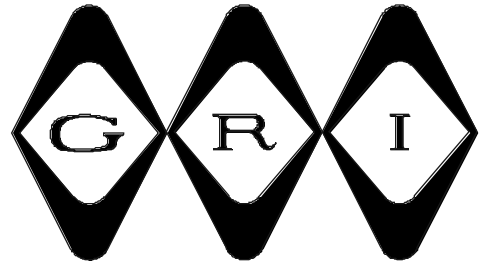


RECESSED 1/2" SHORT SWITCH SET



150RS SERIES

- ◆ 12" #22AWG Leads or Screw Terminals
- ◆ Designed For Hollow Core Doors & Windows
 - ◆ Hole Size Allows For Extra Wire, etc.
 - ◆ 1/2" + Standard Gap
- ◆ Installs Firmly In Wood, Vinyl And Aluminum
- ◆ Recessed Magnetic Contact ◆ Press or Snap Fit
- ◆ Longer Leads, Zip Cord or Jacketed Cable Upon Request
- ◆ Hermetically Sealed ◆ Plated Contacts Resist Sticking or Freezing
 - ◆ Built-in E.O.L. Resistors and Diodes Upon Request
 - ◆ Supervisory Loops Upon Request
 - ◆ Switches and Magnets Available Separately
 - ◆ Color: White & Brown ◆ Lifetime Warranty



150RS-12



150RS-T

PART NUMBERS

Standard Gap 1/2" +
Standard Gap 1/2" +
Standard Gap 1/2" +
Wide Gap 3/4" +
Standard Gap 1/2" +

Closed Loop
150RS-12
150RS-T
N150RS-12
N150RS-12WG
N150RS-T

GEORGE RISK INDUSTRIES, INC.
G.R.I. PLAZA
KIMBALL, NE 69145



MADE IN U.S.A.

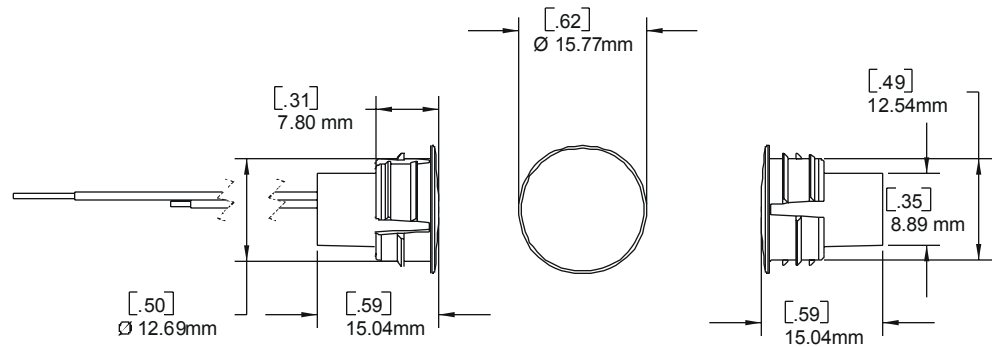
TOLL-FREE 1-800-445-5218
TOLL-FREE 1-800-523-1227
(308) 235-4645 • FAX (308) 235-3561
E-MAIL: grisales@megavision.com
WEB SITE: www.grisk.com



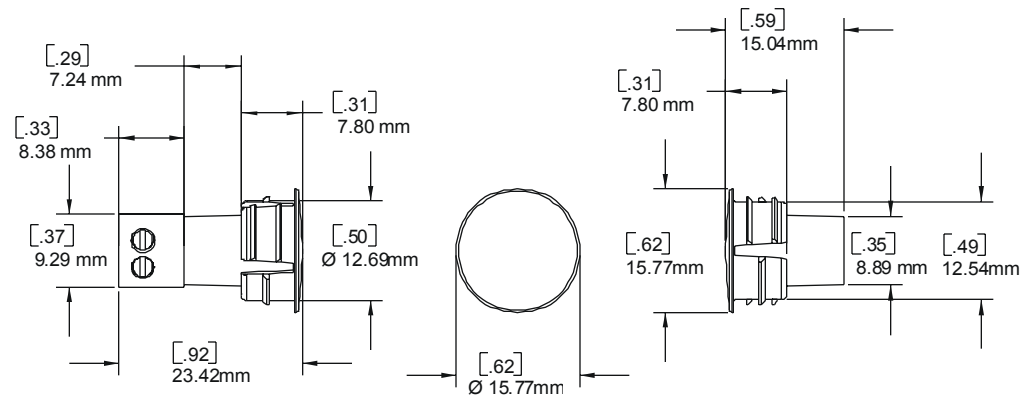
RECESSED 1/2" SHORT SWITCH SET

Larger than 3/8" but smaller than 3/4", the GRI 150RS Series is a one-half inch diameter, flush mount contact. This 1/2" diameter design allows additional "working room" for extra wire, E.O.L. resistors, etc. Manufactured from a special polyvinyl material, the unique collar design will "press-fit" into hollow core aluminum or vinyl clad windows with a "snap-in" fit. The 150RS can be ordered with 12" leads or screw terminals.

The G.R.I. 150RS is paired with a matching 1/2" magnet case to offer the installer a 1/2" + gap. The 150RS switches can also be paired with any of the wide selection of G.R.I. magnets to help resolve difficult installation applications, including our MF-875. Patent Pending.



150RS-12



150RS-T

Minimum General Specifications:

PART NUMBER	LOOP TYPE	SWITCH ELECTRICAL CONFIG.	REED FORM	MAXIMUM INITIAL CONTACT RESISTANCE (Ω)	MAXIMUM CONTACT RATING (W)	MAXIMUM SWITCHING VOLTAGE (VDC/VAC)	MAXIMUM SWITCHING CURRENT (A)
150RS-12	CLOSED	N/O	A	.150	10	200/140	.500
150RS-T	CLOSED	N/O	A	.150	10	200/140	.500
N150RS-12	CLOSED	N/O	A	.150	10	200/140	.500
N150RS-12WG	CLOSED	N/O	A	.150	10	200/140	.500
N150RS-T	CLOSED	N/O	A	.150	10	200/140	.500

WARRANTY:

Lifetime warranty against workmanship, material and factory defects

Contact your GRI Distributor or call:

GEORGE RISK INDUSTRIES, INC.
GRI PLAZA
KIMBALL, NE 69145



MADE IN U.S.A.

TOLL-FREE 1-800-445-5218
TOLL-FREE 1-800-523-1227
(308) 235-4645 • FAX (308) 235-3561
E-MAIL: grisales@megavision.com
WEB SITE: www.grisk.com