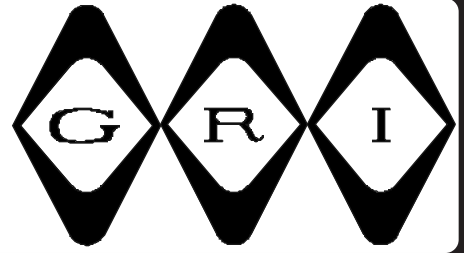


FLUID SENSOR WITH RELAY CONTACT



- ◆ Will Detect Any Conductive Non-Flammable Liquid
- ◆ Ideal Anywhere Liquid Detection Is Required
 - ◆ Automatic Reset
 - ◆ Available In Gray Only
- ◆ 6 Foot Jacketed Lead Standard
- ◆ Custom Lead Lengths Available
 - ◆ 24 Volt AC Sensor



2650

Using no mechanical parts, the GRI Sensors are triggered by a moisture bridge across the sensor contacts. The GRI Sensor can be installed to detect a layer of liquid as minute as 1/16 of an inch in depth.

These Sensors use an external power source to energize a built-in relay contact (battery power is not recommended). Used in an active S.P.D.T. configuration, an alarm condition will occur when moisture is detected, power to the sensor is lost or if the sensor should fail. The relay output can be wired directly to a control panel or can be used to actuate an external device, i.e. transmitter, annunciator, etc., and can be used to monitor evaporative air conditioners, drip pans, overflows and/or drains.

PART NUMBER:

2650

Configuration

S.P.D.T. 24 Volts AC Circuit

GEORGE RISK INDUSTRIES, INC.
G.R.I. PLAZA
KIMBALL, NE 69145



MADE IN U.S.A.

TOLL-FREE 1-800-445-5218
TOLL-FREE 1-800-523-1227
(308) 235-4645

FAX (308) 235-3561

E-MAIL: grisales@megavision.com

WEB SITE: www.grisk.com

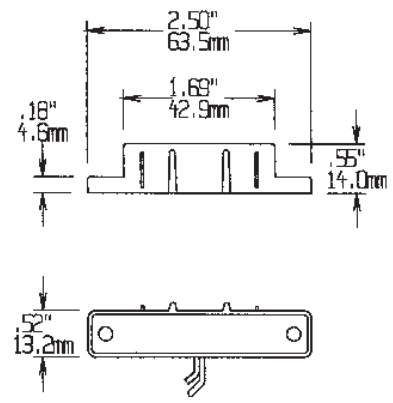


FLUID SENSOR WITH RELAY CONTACT

INSTALLATION NOTES:

G.R.I. 2650: The 2650 is used to detect the presence of fluid and to provide a relay output for signal or control of an external device. The switch operates on 24 Volts AC and functions as a Normally Open or Normally Closed Sensor. The Red and Black wires power the switch while the Brown, White and Green wires are the relay output wires.

After installation these units should be tested with a damp sponge or paper towel and inspected annually. If there is any corrosion or damage the sensor should be replaced.



2650

2650 OPEN LOOP SPECIFICATIONS:

Power Requirements:		
Operating Voltage	24 Volts AC	
Operating Current	12 mA	
Wire Contacts:		
Red Wire	24 V AC	
Black Wire	24 V AC	
Green Wire	} C Form Relay Contact	
White Wire		N.C.
Brown Wire		C N.O.
Contact Characteristics:		
Initial Contact Resistance, max.	100 mΩ	
Nominal Switching Capacity	1 A 30 V DC	
(resistive load)	0.3 A 125 V AC	
Max, Switching Power (resistive load)	30 W, 37.5 V A	
Max, Switching Voltage	110 V DC, 125 V AC	
Max, Switching Current	1 A	

WARRANTY:

One year warranty against workmanship, material and factory defects.

GEORGE RISK INDUSTRIES, INC.
 G.R.I. PLAZA
 KIMBALL, NE 69145



TOLL-FREE 1-800-445-5218
 TOLL-FREE 1-800-523-1227
 (308) 235-4645
 FAX (308) 235-3561
 E-MAIL: grisales@megavision.com
 WEB SITE: www.grisk.com