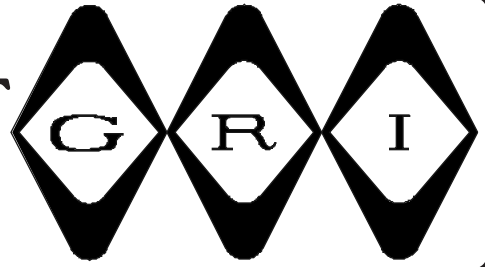
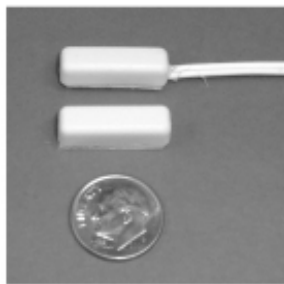


# MICRO SURFACE MOUNT SWITCH SET



## 500 SERIES

- ◆ Ideal For Residential Applications and Areas With Limited Space
  - ◆ Surface Mount Magnetic Contact
    - ◆ 12" #26AWG Leads
  - ◆ Longer Leads, or Zip Cord Upon Request
  - ◆ Plated Contacts Resist Sticking or Freezing
    - ◆ 3M Double Sided Tape Attached
- ◆ Switches and Magnets Available Separately
  - ◆ Colors: White, Brown
  - ◆ Lifetime Warranty



500



502

### PART NUMBERS:

	Closed Loop		Open Loop
Standard Gap 1/4" +	500	End Lead	501
	502	Side Lead	503

GEORGE RISK INDUSTRIES, INC.  
GR.I. PLAZA  
KIMBALL, NE 69145



MADE IN U.S.A.

TOLL-FREE 1-800-445-5218

TOLL-FREE 1-800-523-1227

(308) 235-4645

FAX (308) 235-3561

E-MAIL: [grisales@megavision.com](mailto:grisales@megavision.com)

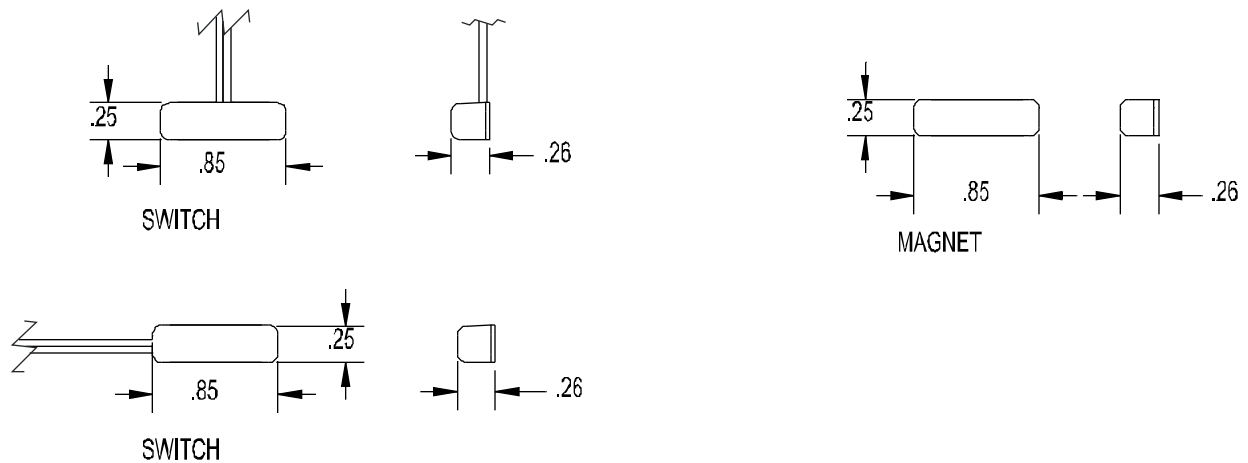
WEB SITE: [www.grisk.com](http://www.grisk.com)



# MICRO SURFACE MOUNT SWITCH SET

## INSTALLATION APPLICATIONS:

The Micro 500 switch is aimed at residential applications where aesthetics and small size play a large consideration in the switch choice. It offers the installer alternative wire configurations, end or side leads, flying leads or zip cord and a choice of wire lengths. All help to make installations and connections quick and easy, saving you time and money. Available in regular gap of 1/4" +. The flexibility of its small overall size allow it to become part of the existing decor. It can be mounted and hidden, for example, in the track of a sliding door or crank out window. Offered in white or brown, with 3M double sided tape attached. Also available as switch only or magnet only.



500

## GRI products meet or exceed these minimum general specifications:

PART NUMBER	LOOP TYPE	ELECTRICAL CONFIG.	REED FORM	MAXIMUM INITIAL CONTACT RESISTANCE (Ω)	MAXIMUM CONTACT RATING (W)	MAXIMUM SWITCHING VOLTAGE (VDC/VAC)	MAXIMUM SWITCHING CURRENT (A)
500	CLOSED	N/O	A	.150	10	200/140	.500
502	CLOSED	N/O	A	.150	10	200/140	.500
501	OPEN	N/C	B	.140	5	175VDC	.250
503	OPEN	N/C	B	.140	5	175VDC	.250

## WARRANTY:

Lifetime warranty against workmanship, material and factory defects.

## CONTACT YOUR G.R.I. DISTRIBUTOR OR CALL:

GEORGERISK INDUSTRIES, INC.  
GRI PLAZA  
KIMBALL, NE 69145



MADE IN U.S.A.

TOLL-FREE 1-800-445-5218  
TOLL-FREE 1-800-523-1227  
(308) 235-4645  
FAX (308) 235-3561

E-MAIL: [grisales@megavision.com](mailto:grisales@megavision.com)  
WEB SITE: [www.grisk.com](http://www.grisk.com)