

# STI AED Protective Cabinets



STI-7533AED



STI-7555AED

## PRODUCT OVERVIEW

Multipurpose cabinets for remote AED (Automated External Defibrillator) units, which require physical or environmental protection. Helps guard against vandalism (accidental or intentional), as well as dirt, dust and grime. Cabinets mount on the wall enabling the unit to be stored in a central location. The cabinets are available with a thumb lock, which helps deter wrongful users from the unit and has an additional eyelet for a secondary safety seal.

## HOW THEY WORK

Cabinets are constructed of clear polycarbonate which allows the unit within to be highly visible from almost any angle. They are molded from the same material used in football helmets. When the cabinet is opened the optional alarm emits an ear piercing siren. The siren/strobe alarm is a combination of alarm and super bright flashing LEDs (shown right). It offers independent strobe and siren timing of 15 seconds, 30 seconds, 60 seconds or continuous. The siren alarm (shown left) emits for 30 seconds, 3 minutes or continuously (as preset by user). A key override will silence the alarm.

## FEATURES

- Clear polycarbonate; constructed from the same material used in football helmets.
- Cabinet is available without alarm, with external siren alarm or siren/strobe alarm.
- Includes a coated steel internal mounting plate with a baked on white enamel finish.
- Additional eyelet can be used for secondary safety seal.
- External mounting tabs or internal drill dimples.
- Complete with mounting hardware and gasket. Tamperproof mounting screws available.
- Design allows visibility at almost any angle and does not require a sign.
- Includes thumb lock and adjustable wire shelf.
- Unlike metal cabinets, this version offers safe, rounded corners. It does not dent and there is no worry of paint chips.
- Typical working properties of polycarbonate are -40° to 250°F (-40° to 121°C).
- Three year guarantee against breakage of polycarbonate in normal use (one year on electro mechanical and electronic components).

### STI-7533AED and STI-7553AED Series

- Visible siren alarm helps deter vandalism and tampering.
- Siren alarm may be set for piercing 105 dB warning horn or softer 95 dB (see STI-6400 for complete alarm details).
- Siren alarm can be set to sound for 30 seconds, 3 minutes or indefinitely (unless disarmed with key supplied or until battery is drained).
- Includes a 9 VDC alkaline battery.

### STI-7535AED and STI-7555AED Series

- Siren/strobe alarm is a combination of alarm and super bright flashing LEDs.
- Independent strobe and siren timing of 15 seconds, 30 seconds, 60 seconds or continuous.
- Siren offers 32 tones (see STI-SA5000 for complete alarm details).
- Alarm has a low battery indicator and is powered by a 9 VDC alkaline battery (not included) or external 12-13 volts.

# STI AED Protective Cabinets

Dimensions and Technical Information

## MODELS AVAILABLE

- STI-7531AED\*** Polycarbonate cover with backplate, wire shelf and thumb lock
- STI-7551AED\*** Polycarbonate cover with backplate, wire shelf and thumb lock
- STI-7533AED** Polycarbonate cover with backplate, wire shelf, thumb lock and siren alarm
- STI-7553AED** Polycarbonate cover with backplate, wire shelf, thumb lock and siren alarm
- STI-7535AED** Polycarbonate cover with backplate, wire shelf, thumb lock and siren/strobe alarm
- STI-7555AED** Polycarbonate cover with backplate, wire shelf, thumb lock and siren/strobe alarm

\*Models with no alarm

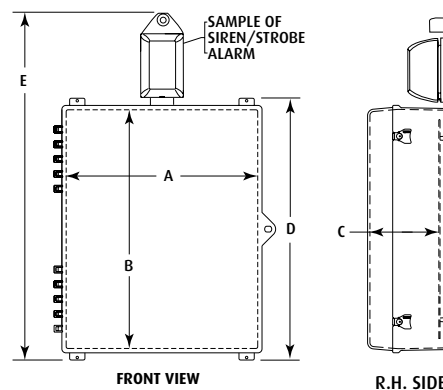
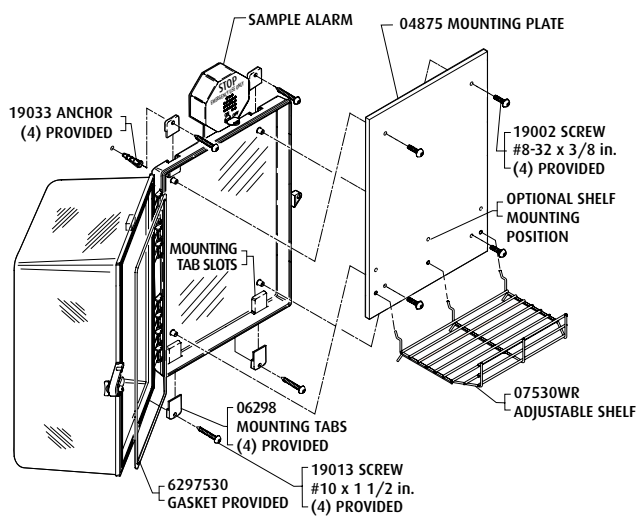
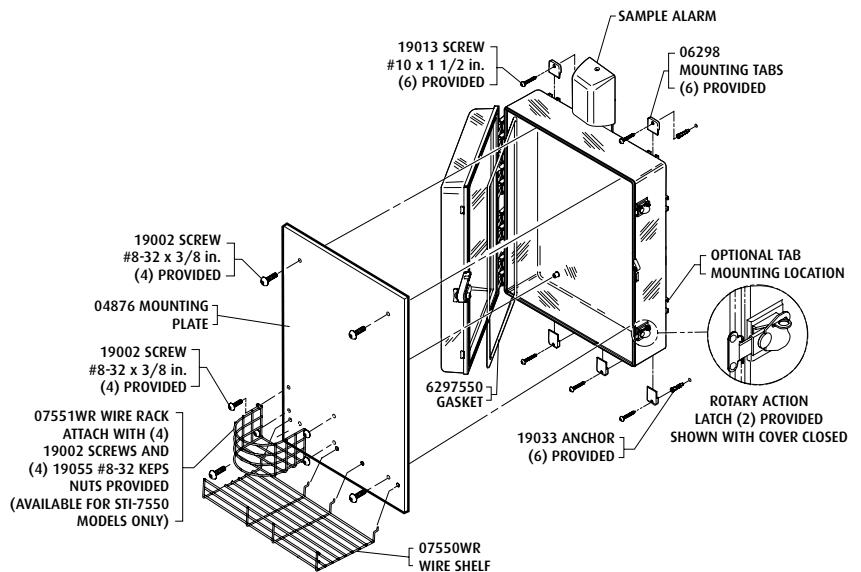
## Accessories

- SUB-65** Optional breakaway ties (5 included)
- AED-LBL** Optional AED Label – 2 included (applied to sides of cabinet; factory installed only)
- STI-6453AED** Replacement siren alarm
- STI-SA5000-R** Replacement audio visual alarm
- SUB-SA505** Replacement key switch mounting plate for audio visual alarm
- 05050-R** Replacement lens red (also available in amber, blue, green or white)
- 07530WR** Wire shelf for STI-7530 series (included)
- 07550WR** Wire shelf for STI-7550 series (included)
- 07551WR** Wire oxygen rack for STI-7550 series (included with STI-7551, STI-7553, STI-7555)
- 18075** Replacement Key for siren/strobe alarm
- 19032** Replacement Key #2341 for siren alarm

## WARRANTY

Three year guarantee against breakage of polycarbonate in normal use (one year on electro mechanical and electronic components).

	A	B	C	D	E
STI-7531AED	12.2 in.	14.2 in.	6.44 in.	16.5 in.	N/A
STI-7533AED	(310mm)	(360mm)	(164mm)	(419mm)	23 in. (584mm)
STI-7535AED					23.5 in. (597mm)
STI-7551AED	19.75 in.	24.75 in.	7.31 in.	27.5 in.	N/A
STI-7553AED	(502mm)	(629mm)	(186mm)	(699mm)	34.7 in. (881mm)
STI-7555AED					35 in. (889mm)



**Safety Technology International, Inc.**

2306 Airport Road  
Waterford, Michigan  
48327, USA

Tel: 248-673-9898  
Fax: 248-673-1246  
Tollfree: 800-888-4784  
info@sti-usa.com  
www.sti-usa.com

Unit 49G Pipers Road  
Park Farm Industrial Estate  
Redditch, Worcestershire  
B98 0HU England

Tel: 44 (0) 1527 520 999  
Fax: 44 (0) 1527 501 999  
Free: 0800 085 1678 (UK)  
www.sti-europe.com