

acenti®

**Premium Grade Collection of Lighting and Fan Speed Controls, Switches, Receptacles, Voice and Data and Wallplates.**



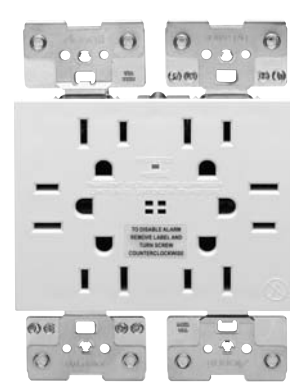
Dimmer/  
Matching Remote  
ATI06-1L/AT00R-1L



Electronic Switch/  
Matching Remote  
ATS15-1L/AT0SR-1L



Triplex Receptacle  
AC315



Sixplex Surge Receptacle  
ACSR6

**KEY PRODUCT FEATURES**

- Efficient construction with consistent form factor, excellent ergonomic traits and precision feel
- Innovative contoured geometry offers an exclusive aesthetic design
- Flawless multi-gang installation with no dividers between devices
- All visible surfaces molded from engineering grade polymer for uniformity and flawless color match
- Subtle, matte finish complements any décor
- Blue LED serves as locator light
- Premium Grade with Five-Year Limited Warranty
- Meet all applicable UL, CSA, NOM and FCC requirements

**STANDARD FEATURES**











- Universal design
- Quiet, crisp actuation, minimal travel
- Alignment plate with positioning pins ensures alignment of devices and wallplate during installation
- Multi-function self grounding clip
- Screwless, snap on engineering grade polymer and metal finish wallplates

**Leviton Mfg. Co., Inc.**

59-25 Little Neck Pkwy, Little Neck, NY 11362-2591 Tech Line: 1-800-824-3005 Fax: 1-800-832-9538 www.acenti.net  
© 2008 Leviton Manufacturing Co., Inc. All rights reserved. Subject to change without notice.




## DIMMERS AND FAN SPEED CONTROLS NOM

### For Single Pole, 3-Way or More Applications

Description	Rating (For Multigang Installation see Derating Chart)	Cat. No.	Description	Rating (For Multigang Installation see Derating Chart)	Cat. No.
 Incandescent Dimmer with LED Locator and Brightness Display	600W-120VAC	ATI06-1L	 Fluorescent Dimmer for Mark 10® Powerline or Tu-Wire® Ballasts with LED Locator and Brightness Display; Neutral required	1000VA- 120VAC	ATX10-1L
 Magnetic Low Voltage Dimmer with LED Locator and Brightness Display	600VA-120VAC	ATM06-1L	 Fluorescent Dimmer for Mark 10® Powerline Ballasts, with LED Locator and Brightness Display; Neutral required	1200VA- 277VAC	ATX12-7L
 Incandescent/Magnetic Low Voltage Dimmer with LED Locator and Brightness Display	1000W-120VAC Incandescent 1000VA-120VAC Magnetic Low Voltage	ATM10-1L	 Fluorescent Dimmer for Hi-lume® or Eco-10® (Eco-Series) Ballasts, with LED Locator and Brightness Display; Neutral required	8A-120VAC	ATH08-1L
 Electronic Low Voltage Dimmer with LED Locator and Brightness Display; Neutral required	400W-120VAC	ATE04-1L	 Fluorescent Dimmer for Hi-lume® or Eco-10® (Eco-Series) Ballasts, with LED Locator and Brightness Display; Neutral required	6A-277VAC	ATH06-7L
 Electronic Low Voltage Dimmer with LED Locator and Brightness Display; Neutral required	600W-120VAC	ATE06-1L	 Quiet Fan Speed Control with LED Locator and Fan Speed Display; Neutral required	1.5A-120VAC	ATF01-1L

## DIMMER REMOTES NOM



### For 3-Way or More Applications


Description	Rating	Cat. No.	Description	Rating	Cat. No.
 Coordinating Dimmer Remote to 120VAC Dimmers/Fan Speed Controls for 3-way or up to 10 location applications (No LEDs). Neutral required when used with a device that requires a neutral connection	No load rating 120VAC	AT00R-10	 Matching Remote to 277VAC Dimmers for 3-way or up to 5 location applications, with LED Locator and Brightness Display; Neutral required	No load rating 277VAC	AT00R-7L
 Matching Dimmer Remote to Dimmers/Fan Speed Control for 3-way or up to 5 location applications, with LED Locator and Brightness/Fan Speed Display; Neutral required	No load rating 120VAC	AT00R-1L			

**Leviton Mfg. Co., Inc.**



59-25 Little Neck Pkwy, Little Neck, NY 11362-2591 Tech Line: 1-800-824-3005 Fax: 1-800-832-9538 www.acenti.net  
© 2008 Leviton Manufacturing Co., Inc. All rights reserved. Subject to change without notice.



**ACENTI ELECTRONIC SWITCHES**   **NOM**



Description	Rating	Cat. No.
 Electronic Switch with LED Locator for single pole, 3-way or more applications; Neutral required	15A-120VAC	ATS15-1L
 Coordinating Switch Remote for 3-way or up to 10 location applications (No LEDs). Neutral required when used with a device that requires a neutral connection	No load rating 120VAC	AT0SR-10

Description	Rating	Cat. No.
 Matching Switch Remote for 3-way or up to 5 location applications, with LED Locator; Neutral connection required	No load rating 120VAC	AT0SR-1L




**ACENTI ELECTROMECHANICAL SWITCHES**   **NOM**




Description	Rating	Cat. No.
 Single Pole Electromechanical Switch with LED Locator	20A-120VAC	AC201-1L
 Single Pole Electromechanical Switch with LED Locator	20A-277VAC	AC201-7L

Description	Rating	Cat. No.
 3-Way Electromechanical Switch with LED Locator	20A-120VAC	AC203-1L
 3-Way Electromechanical Switch with LED Locator	20A-277VAC	AC203-7L




Description	Rating	Cat. No.
 4-Way Electromechanical Switch with LED Locator	20A-120VAC	AC204-1L
 4-Way Electromechanical Switch with LED Locator	20A-277VAC	AC204-7L

**ACENTI RECEPTACLES**   **NOM**


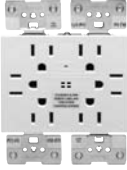
Description	Rating	Cat. No.
 15A Triplex Receptacle	15A-125V NEMA 5-15R	AC315
 15A Duplex Receptacle	15A-125V NEMA 5-15R	AC215
 15A Tamper-Resistant (TR) Duplex Receptacle	15A-125V NEMA 5-15R	AC215-T

Description	Rating	Cat. No.
 20A Triplex Receptacle	20A-125V NEMA 5-20R	AC320
 20A Duplex Receptacle	20A-125V NEMA 5-20R	AC220
 20A Tamper-Resistant (TR) Duplex Receptacle	20A-125V NEMA 5-20R	AC220-T

## GFCI (GROUND FAULT CIRCUIT INTERRUPTER) RECEPTACLES NOM

Description	Rating	Cat. No.	Description	Rating	Cat. No.
 15A Duplex GFCI Receptacle	15A-125V NEMA 5-15R Receptacle, 20A-125V Feed-Through	ACGF1	 20A Duplex GFCI Receptacle	20A-125V NEMA 5-20R Receptacle 20A-125V Feed-Through	ACGF2
 15A Tamper-Resistant (TR) Duplex GFCI Receptacle	15A-125V NEMA 5-15R Receptacle, 20A-125V Feed-Through	ATGF1			

## SURGE RECEPTACLES NOM

Description	Rating	Cat. No.	Description	Rating	Cat. No.
 Duplex Receptacle with Indicator Light and Audible Alarm	15A-125V NEMA 5-15R	ACSSR	 Sixplex Receptacle with Indicator Light and Audible Alarm	15A-125V NEMA 5-15R	ACSR6

**WALLPLATES AND ACCESSORIES**   **NOM**

**Wallplates**

**Screwless, Snap-On Wallplates**


- Alignment plate with positioning pins ensures alignment of devices and wallplate during installation
- For all Acenti devices
- Available in engineering grade polymer—See Acenti Colors at bottom of page.
- Also available in polished chrome (-PCH), brushed stainless steel (-STS) and 24 karat gold (-24K) finishes

Description	Engineering Grade Polymer	Polished Chrome	Brushed Stainless Steel	24K Gold
1-Gang	ACWP1	ACWM1-PCH	ACWM1-STC	ACWM1-24K
2-Gang	ACWP2	ACWM2-PCH	ACWM2-STC	ACWM2-24K
3-Gang	ACWP3	ACWM3-PCH	ACWM3-STC	ACWM3-24K
4-Gang	ACWP4	ACWM4-PCH	ACWM4-STC	ACWM4-24K
5-Gang	ACWP5	ACWM5-PCH	ACWM5-STC	ACWM5-24K
6-Gang	ACWP6	ACWM6-PCH	ACWM6-STC	ACWM6-24K
Blank wallplate insert	ACW14	—	—	—



**VOICE AND DATA**   **NOM**

- Use with Quickport® Snap-In connectors for data, audio and video applications
- Compatible with complete line of Acenti screwless, snap-on wallplates

Quickport® Snap-In Connectors				Quickport® Wallplate Inserts		
Description	Cat. No.	Description	Cat. No.	Description	Cat. No.	
Cat 5e Jack	AC108-R*5	Banana Jack w/Black Stripe	AC837-B*E		2-Port Insert	AC642
RCA Jack w/Red Stripe	AC830-B*R	Binding Post w/Red Stripe	AC833-B*R		3-Port Insert	AC643
RCA Jack w/Black Stripe	AC830-B*E	Binding Post w/Black Stripe	AC833-B*E		4-Port Insert	AC644
RCA Jack w/Yellow Stripe	AC830-B*Y	BNC Adapter, Nickel-Plated	AC084-B*F		6-Port Insert	AC646
RCA 110 Termination, Orange Barrel	AC735-RO*	BNC Adapter, Gold-Plated	AC832-0B*			
RCA 110 Termination, Red Barrel	AC735-RR*	F-Type Adapter, Nickel-Plated	AC084-F*F			
RCA 110 Termination, White Barrel	AC735-RW*	F-Type Adapter, Gold-Plated	AC831-0B*			
RCA 110 Termination, Yellow Barrel	AC735-RY*	Blank Insert	AC084-B*B			
Banana Jack w/Red Stripe	AC837-B*R	S-Video Module, 110 Termination	AC734-SV*			

**ACENTI COLORS**

All Acenti devices are available in eight designer colors. To order a color, add suffix indicated below to the catalog number:

Alabaster (-W), Natural (-A), Slate (-G), Onyx (-E), Driftwood (-D), Sand (-S), Quartz (-Q), Cocoa (-C)

For Quickport Snap-In Connectors:  
Insert color designation where (\*) is indicated.

Wallplates Only:  
Polished Chrome (-PCH), Stainless Steel (-STS), 24k Gold (-24K)

**Acenti® Premium Grade Collection**

### DERATING/MAXIMUM CAPACITY

Acenti controls do not have side sections. In multi-gang installations, fin removal is not required but devices must be derated in accordance with the following charts.

#### ATI06 Incandescent Dimmer (Minimum load: 40W)

Gang	Maximum Wattage
------	-----------------

1	600W
2	600W
3 or more	500W

#### ATM06 Magnetic Low Voltage Dimmer (Minimum load: 40VA)

Gang	Maximum VA	Maximum Bulb Wattage with 75% efficient transformer
------	------------	---

1	600VA	450W
2	600VA	450W
3 or more	500VA	375W

#### ATM10 Incandescent/Magnetic Low Voltage (Minimum load: 40W/VA)

Gang	Incandescent Maximum Wattage	Magnetic Low Voltage Maximum VA	Magnetic Low Voltage Maximum Bulb Wattage with 80% efficient transformer
------	------------------------------	---------------------------------	--

1	1000W	1000VA	800W
2	800W	800VA	640W
3 or more	650W	650VA	520W

#### ATE04 Electronic Low Voltage Dimmer

Gang	Maximum Wattage
------	-----------------

1	400W
2	350W
3 or more	250W

#### ATE06 Electronic Low Voltage Dimmer

Gang	Maximum Wattage
------	-----------------

1	600W
2	500W
3 or more	400W

#### ATX10 Fluorescent Dimmer for Mark 10® Powerline or Tu-Wire® Ballasts

Gang	Maximum VA
------	------------

1	1000VA
2	800VA
3 or more	650VA

#### ATX12 Fluorescent Dimmer for Mark 10® Powerline Ballasts

1200VA-277VAC	No derating required
---------------	----------------------

#### ATH08 Fluorescent Dimmer for Hi-lume® or Eco-10® (Eco-Series) Ballasts

8A-120VAC	No derating required
-----------	----------------------

#### ATH06 Fluorescent Dimmer for Hi-lume® or Eco-10® (Eco-Series) Ballasts

6A277VAC	No derating required
----------	----------------------

#### ATF01 Quiet Fan Speed Control

1.5A-120VAC	No derating required
-------------	----------------------

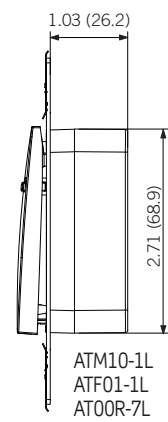
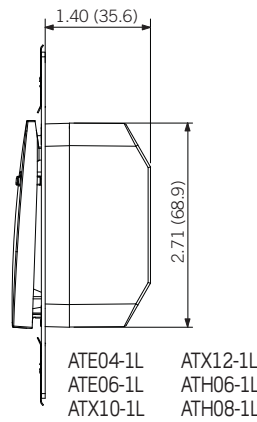
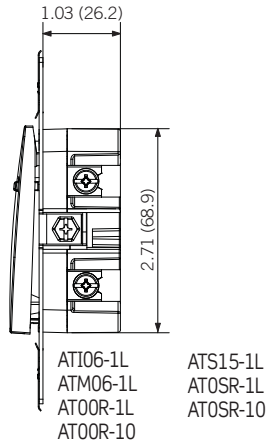
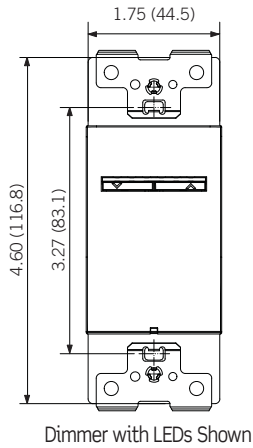
#### Leviton Mfg. Co., Inc.

59-25 Little Neck Pkwy, Little Neck, NY 11362-2591 Tech Line: 1-800-824-3005 Fax: 1-800-832-9538 www.acenti.net

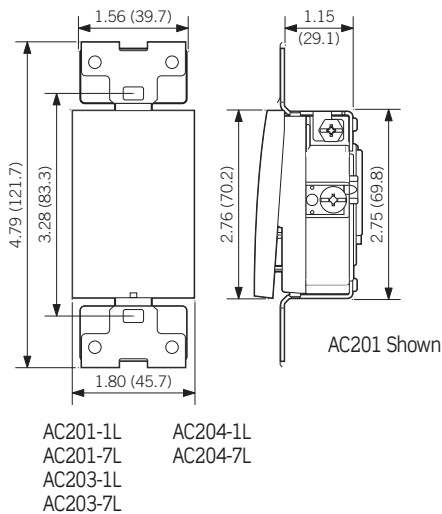
© 2008 Leviton Manufacturing Co., Inc. All rights reserved. Subject to change without notice.

**DIMENSIONS**

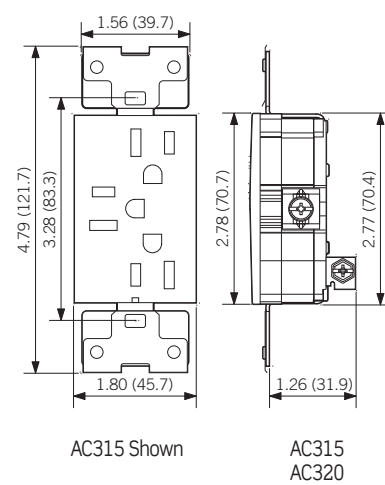
All Dimmers, Quiet Fan Speed Control, Electronic Switch, Matching and Coordinating Dimmer and Switch Remotes



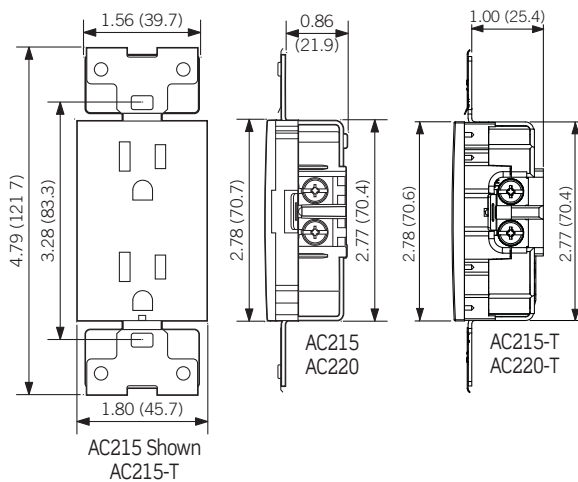
**Electromechanical Switch**



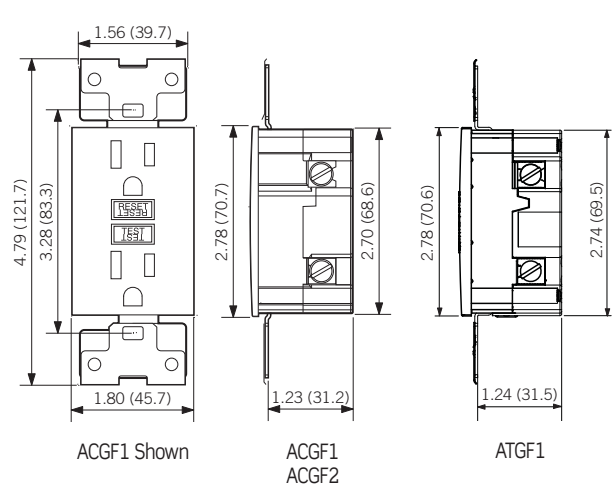
**Triplex Receptacle**



**Duplex and TR Duplex Receptacle**

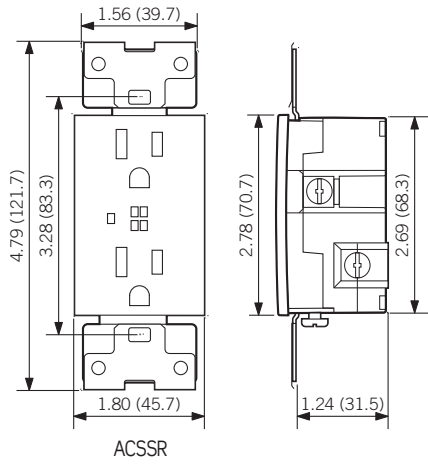


**GFCI and TR GFCI Receptacle**

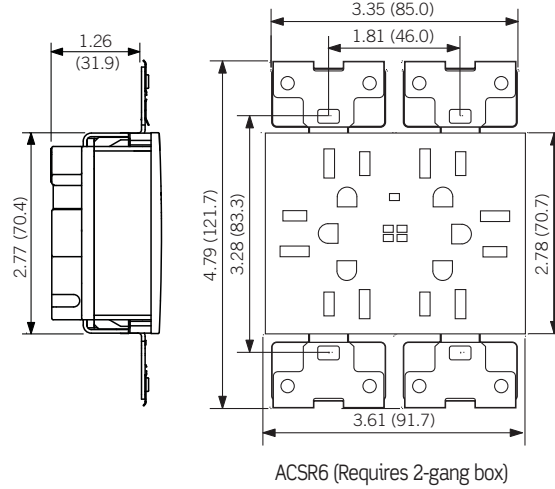


## DIMENSIONS

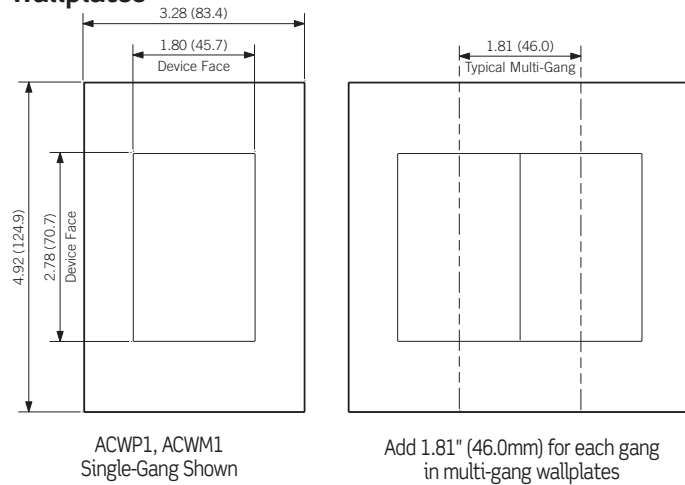
### Duplex Surge Receptacle



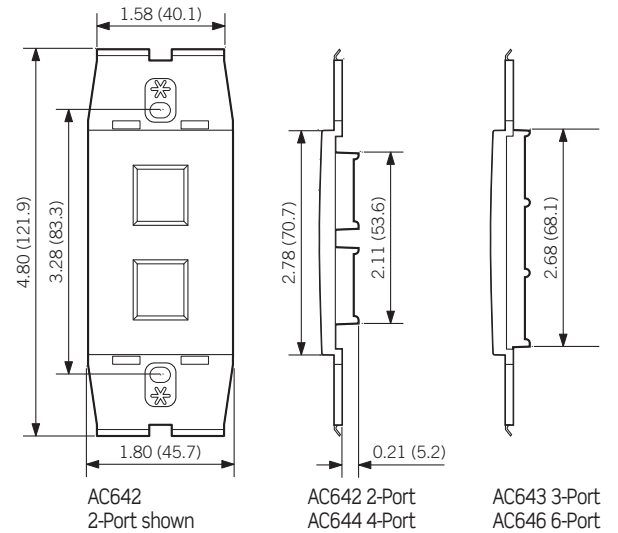
### Sixplex Surge Receptacle



### Wallplates



### Voice & Data Quickport® Wallplate Inserts





**WIRING DIAGRAMS**

**Diagram 1**

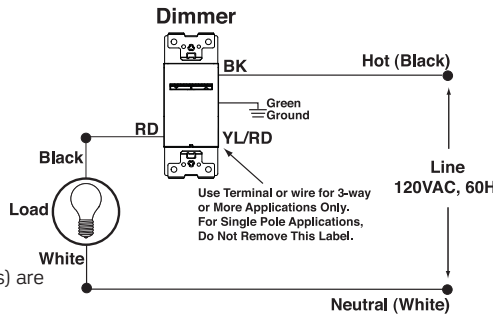
Single pole wiring for incandescent or magnetic low voltage dimmer.

**Dimmers**

- ATI06
- ATM06
- ATM10

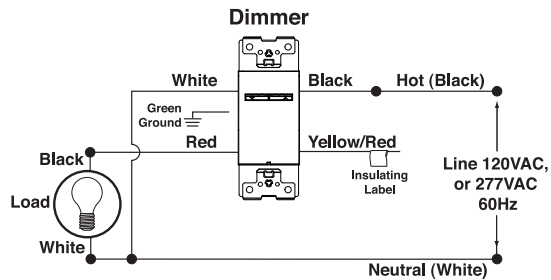
**NOTES:**

- 1) ATI06 and ATM06 have screw terminals, ATM10 has leads
- 2) Red and Black leads (or terminals) are interchangeable



**Diagram 2**

Single pole wiring for electronic low voltage dimmers, Mark 10® Powerline dimmers, fan speed control or switch.



**Dimmers**

- ATE04
- ATE06
- ATX10
- ATX12-7L

**Fan Speed Control**

ATF01

**Switch**

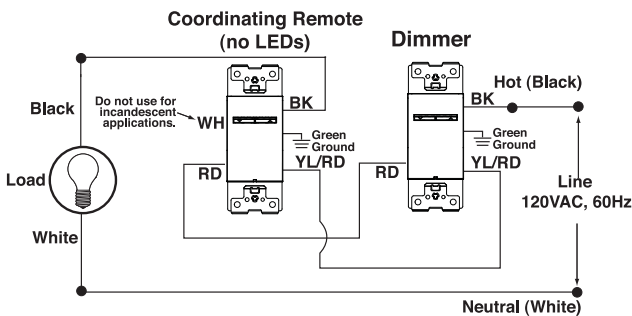
ATS15

**NOTES:**

- 1) ATS15 has screw terminals, ATE04, ATE06, ATX10, ATX12-7L and ATF01 have leads

**Diagram 3**

3-way wiring for incandescent or magnetic low voltage dimmers with coordinating remote.



**Dimmers**

- ATI06
- ATM06
- ATM10

**Coordinating Dimmer Remote**

AT00R-10

**Coordinating Switch Remote**

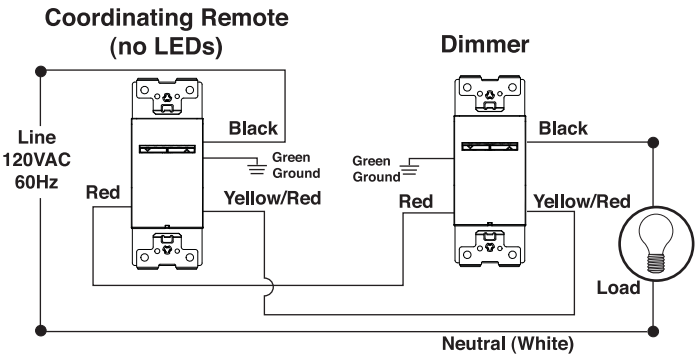
AT0SR-10

**NOTES:**

- 1) ATI06, ATM06 and AT00R-10 have screw terminals, ATM10 has leads
- 2) Black connections are interchangeable (see Diagram 4)
- 3) Silver terminal on coordinating remote is unused

**Diagram 4**

Alternate 3-way wiring for incandescent or magnetic low voltage dimmer with coordinating remote.



**Dimmers**

- ATI06, ATM06, ATM10

**Coordinating Dimmer Remote**

AT00R-10

**Coordinating Switch Remote**

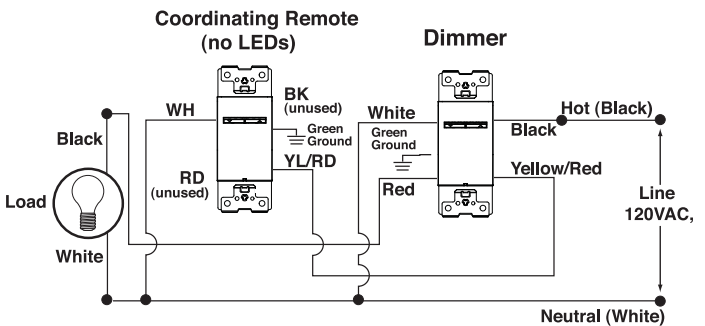
AT0SR-10

**NOTES:**

- 1) ATI06, ATM06 and AT00R-10 have screw terminals, ATM10 has leads
- 2) Black connections are interchangeable (see Diagram 3)
- 3) Silver terminal on coordinating remote is unused

**Diagram 5**

3-way wiring for electronic low voltage dimmer, Mark 10® Powerline dimmer, fan speed control or switch with coordinating remote.



**Dimmers**

- ATE04, ATE06, ATX10

**Coordinating Dimmer Remote**

AT00R-10

**Fan Speed Control**

ATF01

**Coordinating Switch Remote**

AT0SR-10

**Switch**

ATS15

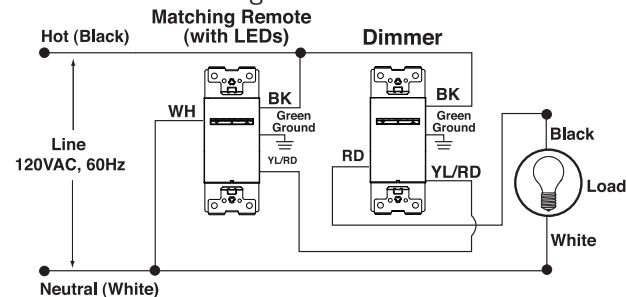
**NOTES:**

- 1) ATS15, AT0SR-10 and AT00R-10 have screw terminals, ATE04, ATE06, ATX10 and ATF01 have leads
- 2) Black and Red terminals on coordinating remotes are unused

## WIRING DIAGRAMS

### Diagram 6

3-way wiring for incandescent or magnetic low voltage dimmer with matching remote.



#### Dimmers

ATI06  
ATM06  
ATM10

#### Matching Dimmer Remote

AT00R-1L

#### Matching Switch Remote

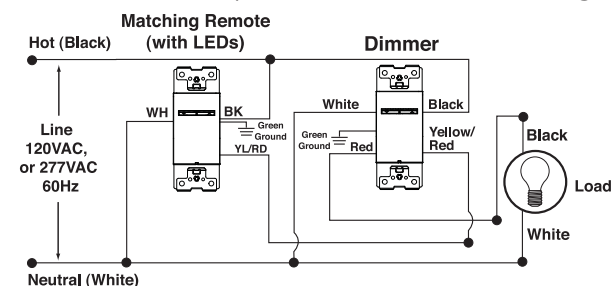
AT0SR-1L

#### NOTES:

- ATI06, ATM06, AT00R-1L and AT0SR-1L have screw terminals, ATM10 has leads

### Diagram 7

3-way wiring for electronic low voltage dimmer, Mark 10® Powerline dimmer, fan speed control or switch with matching remote.



#### Dimmers

ATE04  
ATE06  
ATX10  
ATX12-7L

#### Fan Speed Control

ATF01

#### Switch

ATS15

#### Matching Dimmer Remotes

AT00R-1L  
AT00R-7L

#### Matching Switch Remote

AT0SR-1L

#### NOTES:

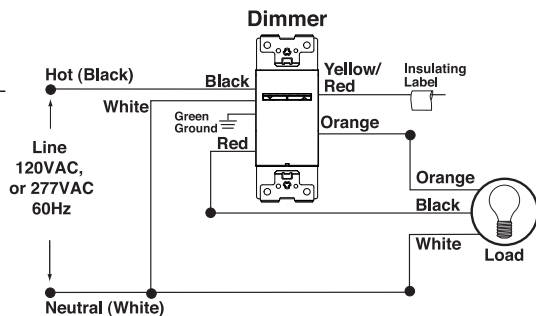
- ATS15, AT0SR-1L and AT00R-1L have screw terminals, ATE04, ATE06, ATX10, ATF01, ATX12-7L and AT00R-7L have leads

### Diagram 8

Single pole wiring for Hi-lume® fluorescent dimmer

#### Dimmers

ATH08  
ATH06-7L



### Diagram 9

3-way wiring for Hi-lume® fluorescent dimmer with coordinating remote.

#### Dimmer

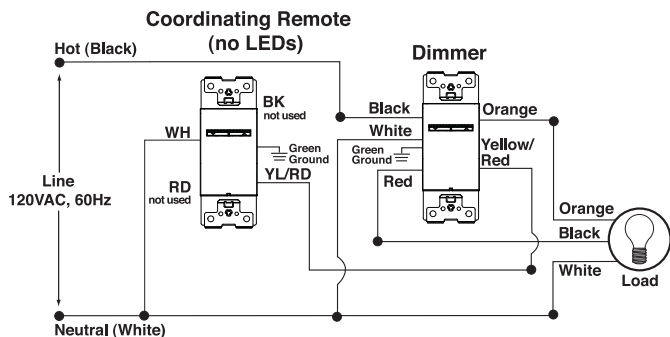
ATH08

#### Coordinating Dimmer Remote

AT00R-10

#### Coordinating Switch Remote

AT0SR-10



#### NOTES:

- Coordinating remote AT00R-10 and AT0SR-10 have screw terminals, ATH08 has leads
- Black and Red terminals on coordinating remote are unused

### Diagram 10

3-way wiring for Hi-lume® fluorescent dimmer with matching remote.

#### Dimmers

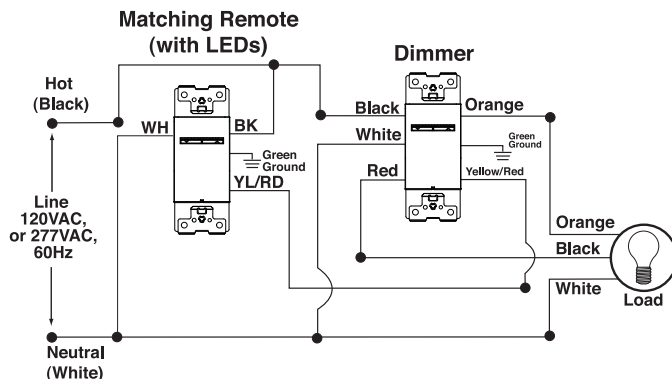
ATH06-7L  
ATH08-1L

#### Matching Dimmer Remotes

AT00R-1L  
AT00R-7L

#### Matching Switch Remote

AT0SR-1L

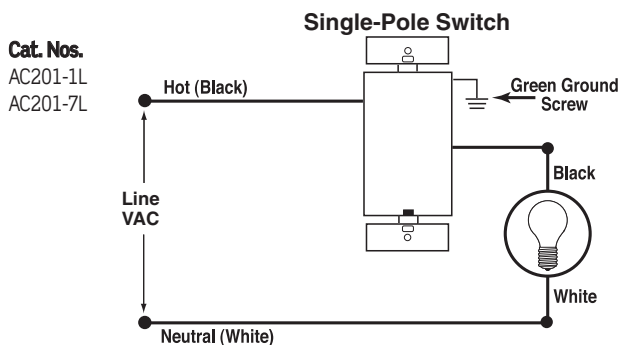


#### NOTES:

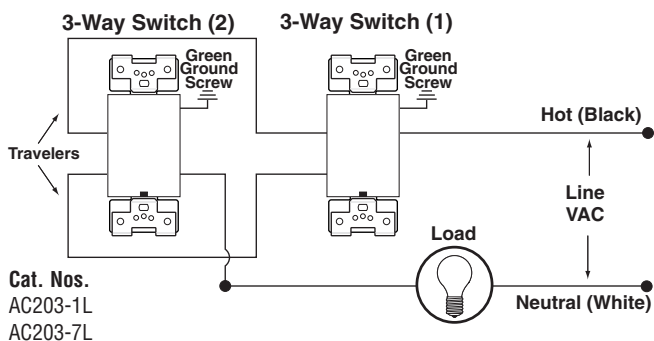
- AT00R-1L has screw terminals, ATH08-1L, ATH06-7L and AT00R-7L have leads

WIRING DIAGRAMS

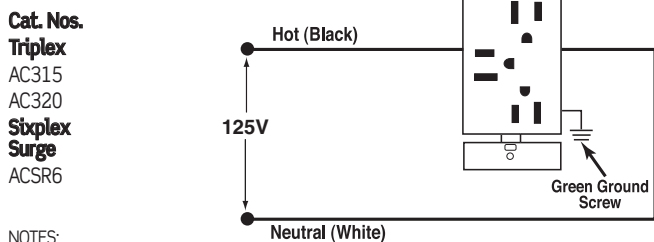
**Diagram 11**  
Single-pole wiring for 20A electromechanical switch



**Diagram 12**  
3-Way wiring for 20A electromechanical switches

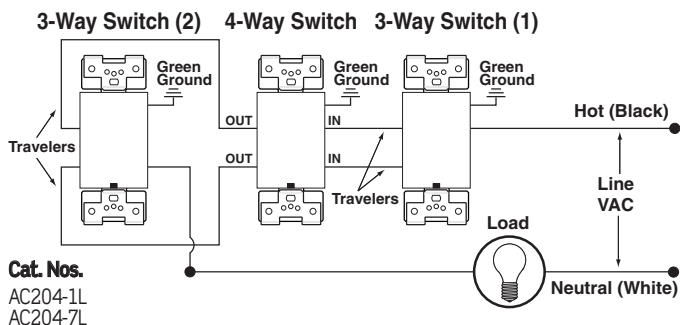


**Diagram 13**  
Triplex Receptacle Wiring  
Sixplex Surge Receptacle Wiring

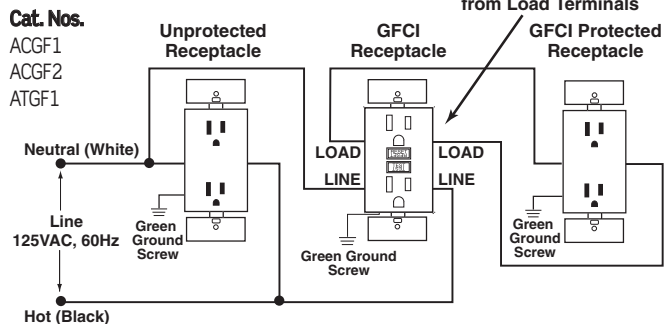


NOTES:  
1) AC315 and AC320 Triplex have screw terminals  
2) ACSR6 Sixplex Surge has Black, White and Green leads

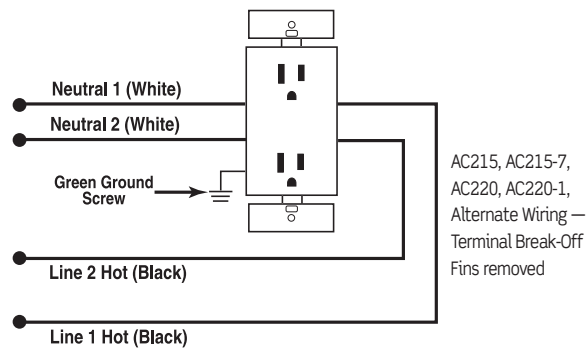
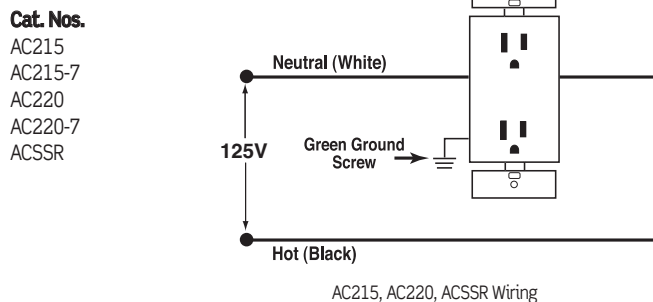
**Diagram 14**  
4-Way wiring for 20A electromechanical switches



**Diagram 15**  
GFCI Receptacle Wiring



**Diagram 16**  
Duplex Receptacle Wiring  
Duplex Surge Receptacle Wiring



## PART 1 — GENERAL

### 1.01 SUMMARY

- A. Section Includes: Acenti-style switches, dimmers, fan speed control (and corresponding remote units), receptacles, wallplates and related devices as specified herein for the areas indicated on the drawings, specifications, and load schedule.
- B. Related Sections: Section 16570 (Dimming Controls), Section 16580 (Ballasts)

### 1.02 REFERENCES

#### A. Acenti Lighting Controls:

1. UL Standard 1472
2. CSA Standard C22.2 No. 184-M1988
3. IEC Level 4 Surge and Fast Transients
4. California Title 24
5. UL Standard 1472
6. FCC Part 15, Class B for Residential Compliance
7. MIL. STD 105 or ANSI Z1.4
8. UL Listed (File #E-31373)
9. CSA Certified (File #LR-3413)
10. NOM Certified (#057)

#### B. Acenti Switches:

1. UL 20
2. NEMA WD-1 & WD-6
3. CSA Standard C22.1 No. 111
4. UL Listed (File #E-7458)
5. CSA Certified (File #LR-152105)
6. NOM Certified (#057)

#### C. Acenti Receptacles

1. All Receptacles
  - a. NEMA WD-1 & WD-6
  - b. UL 498
  - c. CSA C22.2 No. 42
  - d. NOM Certified (#057)
2. Triplex and Duplex Receptacles
  - a. UL Listed (File #E-13399)
  - b. CSA Certified (File #LR-152105)
  - c. NOM Certified (#057)
3. Sixplex and Duplex Surge Protective Receptacles
  - a. UL Listed (File #E-13399)
  - b. CSA Certified (File #MC152105/LR-406)
  - c. NOM Certified (#057)
4. GFCI Receptacles
  - a. UL 943 Class A (File #E-48380)
  - b. CSA Certified (File #LR-57811)
  - c. NOM Certified (#057)

#### D. Wallplates

1. All Wallplates
  - a. UL 514D (File #E-13397)
  - b. CSA C22-2 No. 42.1 (File #152105)
  - c. NEMA WD-1 & WD-6
  - d. NOM Certified (#057)

#### E. Voice & Data

1. Quickport Wallplate Inserts
  - a. NEMA WD-1 & WD-6
  - b. UL 1863
  - c. CSA Certified
  - d. NOM Certified (#057)

### 1.03 SYSTEM DESCRIPTION

- A. Permanently installed, wallbox mounted switches, dimmers and corresponding remote units
- B. Permanently installed, wallbox mounted fan speed control and corresponding remote units
- C. Permanently installed, wallbox mounted receptacles, including triplex, duplex, surge protective and GFCI
- D. Permanently installed, wallbox mounted voice, data and cable jacks
- E. Screwless, snap-on wallplates

### 1.04 SUBMITTALS

- A. Submit manufacturer's standard catalog data giving all product, application, wiring, and installation information on all basic components and wallplates. Provide test data and/or samples for finish, color and texture as required to demonstrate conformance with PART 2 of this specification.

### 1.05 QUALITY ASSURANCE

- A. Manufacturer shall have a minimum of 20 years continuous experience in the manufacture of wallbox mounted dimming products.
- B. Dimmers, switches and fan speed control shall be UL Listed and CSA approved specifically for each required load (tungsten, electronic low voltage ballast, magnetic low voltage ballast, Mark 10® Powerline fluorescent, and Hi-lume® fluorescent). Manufacturer shall provide file card or certificate upon request. Universal load type dimmers shall not be acceptable.
- C. Source Limitations: To assure compatibility, all dimming controls shall be obtained from a single source with complete responsibility over all lighting controls, including accessory products. The use of subcontracted component assemblers is not acceptable.
- D. Manufacturer shall be ISO 9001 certified and provide a copy of the certificate upon request.

### 1.06 WARRANTY

- A. Manufacturer's Warranty: All equipment shall be warrantied free of defects in materials and workmanship.
  1. Warranty Period: Five years from date of purchase
  2. Owner Rights: Manufacturer's warranty is in addition to, not a limitation of, other rights the Owner may have under contract documents.

## PART 2 — PRODUCTS

### 2.01 ACCEPTABLE MANUFACTURERS

- A. Leviton Manufacturing Co., Inc.
- B. Unless otherwise noted, all basic components (dimmer, fan speed control, switch and corresponding remote units; receptacle; voice, data and cable jack; and wallplates) shall be provided by one manufacturer.

### 2.02 EQUIPMENT

#### A. Leviton Acenti Lighting Controls and Switches

##### 1. Performance

- a. Controls shall provide full range, continuously variable control of light intensity.
- b. Dimmers require 40W minimum load.
- c. Controls shall fit in the Acenti wallplate opening only. Controls shall be thin profile with no exposed heat sink/yoke and shall fit in a single gang 18 cubic inch wallbox. All controls shall have a matte finish.
- d. Controls shall provide single pole, 3-way, or multi-location control with choice of Acenti remote devices.
- e. Matching Dimmer Remote AT00R-1L/-7L shall provide blue LED Locator and LED Brightness display and shall provide 3-way or up to 5 location control. Matching Remote shall require neutral connection.
- f. Coordinating Dimmer Remote AT00R-10 shall provide 3-way or up to 10 location control and shall require neutral connection in specific applications.
- g. Coordinating Switch Remote AT0SR-10 shall provide 3-way or up to 10 location control and shall require neutral connection in specific applications.
- h. Controls shall provide air gap switch to totally disconnect power from load during OFF condition. Air gap switch shall be concealed during normal operation and shall be accessible without removing wallplate.
- i. Lighted controls shall provide a blue LED locator light that shall illuminate when the lights are OFF to facilitate easy access in the dark.

### Leviton Mfg. Co., Inc.

59-25 Little Neck Pkwy, Little Neck, NY 11362-2591 Tech Line: 1-800-824-3005 Fax: 1-800-832-9538 www.acenti.net

- j. Controls shall provide a Dim/Bright bar that allows light level (or fan speed) to be set by the user. A 7-step LED indicator shall be integrated in the push pad to show relative load status. Push Pad with return-to-neutral design shall provide preset ON/OFF control independent of Dim/Bright bar. Push Pad and Dim/Bright bar shall be ergonomically designed for precise tactile quality with distinct actuation confirmation.
- k. Controls shall provide a default setting in which Push Pad preset ON switching returns lights to last selected level.
- l. Controls shall provide switching from OFF to maximum brightness when Push Pad is pressed and held.
- m. Controls shall provide intuitive “house guest” feature allowing lights to be dimmed to OFF by pressing and holding the Dim/Bright bar. Preset level shall not be changed.
- n. Controls shall provide an adjustable minimum brightness setting to accommodate lighting loads with a minimum turn on voltage.
- o. Programmable settings for Energy Save, minimum brightness level, preset ON, almost OFF, ON fade rate, OFF fade rate, LED options and restore defaults shall not require tools or wallplate removal.
- p. Controls shall provide an Energy Save mode that allows the user to adjust the maximum brightness level to reduce energy consumption. (Default setting is 100% maximum brightness setting).
- q. Controls shall provide the ability to change the selected brightness level by pressing the Dim/Bright bar while the lights are OFF. LED display shall show selected level.
- r. Controls shall provide a Preset ON feature that allows the user to set the brightness level that the lights will turn on to, regardless of the previous light level at which it was turned OFF. (Default setting is preset ON inactive.)
- s. Controls shall provide an Almost OFF feature that allows the user to set the brightness level that lights will dim to when the push pad is pressed to turn OFF. In this mode, the lights will remain ON. (Default setting is OFF.)
- t. Controls shall provide a selectable fade rate for ON and OFF switching. Default setting shall be .5 seconds for ON and .5 seconds for OFF.
- u. Controls shall provide a means to timeout the locator light and/or LED Brightness display.
- v. Controls shall provide a means to reactivate the factory default settings.
- w. Within rated capacity, dimmers shall be available for direct control of incandescent, electronic low voltage, magnetic low voltage, Mark 10® *Powerline* fluorescent ballasts, and Hi-lume® or Eco-10® (Eco-Series) fluorescent ballast loads. Fan speed control and switches shall also be available.
- x. Controls shall be derated in accordance with manufacturer’s specifications in multi-gang installations.
- y. Controls shall provide transient surge protection to IEC Level 4.
- z. Controls shall provide ESD protection to IEC 1000 4-2 Level 4 to protect against damage and memory loss due to static discharges.
  - aa. Dimmers shall provide RFI filtering for radio, audio, and video equipment.
  - bb. Controls shall incorporate power failure memory. Should power be interrupted and subsequently returned, the lights or fans will come back on to the last level set prior to the power interruption.
  - cc. Controls shall operate in an ambient temperature range of 0°C (32°F) to 55°C (131°F).

**2. Incandescent Dimmers**

- a. Dimmers shall have a maximum output of no less than 95% of line voltage.
- b. AT106 rated for 600W of 120V incandescent load shall provide 4 terminal screws for Line, Load, Remote and Ground.
- c. ATM10 rated for 1000W of 120V incandescent load shall provide 4 wire leads for Line, Load, Remote and Ground.

**3. Electronic Low Voltage (ELV) Dimmers**

- a. Dimmers shall contain circuitry specifically designed to control the input of electronic (solid state) low voltage transformers. Dimmers using standard phase control shall not be acceptable.
- b. ATE04 (400W) and ATE06 (600W) dimmers shall have a resettable overload protection that automatically shuts off when dimmer capacity is exceeded.
- c. Dimmers shall provide 5 wire leads for Line, Load, Neutral, Remote and Ground.

**4. Magnetic Low Voltage (MLV) Dimmers**

- a. ATM06 shall provide direct control of up to 600VA of 120V magnetic low voltage load and shall provide 4 terminal screws for Line, Load, Remote and Ground.
- b. ATM10 shall provide direct control of up to 1000VA of 120V magnetic low voltage load and shall provide 4 wire leads for Line, Load, Remote and Ground.
- c. Dimmer shall contain circuitry specifically designed to control and provide a symmetrical AC waveform to the input of magnetic low voltage transformers per UL 1472 section 5.11.
- d. Dimmer shall not cause a magnetic low voltage transformer to operate above the transformers rated operating current or temperature.
- e. Dimmers shall have a maximum output of no less than 95% of line voltage.

**5. Fluorescent Dimmers**

- a. Fluorescent dimmers shall provide direct control of fluorescent dimming ballasts up to the manufacturer’s specified rating.
- b. ATX10 shall be rated 1000VA to control 120V Mark 10® *Powerline* or Tu-Wire® ballasts and provide 5 wire leads for Line, Load, Neutral, Remote and Ground.
- c. ATX12 shall be rated 1200VA to control 277V Mark 10® *Powerline* ballasts and provide 5 wire leads for Line, Load, Neutral, Remote and Ground.
- d. ATH08 shall be rated 8A to control 120V Hi-lume® or Eco-10® (Eco-Series) ballasts and provide 6 wire leads for Line, Load, Neutral, Signal, Remote and Ground.
- e. ATH06 shall be rated 6A to control 277V Hi-lume® or Eco 10® (Eco-Series) ballasts and provide 6 wire leads for Line, Load, Neutral, Signal, Remote and Ground.

**6. Fan Speed Control**

- a. ATF01 Quiet Fan Speed Control shall be rated 1.5A and provide Low-Medium-High speed settings and OFF.
- b. ATF01 shall provide microprocessor controlled “kick-start” to allow fan to go directly from OFF to any speed setting.
- c. ATF01 shall provide 5 wire leads for Line, Load, Neutral, Remote and Ground.

**7. Switches**

- a. All Acenti switches shall be completely compatible with Acenti lighting controls and provide ON/OFF Push Pad ergonomically designed for precise tactile quality with distinct actuation confirmation.
- b. All Acenti switches shall provide a blue LED locator light that shall illuminate when the lights are OFF to help users locate control in the dark.
- c. ATS15 electronic switch shall be rated 15A 120VAC and provide 5 screw terminals for Line, Load, Neutral, Remote and Ground.

- d. ATS15 electronic switch shall provide single pole, 3-way, or multi-location control with choice of Acenti remote switches.
- e. Matching Remote Switch ATOSR-1L shall provide blue LED locator, 3-way or up to 5 location control and require a neutral connection.
- f. Coordinating Remote Switch ATOSR-10 shall provide 3-way or up to 10 location control, and require a neutral connection when used with devices requiring neutral connection.
- g. AC201 electromechanical switch shall be single pole only with 3 screw terminals for Line, Load and Ground. AC201-1L shall be rated 20A-120VAC, AC201-7L shall be rated 20A-277VAC.
- h. AC203 electromechanical switch shall provide 3-way switching with 4 screw terminals: (1) Black common, (2) Brass travelers, (1) Green ground. AC203-1L shall be rated 20A-120VAC, AC203-7L shall be rated 20A-277VAC.
- i. AC204 electromechanical switch shall provide 4-way switching with 5 screw terminals: (2) Black IN, (2) Brass OUT, (1) Green ground. AC204-1L shall be rated 20A-120 VAC, AC204-7L shall be rated 20A-277VAC.

**B. Acenti Receptacles**

1. All Leviton Acenti Receptacles shall be designed to perfectly coordinate with Leviton Acenti Switches and Lighting Controls.
  2. Acenti Triplex Receptacle shall provide unique space-saving convenience by accepting three grounding plugs. AC315 Triplex shall be rated 15A-125V (NEMA 5-15R), AC320 Triplex rated 20A-125V (NEMA 5-20R).
  3. Acenti Triplex Receptacles shall fit into standard size single gang wallbox.
  4. Acenti Duplex Receptacles shall also be available.
  5. ACSSR Duplex Surge Receptacle and ACSR6 Sixplex Surge Receptacle (15A-125V NEMA 5-15R) shall provide point-of-use surge protection for sensitive electronic equipment.
    - a. Blue monitor/indicator light shall coordinate with all Acenti blue LEDs and provide surge protection status at a glance.
    - b. Audible tone alert shall sound if surge protection is lost.
    - c. Duplex Surge Receptacle shall provide eight back-wire holes (two for each line and load connection) and ground terminal for easy installation.
  - d. All Surge Receptacles shall provide UL 1449 clamping level of 400V peak for all modes and a maximum single-pulse surge current rating of 26kA (Line-Neutral) and 13kA for (Line-Ground) and (Neutral-Ground).
  - e. ACSR6 Sixplex Surge Receptacle shall provide 3 wire leads: (1) Black (Hot), (1) White (Neutral) and (1) Green (Ground).
  - f. ACSR6 Sixplex Surge Receptacle shall fit into standard size 2-gang wallbox.
6. Acenti Tamper-Resistant (TR) Receptacles shall meet 2008 NEC Section 406.11 requirements that all 15A and 20A receptacles installed in dwelling units in accordance with Section 210.52 be listed tamper-resistant receptacles.
    - a. Shutter mechanism inside the TR Receptacles shall block access to the contacts unless a two-prong plug is inserted.
    - b. Acenti AC215-0T Duplex TR Receptacle shall be rated 15A-125V (NEMA 5-15R). AC220-0T TR Duplex Receptacle shall be rated 20A-125V (NEMA 5-20R).
  7. ACGF1 (15A) and ACGF2 (20A) Acenti GFCI Receptacles shall provide advanced ground fault protection with patented lockout-action.

- a. GFCI RESET action shall be blocked if ground fault protection has been compromised, reducing the possibility of end-users incorrectly assuming that a reset GFCI is providing protection when it is not.
  - b. GFCI shall provide eight back-wire holes (two for each line and load connection) and one back-wire ground terminal for easy installation.
  - c. All GFCIs shall conform to UL 943 Class A GFCI requirements for trip time and resistance to electrical surges and over-voltages.
  - d. Acenti TR GFCI shall provide ground fault protection and a shutter mechanism to block access to the contacts unless a two-prong plug is inserted. ATGF1 TR GFCI Receptacle shall be rated 15A-125V, 20A-125V feed-through (NEMA 5-15R).
8. Acenti Quickport® Wallplate Inserts shall provide multimedia connections.
    - a. Inserts shall allow use of Leviton snap-in Quickport connectors for data, audio and video connections.
    - b. Inserts shall be available in 2-, 3-, 4- and 6-port configurations.
    - c. Leviton Quickport connectors shall be FCC Part 68 compliant and designed for mating with 4- or 6-conductor phone jacks, Cat 5 rated jacks, coax connectors and other types of multimedia connections.

**C. Acenti Wallplates**

1. Plastic wallplates shall be manufactured from engineering grade polymer to provide matte finish and color consistency with all Acenti devices.
2. Wallplates shall be screwless, snap-on design that completes the distinct geometry of the Acenti installation.
3. Multi-gang wallplate design shall provide no dividers between devices
4. All Acenti wallplates shall include a steel alignment plate that uses locating pins to form a “positioning nest” for the Acenti device.
5. Wallplates shall be available with metal finishes, including stainless steel, polished chrome and 24k gold, to complement designer-style appliances and fixtures.

**D. Standard Features**

1. Acenti devices shall feature multi-function self-grounding clip
2. Mounting clips shall grip alignment pins to ensure precise wallplate/device alignment.
3. Mounting clips shall provide self-grounding for Acenti device when used with a properly grounded metal wallbox.
4. Mounting clips shall have contoured legs to provide superior holding power for all Acenti screwless, snap-on wallplates.
5. Mounting clips shall be attached to device mounting strap using TOX® fastening system. Fastening with conventional spot-welding or riveting is not acceptable.

**2.03 SOURCE QUALITY CONTROL**

- A. All dimming controls shall be 100% functionally tested at the time of manufacture. Statistical sampling plan shall not be acceptable.

**PART 3 — EXECUTION**

**3.01 INSTALLATION**

- A. Contractor shall furnish all devices (dimmers, switches, receptacles and wallplate kits), labor and other services necessary for the proper installation of the devices as indicated on the drawings and specified herein.
- B. Contractor shall be responsible for derating lighting control capacity in multi-gang installations.
- C. Devices shall be installed utilizing manufacturer's

recommended application, wiring and installation instructions.

- D. Contractor shall provide wallplate covers with no dividers between devices per specification 2.02 for all devices ganged in a common wallbox. Contractors shall provide barriers within the wallbox where required by code.

**3.02 FIELD QUALITY CONTROL**

- A. Leviton technical hotline available 8:30AM-7:30PM E.S.T.  
Monday-Friday: 1-888-4-ACENTI
- B. Supplemental information shall be provided by Leviton's website at [www.acenti.net](http://www.acenti.net)

Acenti is a registered trademark of Leviton Manufacturing Co., Inc.  
TOX® is a registered trademark of TOX PRESSOTECHNIK-L.L.C.  
Tu-Wire®, Eco-10® (Eco-Series) and Hi-lume® are registered trademarks of Lutron Electronics, Inc.  
Mark 10® *Powerline* is a registered trademark of Koninklijke Philips Electronics N.V.

**Leviton Manufacturing Co., Inc.**

59-25 Little Neck Pkwy, Little Neck, NY 11362-2591 • Tech Line: 1-800-824-3005 • Fax: 1-800-832-9538 [www.leviton.com](http://www.leviton.com)

**Leviton Manufacturing of Canada, Ltd.**

165 Hymus Boulevard, Pointe Claire, Quebec H9R 1E9 • Telephone: 1-800-469-7890 • FAX: 1-800-563-1853

**Leviton S. de R.L. de C.V.**

Lago Tana 43, Mexico DF, Mexico CP 11290 • Tel. (+52) 55-5082-1040 • FAX: (+52) 5386-1797 • [www.leviton.com.mx](http://www.leviton.com.mx)

**Visit our Website at: [www.leviton.com](http://www.leviton.com)**

© 2008 Leviton Manufacturing Co., Inc. All rights reserved. Subject to change without notice.

