

# STI Bopper Stopper®



STI-6518



ADA  
Compliant



## PRODUCT OVERVIEW

Inexpensive and highly durable, these hinged covers live up to their name and can be used in a wide range of applications. Bopper Stopper can take hard knocks in stride while protecting digital keypads, electrical outlets, smaller-size pull stations, biometrics, volume or lighting controls and push buttons to name just a few. The covers and hinges are molded of super tough polycarbonate material. The devices feature a stainless steel torsion spring to keep the cover closed (excludes STI-6528). Bopper Stoppers come complete with installation screws and gasket.

## BACKED BY A THREE YEAR GUARANTEE

As all STI protective covers, these Bopper Stoppers are backed by a three year guarantee against breakage in normal use. They are also highly cost effective and easy to install.

## FEATURES

- Molded from super tough polycarbonate material.
- Stainless steel torsion spring maintains the cover in a closed position (excludes STI-6528).
- Protects against both vandalism and accidental damage.
- Their many uses include protecting push button units, smaller-sized pull stations, keypads, electrical outlets, volume or lighting controls and shutdown switches.
- Covers come complete with mounting hardware and gasket.
- Gasket replacement recommended after five years.
- Typical working properties of polycarbonate are -40° to 250°F (-40° to 121°C).
- Helps stop ice and snow from making keypad units difficult to operate.
- Fast, easy installation.
- Three year guarantee against breakage of polycarbonate in normal use.



# STI Bopper Stopper®

Dimensions and Technical Information

## MODELS AVAILABLE

- STI-6518** Bopper Stopper® with spring loaded hinge - Clear
- STI-6520** Bio Protector - identification reader cover, enclosed - smoke color
- STI-6521** Bopper Stopper for keyless lock, open - Smoke
- STI-6522** Bopper Stopper - smoke
- STI-6528** Bopper Stopper - weather resistant cover for stand alone access control

## APPROVALS & WARRANTY

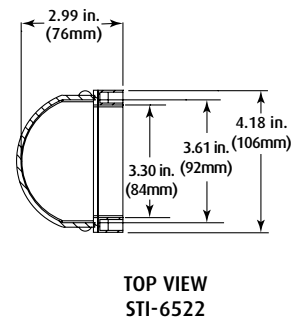
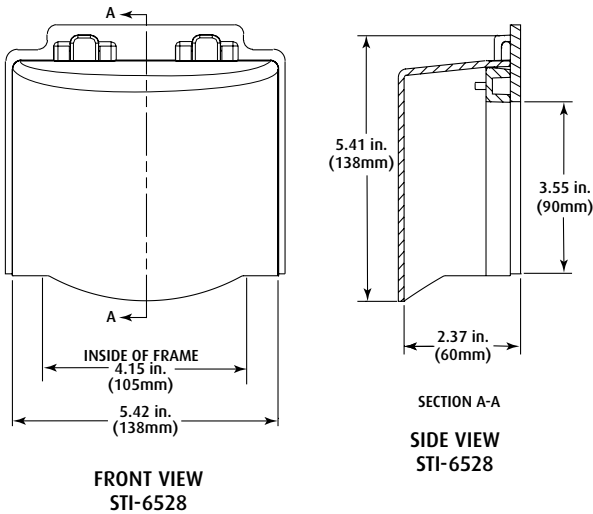
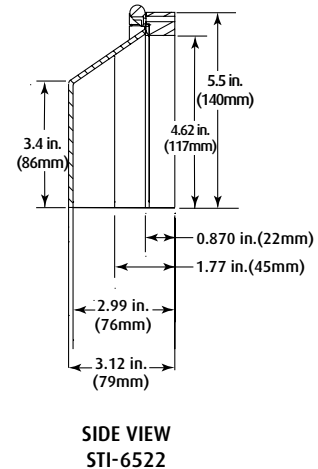
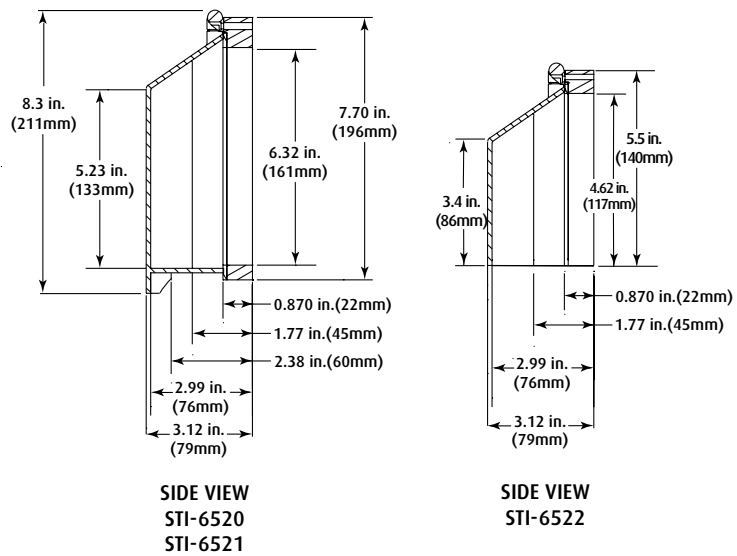
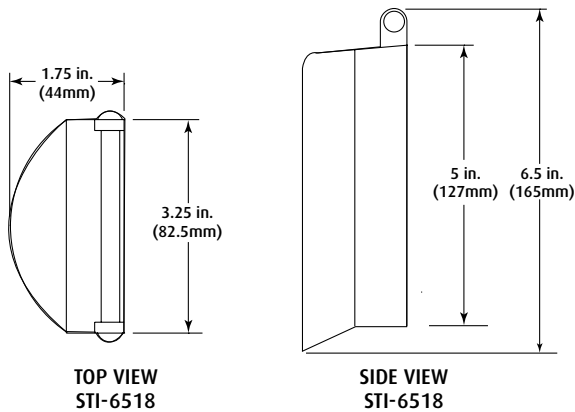
### TESTING

Bopper Stopper (STI-6518 only) has been tested and approved or listed by:

- UL/cUL No. S2466 (Over fire alarm stations only)
- UL/cUL No. S7255 (Over misc. signaling devices)
- ADA Compliant
- CSFM Approved for use over STI fire push button - indoors only

### WARRANTY

Three year guarantee against breakage of polycarbonate in normal use.



**Safety Technology International, Inc.**

2306 Airport Road  
Waterford, Michigan  
48327, USA

Tel: 248-673-9898  
Fax: 248-673-1246  
Tollfree: 800-888-4784  
info@sti-usa.com  
www.sti-usa.com

Unit 49G Pipers Road  
Park Farm Industrial Estate  
Redditch, Worcestershire  
B98 0HU England

Tel: 44 (0) 1527 520 999  
Fax: 44 (0) 1527 501 999  
Free: 0800 085 1678 (UK)  
www.sti-europe.com