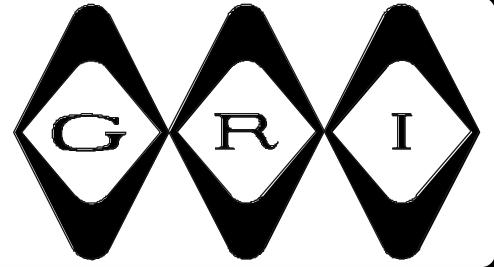



# DUAL FUNCTION SWITCHES



## AA/AC SERIES

- ◆ Security To Access Control    ◆ Security To Relays    ◆ Security To Recorders
- ◆ Access To VCR For CCTV Timers    ◆ Security To Pool Alarm
- ◆  Indicates U.L. 10C Fire Rated

### Application Notes:

The AA & AC Switches can be used in numerous security applications where you need to isolate input from two different pieces of equipment that require a signal from the same source.

The GRI "Combo" Series switches are dual function reed contacts that monitor two separate functions.

By combining two reeds in one package, either two "A" forms or one "A" and one "C" form, GRI offers the installer savings in labor cost along with a wide choice of switch designs for multiple applications.

Other configurations including wide gaps are available. Please contact the factory for further information.



### PART NUMBERS:

Surface Mount	Recessed	U.L. 10C Fire Rated
◆ AA1100	◆ AA180-A	◆ AA180
◆ AC1100	◆ AC180-A	◆ AC180
◆ AA200	◆ AA2020	◆ AA184
◆ AC200	◆ AC2020	◆ AC184
◆ AA250		
◆ AC250		
◆ AA29P		
◆ AC29P		
◆ AA29P-A		
◆ AC29P-A		
◆ AA410P		
◆ AC410P		
◆ AA410P-A		
◆ AC410P-A		
◆ AA4400		
◆ AC4400		
◆ AA4400-A		
◆ AC4400-A		

AA denotes 2 A Form Reeds  
 AC denotes 1 A Form Reed and 1 C Form Reed  
 Other configurations available  
 -A after part number denotes Armored Cable  
**Standard 36 inch lead**



### WIRE CODE:

	1ST (A)	2ND (A)
AA	RED/BLACK	GREEN/WHITE
	(A) CIRCUIT	(C) CIRCUIT
AC	BLK/BLUE	WHITE - C RED - N.C. GREEN - N.O.

GEORGE RISK INDUSTRIES, INC.  
 GRI PLAZA  
 KIMBALL, NE 69145

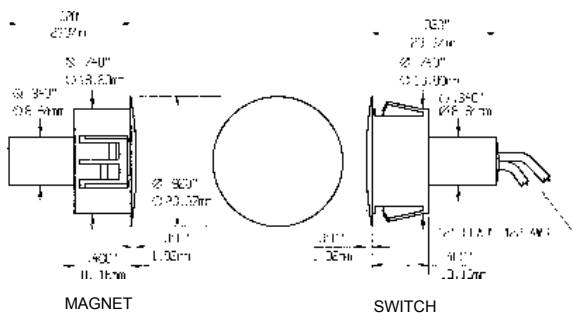
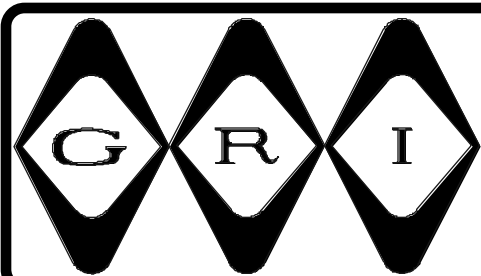


MADE IN U.S.A.

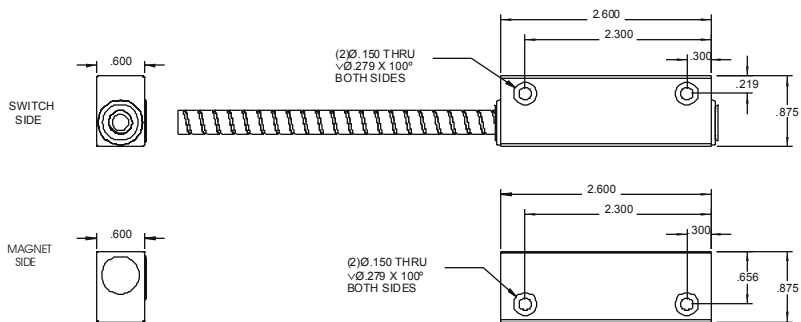
TOLL-FREE 1-800-445-5218  
 TOLL-FREE 1-800-523-1227  
 (308) 235-4645  
 FAX (308) 235-3561

E-MAIL: [grisales@megavision.com](mailto:grisales@megavision.com)  
 WEB SITE: [www.grisk.com](http://www.grisk.com)

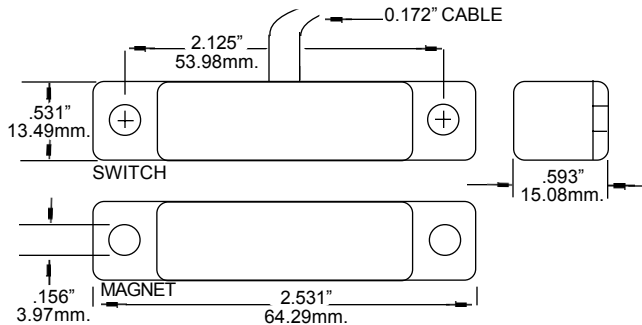
# DUAL FUNCTION SWITCH



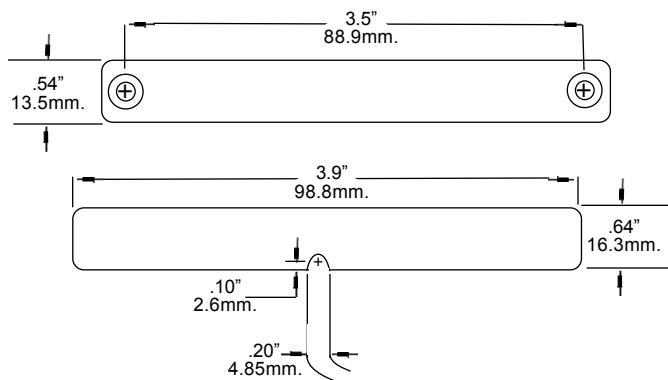
AA/AC180



AA/AC4400-A



AA/AC29P



AA/AC410P

## Minimum General Specifications:

CIRCUIT	LOOP TYPE	ELECTRICAL CONFIG.	REED FORM	MAXIMUM INITIAL CONTACT RESISTANCE (Ω)	MAXIMUM CONTACT RATING (W)	MAXIMUM SWITCHING VOLTAGE (VDC/VAC)	MAXIMUM SWITCHING CURRENT (A)
A	CLOSED	N/O	A	.150	10	160/110	.400
C	OPEN/CLOSED	S.P.D.T.	C	.140	5	175VDC	.250

## WARRANTY:

Lifetime warranty against workmanship, material and factory defects.

GEORGE RISK INDUSTRIES, INC.  
G.R.I. PLAZA  
KIMBALL, NE 69145



MADE IN U.S.A.