

INSTALLATION MANUAL



Cross Platform ControlTM Part # ELK-M1EZ8

A member of the M1 Family

Specifications, Installation and Programming

Includes the SIA CP-01 Standards for False Alarm Reduction

ELK
PRODUCTS, INC.

Introduction

LIMITATION

This control is designed to warn against unauthorized entry and other situations. However, it is not a guarantee of protection against the occurrence of burglary, fire, or other emergency. Any alarm system is subject to compromise or failure to warn for various reasons. For example:

- Unauthorized access can be gained through unprotected points or by disarming or bypassing protected points.
- Sensing devices are power driven and do not operate without electrical power. Battery-operated devices will not work without batteries, with dead batteries, or if the batteries are not put in properly. Devices powered solely by AC will not work if their AC power supply is cut off for any reason, however briefly.
- Telephone lines over which alarm signals are transmitted may be out of service or rendered inoperable by an intruder.
- Even if the system responds to the emergency as intended, occupants may have insufficient time to protect themselves from the emergency situation. In the case of a monitored alarm system, authorities may not respond appropriately.
- Smoke detectors have limitations and cannot detect all types of fires. According to data published by the Federal Emergency Management Agency, while smoke detectors have played a key role in reducing residential fire deaths in the United States, they may not activate or provide early warning for a variety of reasons in as many as 35% of all fires. Some of the reasons some detectors used in conjunction with this System may not work are as follows. Smoke detectors may have been improperly installed and positioned. Smoke detectors may not sense fires that start where smoke cannot reach the detectors, such as in chimneys, in walls, or roofs, or on the other side of closed doors. Smoke detectors also may not sense a fire on another level of a residence or building. A second floor detector, for example, may not sense a first floor or basement fire. Finally, smoke detectors have sensing limitations. No smoke detector can sense every kind of fire every time. In general, detectors may not always warn about fires caused by carelessness and safety hazards like smoking in bed, violent explosions, escaping gas, improper storage of flammable materials, overloaded electrical circuits, children playing with matches, or arson. Depending on the nature of the fire, and/or location of the smoke detectors, the detector, even if it operates as anticipated, may not provide sufficient warning to allow all occupants to escape in time to prevent injury or death..
- Signals sent by wireless transmitters may be blocked or reflected by metal before they reach the alarm receiver. Even if the signal path has been recently checked during a weekly test, blockage can occur if a metal object is moved into the path.
- Wireless transmitters (used in some systems) are designed to provide long battery life under normal operating conditions. Longevity of batteries may be as much as 4 to 7 years, depending on the environment, usage, and the specific wireless device being used. External factors such as humidity, high or low temperatures, as well as large swings in temperature, may all reduce the actual battery life in a given installation. This wireless system, however, can identify a true low battery situation, thus allowing time to arrange a change of battery to maintain protection for that given point within the system.
- Installing an alarm system may make the owner eligible for a lower insurance rate, but an alarm system is not a substitute for insurance. Homeowner, property owners and renters should continue to act prudently in protecting themselves and continue to insure their lives and property.
- A user may not be able to reach a panic or emergency button quickly enough.
- Passive Infrared Motion Detectors can only detect intrusion within the designed ranges as diagrammed in their installation manual. Passive Infrared Detectors do not provide volumetric area protection. They do create multiple beams of protection, and intrusion can only be detected in unobstructed areas covered by those beams. They cannot detect motion or intrusion that takes place behind walls, ceilings, floors, closed doors, glass partitions, glass doors, or windows. Mechanical tampering, masking, painting or spraying of any material on the mirrors, windows or any part of the optical system can reduce their detection ability. Passive Infrared Detectors sense changes in temperature; however, as the ambient temperature of the protected area approaches the temperature range of 90 to 105F (32 to 40C), the detection performance can decrease.
- Alarm warning devices such as sirens, bells or horns may not alert people or wake up sleepers if they are located on the other side of closed or partly open doors. If warning devices are located on a different level of the residence from the bedrooms, they are less likely to waken or alert people inside the bedrooms. Even persons who are awake may not hear the warning if the alarm is muffled by noise from a stereo, radio, air conditioner or other appliance, or by passing traffic. Finally, alarm warning devices, however loud, may not warn hearing-impaired people.
- This equipment, like other electrical devices, is subject to component failure. Even though this equipment is designed to last as long as 20 years, the electronic components could fail at any time.
- The most common cause of an alarm system not functioning when an intrusion or fire occurs is inadequate maintenance. **This alarm system should be tested weekly to make sure all sensors and transmitters are working properly.**

ALL RIGHTS RESERVED

No part of this publication may be reproduced, stored in a retrieval system, or transmitted in any form or by any means, electronic, mechanical, photocopying, recording, or otherwise without the prior written permission of the manufacturer. The material in this publication is for information purposes and subject to change without notice. The manufacturer assumes no responsibility for any errors which may appear in this publication. Printed in U.S.A.

Use of this control for fire detection and/or annunciation may not be permitted by certain states, counties, municipalities or local jurisdiction. It is the responsibility of the installing alarm company to check with the local A.H.J. (Authority Having Jurisdiction) or State Fire Marshal's office prior to using this control for fire detection.

Table of Contents

Specifications, Features, and Benefits	4
Wiring & Hookup Diagram	5
Section 1 - Installation and Wiring	7
1.1 Planning the Installation	7
1.2 Parts Diagram & Descriptions	7
1.3 Mounting and Wiring Preparation	7
1.4 Control Wiring	8
Data Bus E.O.L. Termination - VERY IMPORTANT!	11
Section 2 - Operating the System	13
2.1 Introduction	13
2.2 Powering Up (One Keypad).....	13
2.3 User Codes and Authorities	13
2.4 Installer Program Code and Authorities	13
2.5 Keypad Overview	14
Keypad Menus	15
Multi-area (Partition) Operation	18
Section 3 - Programming The Control	19
3.1 Introduction	19
3.2 Local Keypad Programming	19
3.3 Local or Remote Computer Programming (ELK-RP) and Anti-Takeover	19
3.4 Area Partitioning	19
3.5 Communicator Setup Checklist	20
3.6 Entering Installer Level Programming	20
Menu 01 - Bus Module Enrollment	22
Menu 02 - User Code Options	23
Menu 03 - Area Definitions	24
Menu 04 - Keypad Definitions	26
Menu 05 - Zone Definitions	28
Menu 06 - Alarm Duration Timers	31
Menu 07 - Global System Definitions	32
Menu 08 - Telephone Account Setup	36
Menu 09 - Area Reporting Codes	38
Menu 10 - Zone Reporting Codes	40
Menu 11 - Keypad F-Key Reporting Codes	41
Menu 12 - Sys Report Code Options & Codes	42
Menu 13 - User Report Codes	44
Menu 14 - Wireless Definitions	45
Section 4 - PC Programming and Automation Capabilities	47
4.1 ELK-RP Software	47
4.2 Update/Verify Firmware in the Control and Peripherals	48
4.3 Automation Rules and Attributes	49
Appendix A - Event Codes	56
Appendix B - Two Way “Listen-in/Talk” Interface (optional)	58
Appendix C - SIA CP-01 Compliance	59
Appendix D - Regulatory Agency Statements	60
Appendix E - Additional Keypad Information	64
Index	67

Specifications, Features, and Benefits

General:

- Large zone capacity: 8 on-board zones expandable to 200
- Wireless capability: Up to 48 zones
- Two Way Listen-in interface
- Flash Memory - Allows field updates to firmware electronically
- Time/Date stamped 512 event history log
- Menu driven, text keypad programming
- 12 On-Board Outputs: 1 siren driver/voltage, 1 form "C" Relay, and 10 low current (10 mA) voltage outputs
- Total Number of Outputs Supported: 204
- Supports 4 wire (any zone) and 2 wire (zone 8) smoke detectors
- Includes Fire alarm verification routine
- Can be partitioned into 8 areas and account numbers
- User Codes: 99 (4 or 6 digit) with assignable authority levels
- Arm levels: Away, Stay, Stay Instant, Nite, Nite Instant, Vacation
- Hardware "watchdog" and nonvolatile EEPROM memory
- Supervised phone line and alarm output
- Connection for optional ELK-MSI RS-232 serial port 0 to interface PCs and peripheral devices
- Total serial ports with expansion: 8

Communications

- True V.22 bis Modem for fast reliable upload/download
- Phone Number Capacity: 8
- Optional Ethernet int. for reporting, operation, programming
- Communicator formats: SIA, Contact ID, 4 + 2, and Pager
- Elk-RP PC programming software with conflict resolution to easily highlight differences between control and PC
 - Connect via Dial-up, Optional RS232 port, or Opt. Ethernet
 - Automatic answering machine bypass

Keypad

- Backlit, Large Character LCD Display, 16 x 2 lines
- Built-in Temperature Sensor
- Optional Plug-in Prox Access reader (26 bit Weigand format)
- Menu navigation keys and 6 programmable function keys
- Plug-in connector, only 4 wires to the control
- 1 Zone input and 1 Output Programmable per Keypad
- Programmable display of time, date, & temperature
- Displays system diagnostics and settings.
- Maximum Keypads allowed: 16

Automation & Integration

- Create lifestyle enhancing comfort, convenience, and security
- Powerful "Whenever/And/Then" RULES Programming allows almost any imaginable operation. No need to chain rules

together. Any single "Whenever" event can have one or more ANDs and THENs (conditions and commands).

- Total number of Rules Supported: 528
- Rules utilize easy to understand text based references
- Control lighting using RS-232 serial or 2-way Power Line Control (PLC) ports including On, Off, Dim, All On, All Off commands
- Transmit and receive custom serial ASCII strings
- Read Temperature Sensors - Communicate with Thermostats
- Total thermostats supported: 16
- Sunset/Sunrise calculation and activation built-in
- Advanced Lighting Options (Pre-set Dim, Extended, Levels, Scenes)

Power Supply

- Heavy duty - 2.5 Amp power supply w/ 1.5 Amp continuous
- Dynamic battery test
- PTC (fuseless) resettable overload protection

Part Numbers and Accessories:

ELK-M1EZ8CB	Control "Board only"
ELK-M1EZ8	Control in 12 x 12" metal can (Base Unit)
ELK-M1EZ8KB	Control KIT: Board, 12 x 12" can, Xfmr, M1KP Keypad, 5Ah Battery, SP35 Speaker, RJSET,
ELK-M1EZ8K	Control KIT - NO METAL CAN (for structured wiring systems) Includes Board, XFMR, M1KP Keypad, 5Ah Battery, SP35 Spkr, RJSET

Utilizes most ELK-M1 Accessories

ELK-M1KP	Keypad, LCD, 16 character x 2 line
ELK-M1XIN	16 Zone (input) expander
ELK-M1XOVR	16 Output expander, 8 Voltage/8 Relays
ELK-M1XOV	16 Output expander, Voltage only
ELK-M1RB	Relay board, 8 form "C" relays
ELK-M1DBH	Data bus wiring hub
ELK-M1XEP	Ethernet Port Exp/Interface (Qtr 2 of 05)
ELK-M1XSP	Lighting, Thermostat Interface & Serial exp.
ELK-M1PR	Mini prox reader for keypad
ELK-M1EZ8TWI	Two Way Listen-in Int. w/3 mic inputs
ELK-M1EZ8MSI	Main Serial Interface, supplies RS232 Port 0
ELK-M1TWS	Speaker & Mic for Two Way Listen-in
ELK-M1ZTS	Zone Temperature Sensor -50 to 140 F
ELK-RP	PC software, free with 1st Control purchase

Wiring & Hookup Diagram

Sealed Lead Acid Battery (ELK-1250)
12Volt - 5Ah min.
See UL requirements for sizes and standby times.
Note: Test battery regularly with ELK-BLT Battery Life Tester. Replace every 3-5 years

UL Listed Transformer, 16.5VAC, 45VA, Class II, (ELK-TRG1640)
Do not connect to switched outlet.

Keypad
RED
GREEN
WHITE
BLACK
Data Bus-See Note in Manual

Out 2 - Alarm (Siren or Voltage)
Connect a UL Listed siren or bell. Default is Siren Min. 15 watt (4-16 Ohm) speaker ELK-SP30 or equiv.
+ (Supervised)
- Siren or Voltage

For Voltage (open collector) program option G26 to a Yes. Max. Current Draw: 1 Amp. If output is not used, install a 2200 Ohm resistor to avoid Output 2 trouble.

Out 3 - Relay Programmable General Purpose Dry Contacts rated: 5Amps @ 12 - 28VDC

Power LED is ON when AC Voltage is present.

Status LED: 1 blink = Normal Operation.
2 fast blinks = Bootloader mode.
4 fast blinks = Initializing EEPROM memory.
5 fast blinks = Memory/Operation overflow.

ELK-M1EZ8

Testing of this system should be performed regularly. Control panel specifications are subject to change without notice. Figures not to scale.

ELK PRODUCTS, INC.
HILDEBRAN, N.C., 28637, USA

JP3 Terminating Jumper (JP3)
See manual for important information about Data Bus Termination.

Select PLC Mode (JP2)
Selects single or bi-directional PLC Transmissions

Programmable Outputs (J16)
OUT 7 thru 16 are +12V switched positive voltage outputs rated at 10mA max. Connect optional ELK-M1RB Relay Board for 8 general purpose relays.

- OUT 7: +12V
- OUT 8: Black
- OUT 9: Red
- OUT 10: Yellow
- OUT 11: Orange
- OUT 12: Blue
- OUT 13: Green
- OUT 14: Brown
- OUT 15: White
- OUT 16: NEG

Aux Data Bus (J3)
For wireless receiver. Presently works with GE-Caddx NX408E, NX416E, or NX448E

J7 Two-Way Listen-In (J7)
Connects to (M1EZ8TWI)

Line Seize LED is ON if Dialer is in use (communicating)

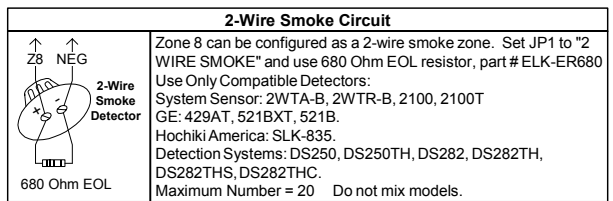
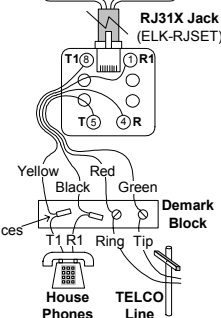
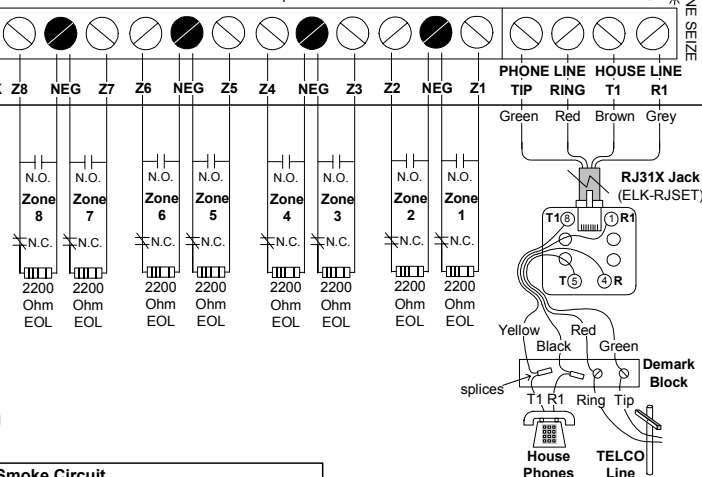
2200 Ohm EOL Resistors are part # ELK-ER2200

Auxiliary +12VDC Power Output
Protected by 1.25A PTC.

NOTE: Maximum continuous current drain from +VAUX, +12VCP, +VSMK, and J16 combined must not exceed 1 Amp (2.5 Amps in alarm)



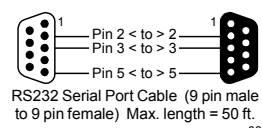
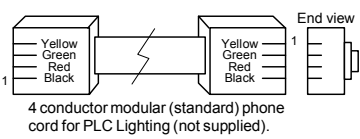
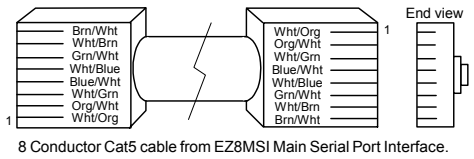
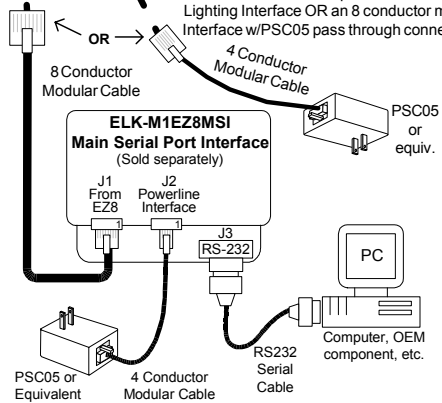
U.L. Listed EOL Supervision Relay (ESL #204 or Equivalent) (shown energized, contacts closed)
+12VDC Switched Smoke Power 1.1 Amp PTC protected



Complies with FCC Part 68
Reg. Number: US:5K6AL03BELK-M1
Ringer Equivalence REN: 0.3B
Use USOC RJ-31X connector.
Complies with the limits for class B computer devices in accordance with the specifications of subpart J of part 15 of FCC rules.

Note: Secondary phone line surge suppression devices (ELK-950) are recommended for areas prone to transient or lightning strikes.

Connector J5 accepts either a 4 conductor modular cable for a PSC05 PLC Lighting Interface OR an 8 conductor modular cable for a EZ8MSI Main Serial Port Interface w/PSC05 pass through connector. (This connection not evaluated by UL)



083005

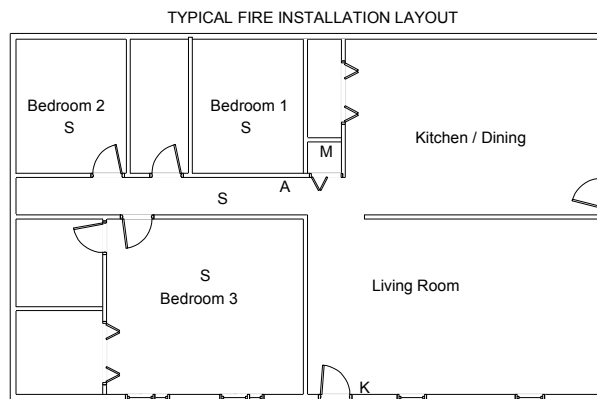
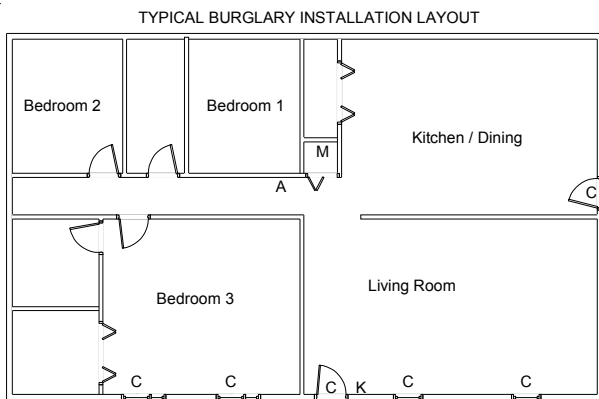
Intentionally Left Blank

Section 1 - Installation and Wiring

1.1 Planning the Installation

The first step in any multi-zone security system installation is planning the job.

1. Read this entire manual to familiarize yourself with all system features and procedures before actually beginning the installation. Read all the information regarding Underwriters Laboratories (UL) and NFPA requirements.
2. Perform a physical survey of the installation site. Use the diagrams below as a guide in planning the installation.
3. Discuss the installation requirements and applications with the customer.
4. Compare the installation requirements and applications with the factory default settings to determine what customized programming is needed to meet the specific installation requirements.
5. Bench test the system prior to installation.



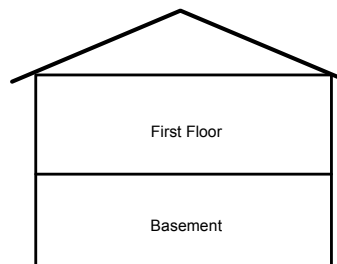
All perimeter openings below 18" should be provided with protection.

A Smoke Detector shall be located in each sleeping area and between the sleeping areas and the main living area.

Early warning fire detection is best achieved by the installation of fire detection equipment in the location shown above.

In homes basements or multiple levels at least one smoke detector shall be on each level.

Legend
M - Main Control
A - Audible Alarm
S - Smoke Detector
C - Contact
K - Keypad



1.2 Parts Diagram & Descriptions

See Wiring & Hookup Diagram on pages 5.

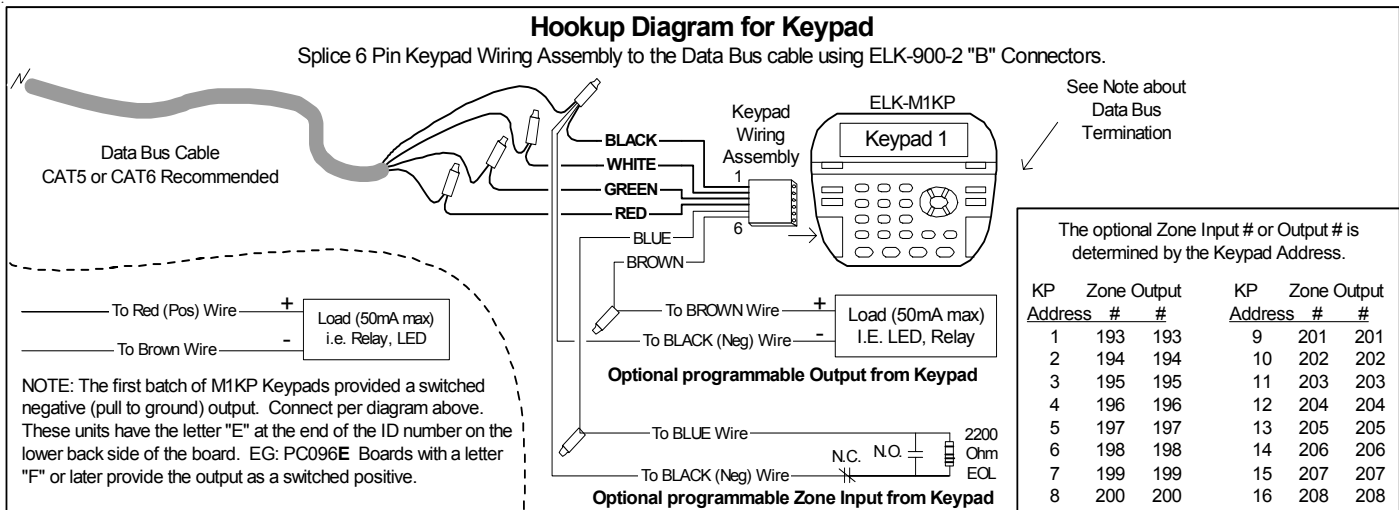
1.3 Mounting and Wiring Preparation

Control Mounting

Remove all packing material and familiarize yourself with the parts. Mount the control in a secure, dry location where the ambient temperature inside the control box can remain at 32° to 120° Fahrenheit (0° to +49° Celsius). Choose a location that allows easy wiring to an unswitched power outlet and to a grounding conductor for the control. A central location makes running system wiring easier. Remove control box knockouts that best suit your wiring needs. Mount the control using the upper center slotted hole to level. Install and connect all necessary wiring for the power transformer, detection loops, keypads and siren outputs.

Keypad Mounting and Wiring

Ideal keypad height is 50-58 inches above the floor. Select a location with an ambient temperature range between 32° and 120° F (0° to +49° C). Avoid direct sunlight if possible. Fasten mounting plate to electrical box (or directly to wall) using flat head screws to prevent shorts to the back of the circuit board. Keypads have a removable wiring plug for connecting to the 4-wire data bus. CAT5 or CAT6 eight (8) conductor cable is recommended for all Data Bus cables. The extra wires provide data return paths. Splice the Black, Red, White, and Green wires from the removable wiring plug to the Data Bus cable. Plug the connector into the back of the keypad. Tuck wires neatly into back plate and install Keypad on mounting plate. Each keypad has connections for an optional programmable output and a programmable zone input.

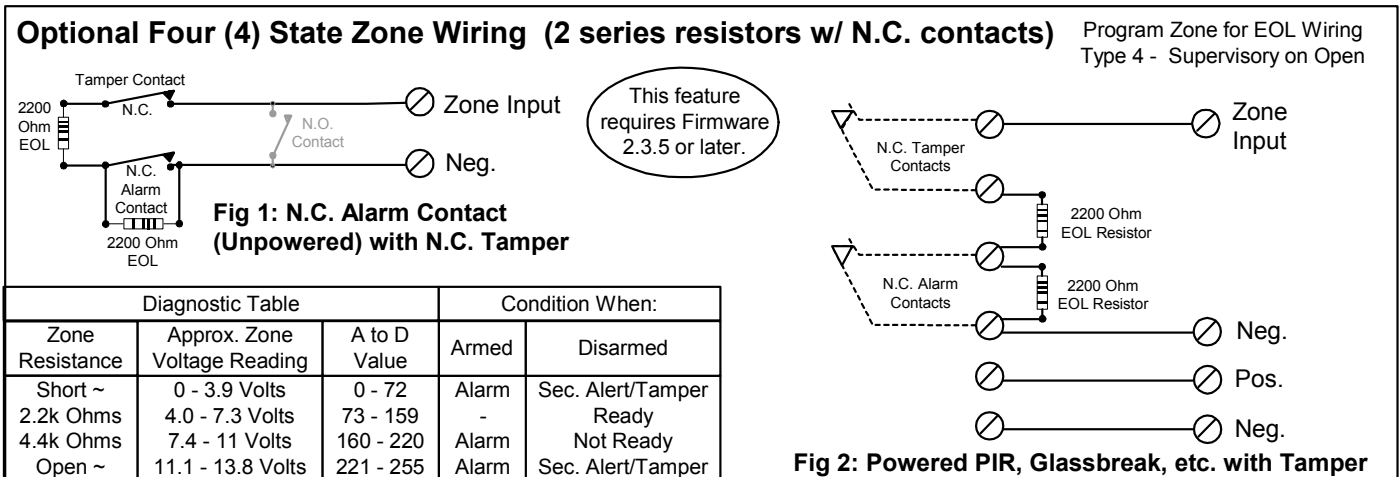
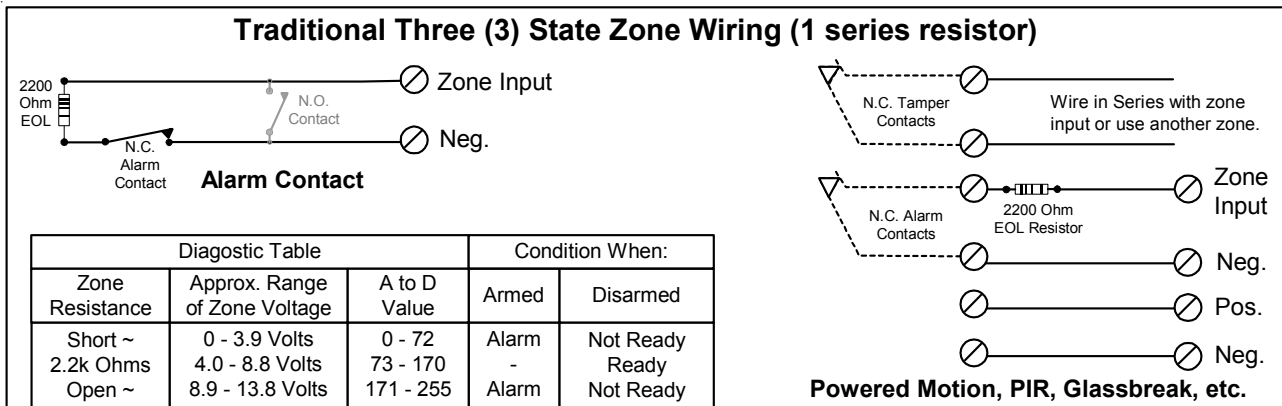


NOTE: Refer to the section 'Data Bus E.O.L. Termination' for information on multiple homerun cables. **NEVER SPLICE OR CONNECT WIRE WITH CONTROL POWER ON.** Minimum cabling should be four conductor 22 or 24 gauge. Maximum resistance per wire is 25 Ohms. Device placement beyond 1000' is not recommended.

1.4 Control Wiring

Zone Inputs (1 thru 8 on main board, 17 thru 208 via expanders)

Zones Z1 thru Z8 are on the main board, others are in groups of 16, starting with Z17. Each 2 zones share a common negative terminal. A zone may be programming for EOL resistor supervision (Default), or normally closed/normally open without a resistor. In addition, Burglar and Keyswitch zones may be programmed for EOL with Security Alert on Short, or EOL with Security Alert on Open/Short, also referred to as a **Four (4) State Zone** (firmware 4.3.5 or later). If EOL resistors are used, they should be placed at the furthest most remote end of the detection device wiring. EOL zones permit a combination of N.C. (normally closed) or N.O. (normally open) devices. **Using voltage meter probes across the zone and com terminals, a non-violated EOL zone will measure approx. 7.0 VDC. An open circuit will be approx. 13.8 VDC. A shorted circuit will be 0 VDC. The Keypad also provides the ability "Menu 8 "System Diagnostics" to view zone voltage.**



Two-Wire Smoke Zones (Zone 8)

To enable the use of two-wire smoke detectors on Zone 8, move Jumper JP1 to the 2 wire smoke position. Go to the installer programming mode, Menu 05 - Zone Definitions, and program Zone 8 as a Fire zone (Def=10). Program the Wire Type as a 6. **NOTE Use only compatible two-wire detectors as listed on the front label of the control. Do not mix brands. The maximum number of detectors is also listed on the front label. When jumper JP1 is set for two-wire operation, a 680 Ohm EOL resistor (furnished in the hardware pack) must be used instead of the 2,200 Ohm. Maximum wire resistance must not exceed 60 Ohms.**

Switched Power Connection (+VSMK)

Four-wire smoke detector and other devices that require a temporary power disruption in order to reset or unlatch from the alarm state (i.e. smoke detectors, etc.) should be connected to the +VSMK 12 Volt DC switched power terminal. When a smoke reset is performed, the operating voltage to these devices is momentarily interrupted.

Auxiliary Power Connections (+VAUX)

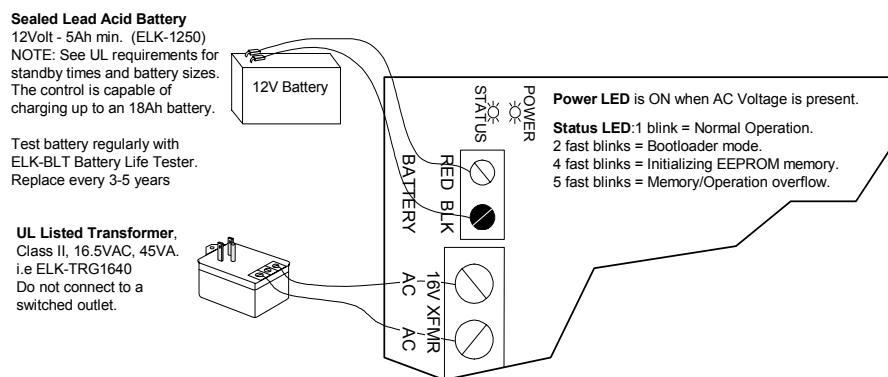
Motion detectors, glass breaks, etc. and other devices requiring unswitched 24-hour power should be connected to one of the auxiliary terminals, +VAUX. All negative terminals on the terminal strip are at the same reference and may be used whenever a common (circuit ground) negative is required. Use caution when wiring the control to distribute the load devices among the supply and the negative terminals evenly. **NOTE: Circuit ground refers to any negative terminal connection on this control. This does not refer to earth ground or to the common terminal of the relay output.. These are not at the same voltage potential and should not be wired so that they are electrically connected to a negative.**

PTC (Positive Temperature Coefficient) Circuit Breakers

The +VAUX Auxiliary power and J16 power output terminals are protected against shorts and overloads by a 1.25A PTC. A PTC is a solid state, auto-restoring type of circuit breaker. The +VSMK Switched (Smoke) power output is protected by a 1.1A PTC. The +12VKP Keypad power output is protected by a 1.25A PTC. The alarm output is protected by a 1.25A PTC. **NOTE: Sometimes it may be necessary to remove power (unplug the outputs) for approx. 20 seconds after a short, to allow the PTC to reset. Even if the short is no longer present, the remaining residual current draw may be so high that the PTC cannot determine that the short is gone. If the PTC re-trips, check the field wiring and repair.**

Transformer Primary Power Input (AC)

The control is powered by a 16.5 VAC, 40 min. VA, UL Listed Class II (power limited) transformer (ELK-TRG1640). The specified sized and rated transformer must be used to operate this control. The transformer must be connected to a 120 VAC, 24-hour outlet not controlled by a switch other than an approved overcurrent protection device.



Connect the transformer to the AC Terminals using 16 to 18 gauge minimum wire. Do not exceed 50 feet between the transformer and the control or run the AC power in a multiconductor with other system circuits. Leave the transformer unplugged as well as the standby battery until all other connections have been made.

Standby Battery Connection

Connect the BLACK wire to the Neg (-) terminal on the battery, the connect the RED wire to the Pos (+) terminal on the battery. The control is designed to operate with and recharge a 12 volt, sealed lead acid battery from 5Ah up to 18 Ah for backup of the primary power supply. The control maintains a float charge for the battery of 13.8 VDC at 100 mA. This is in addition to the continuous output of 1.5 Amps that the power supply maintains (see maximum current drains for UL Listed Systems).

CAUTION: Do not reverse the battery leads! The control has special circuitry which helps protect it from battery reversal damage for short durations. However, prolonged reversal of the battery leads may cause permanent damage. A reverse battery warning LED is located to the left of the power On/Off switch. If this light is ON, turn the power off immediately and correct the battery lead connections.

AC Failure, Low Battery, and Automatic Low Voltage Shutdown

During an AC power failure the battery automatically takes over and AC Fail trouble annunciates at the keypad. The communicator can be programmed to report AC Fail to the Central Station after a time delay (see Menu 12, System Option 01).

If the battery voltage falls below 11.2 VDC a Low Battery Trouble condition will occur. The communicator can be programmed to report Low Battery to the Central Station. The battery will continue to run the control until its voltage reaches 10.5 VDC, at which time the control will disconnect and shut down to prevent a false alarm and damage to the battery. The AC Fail trouble display will clear if the AC restores. However, the Low Battery Trouble requires a manual or automatic battery load test before it will clear. An automatic battery load test is performed every 24 hours. See Section 2.2 for powering up the control.

Telephone Line Connection (R1,T1,T,R)

The telephone interface is connected by the use of an approved RJ-31X interconnect jack. This device allows the subscriber to disconnect the control/communicator from the public switched telephone network in the event of a malfunction. The control is equipped with line seizure so that the premises telephone service is interrupted during communication to the central station. Connection to the approved jack is done with a RJSET cord which connects the control terminals to the RJ31X jack.

HELPFUL HINT: The telephone cord can be supervised back to the RJ31X block or Telco demarcation block by installation of a EOL resistor across the Orange and Blue wires (terminals 2 and 7 on the RJ31X jack). Back inside the control, connect the Orange and Blue leads from the RJ cord to any 24hr Burglar zone input.

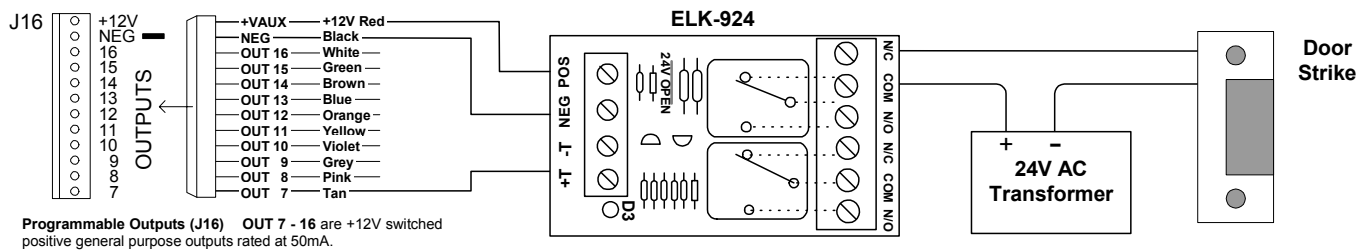
Outputs

There are 12 outputs on the main board. In programming these are numbered Out2, Out3, and Out 7 thru 16. The total outputs may be expanded utilizing output expander boards connected to the RS-485 4-wire Keypad data bus. The Alarm Output (Out 2) trips when any alarm is activated. All others must be enabled through the RP Rules Programming and can be triggered by multiple conditions "events". Do not exceed the current limits on voltage only outputs.

Output 2 is a traditional Alarm output. It is factory set to produce alarm siren sounds into standard 8 Ohm speakers (never go below a total connected load of 4 Ohms). It can be alternately programmed to produce voltage only (12VDC) for driving self-contained sirens or siren driver boards

Output 3 is a Single Pole Double Throw Relay with form "C" contacts (Com, N/O, and N/C).

Outputs 7, 8, 9, 10, 11, 12, 13, 14, 15, and 16 are low current, positive (+) voltage only, for driving LEDs, relays, etc. **Outputs 4, 5, and 6 ARE NOT available from the main board.** They can only be accessed with a data bus Output expander set to address 1. This expander will replicate all the main board outputs, including outputs 4, 5, and 6.



Using Output 7 (low current) with a sensitive relay to switch 24V AC to a Door Strike

Earth Grounding

Tests and studies have determined that the best results against lightning and transients are obtained by isolating the control from ground. Do NOT connect any of the terminals, especially the Neg. terminals to earth ground. However, ancillary devices such as the ELK-950 Surge Protector on the incoming Telephone circuit are still recommended.

Keypad & Expanders on the RS-485 Data Bus (+12VKP, Data A, Data B, Neg)

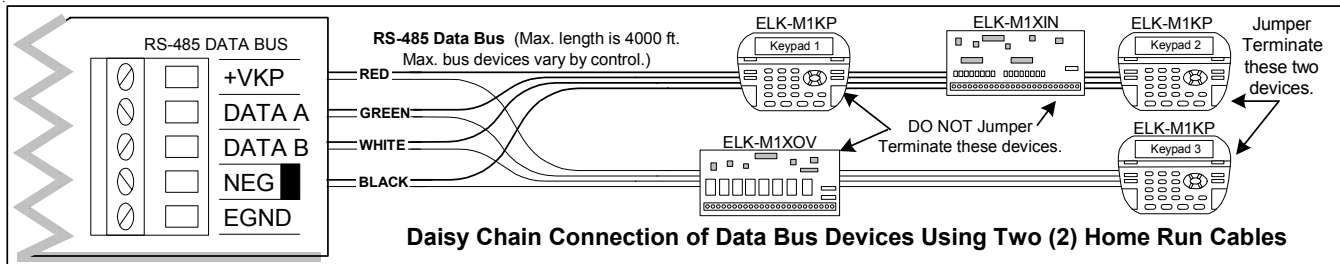
Keypads and data bus expander devices connect to the four terminals marked +VKP, Data A, Data B, and Neg. The keypad plug-in wire harness color code is: Red +VKP, Green Data A, White Data B, and Black (-) Neg. The +12VKP power terminal is protected by an auto reset PTC device. In the event of a short circuit or malfunction, power will be removed from all devices until the problem is resolved.

Data Bus E.O.L. Termination - VERY IMPORTANT!

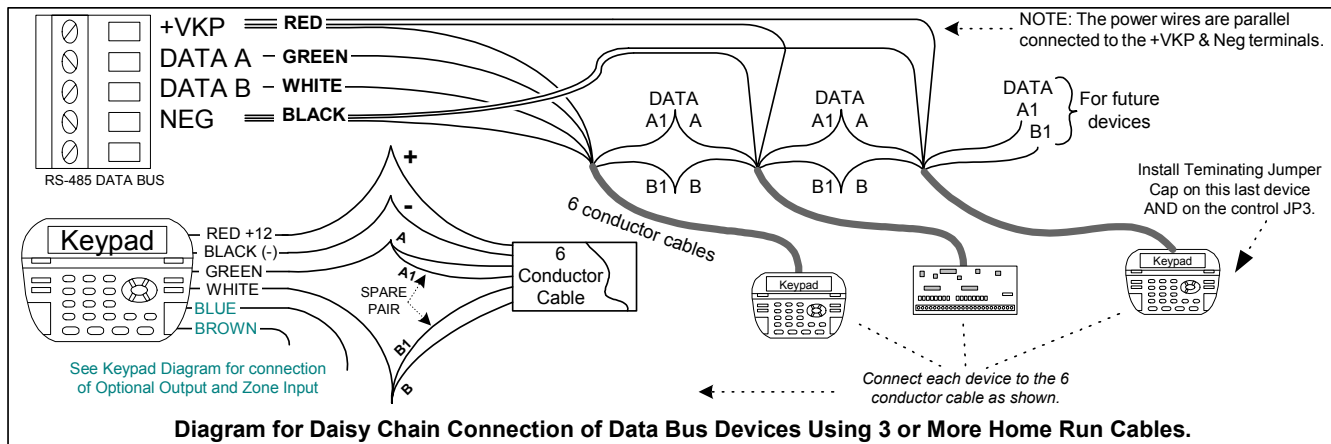
The control features a true RS-485 “differential” data bus operating at 38,400 bits per second. This is relatively high speed by industry standards and ensures fast, accurate communications. With this speed, EOL data bus terminating resistors are required to eliminate the possibility of reflection errors caused by varying cable lengths. Every data bus device; keypad, zone expander, etc. and the control board has a built-in bus terminating resistor (120 Ohm) which is installed (activated) via a 2 pin header/jumper (2 Gold Pins). The hardware pack includes two black shorting caps. When one of the shorting caps is placed on the two gold pins, it installs (activates) the 120 Ohm terminating resistor across Data Lines A & B. Terminating resistors are marked JP2 on the keypads and JP1 on the expanders. From the factory, no terminating resistors are installed (activated).

WARNING! The RS-485 Data Bus must NEVER have more than 2 terminating resistors header/jumpers installed.

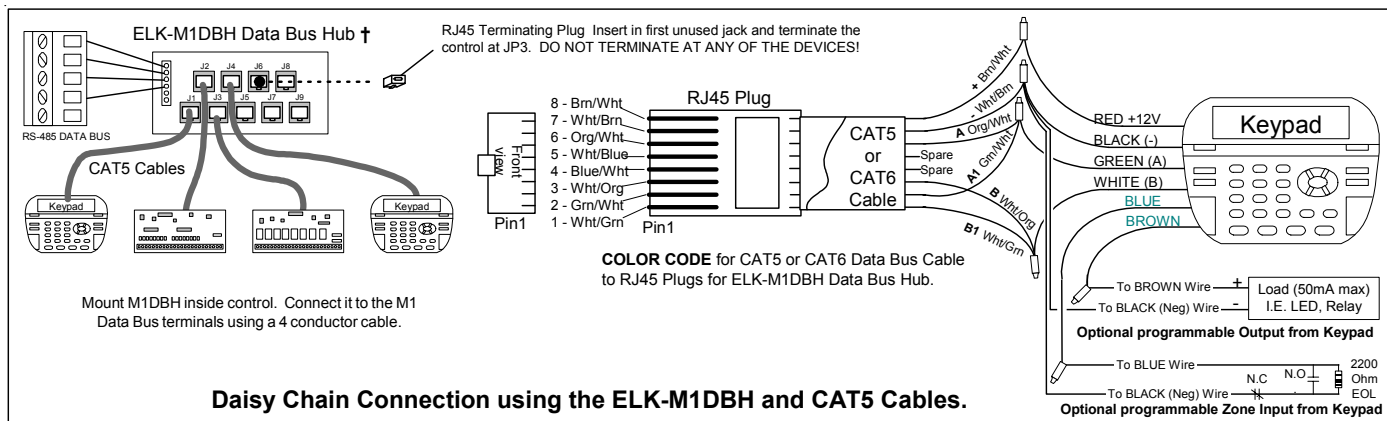
Ideally, there should be no more than 2 home run cables (4 wire) with daisy chained devices along each. The last device on each cable MUST have a terminating resistor installed (activated) via the gold 2 pin header/jumpers marked JP2 on keypads, JP1 on expanders. Place a black shorting cap (see hardware pack) onto the 2 gold pins to install a 120 Ohm resistor across data lines A & B. If there is only 1 data bus cable place a shorting cap on JP3 of Main Board. See alternate hookups below.



For those that prefer to home run wires, use 6 or 8 conductor (CAT5 is ideal) cable. At each device, make a three way splice of the data A, the device A wire (terminal), and a return data A1 wire (using one of the extra wires). At the control, make a two way splice of the data A1 return wire (series connection) to the outgoing data A wire of the next cable. Repeat for the data B wire. Remember to install a terminating jumper on the last wired device and the control JP3 ONLY! Electrically the data wires are now in series. Connect the POS (+) and Neg (-) power wires of each device directly to the M1's +VKP and Neg terminals. DO NOT SERIES THE POWER WIRES as this will cause unnecessary voltage loss.

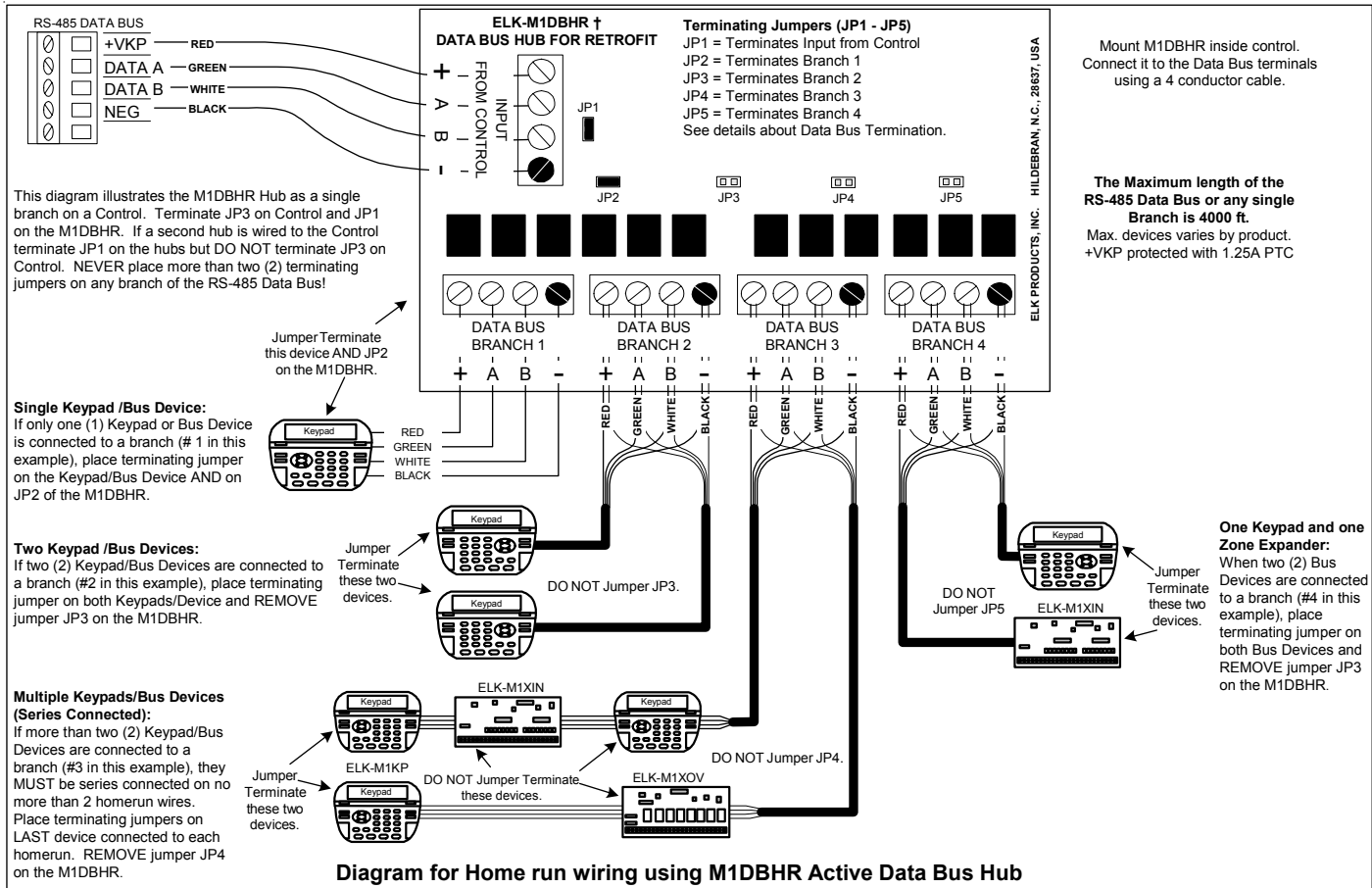


The ELK-M1DBH † Data Bus Hub accepts CAT5 or CAT6 cable with RJ45 plugs on the ends and does all the work of series connecting the DATA lines A & B. Terminate at the hub using the included RJ45 Terminating Plug in the first unused jack.



† Not evaluated by UL †† Not for use in UL Listed Installations

The ELK-M1DBHR † "Active" Data Bus Hub Retrofit splits the Controls' main RS-485 Data Bus into 4 managed RS-485 branches. Each branch can have 2 parallel home run cables for a total of 8 home runs. The last (end of line) device on each home run should be jumper terminated to insure proper operation and supervision.



Setting the Data Bus Address and Enrolling Device(s) into the System

Keypads and expander devices communicate over the RS-485 4-wire data bus. Each device must have a unique address setting (from 1 to 16) within its device type. Keypads are TYPE 1, input (zone) expanders TYPE 2, output expanders TYPE 3, etc. The purpose of device types is so that the address numbers can be re-used in each different device type. It's OK to have a Keypad, Zone Expander, and Output Expander all set to address 2 and on the same data bus since each device is a different device type. It is NOT OK to have duplications of addresses within the same device type. **I.E. Multiple keypads on the same control cannot be set to 'like' addresses.**

ADDRESS: From the factory all keypads are set to address 1. Valid addresses are 1 to 16. The first keypad on the system (Keypad 1) is automatically enrolled upon power up. Each additional keypad must be assigned a unique address and then manually enrolled from "Menu 1 - Bus Module Enrollment". (See Menu 01, for complete instructions on Bus Module Enrollment)

1. Press and hold the "*" key, followed by the F5 key. HOLD BOTH keys pressed for 5-10 seconds or until the LCD displays:

Exit when done. F1 Set Addr. (This is Keypad setup mode)

NOTE: An alternate method is to remove power from the keypad and then power up while holding any key pressed.

2. Press the F1 key to display the current address setting.
3. Set the desired address (from 1 to 16) by using the Up or Down arrow keys.
4. Press the Exit key twice when done.

ENROLLING:

1. Press the **ELK** key, then **9** (or scroll up) to display **9 - Installation Programming**. Press the **RIGHT** arrow key to select this menu. The Installer Program Code must be entered to access this menu.
2. Enter the Installer Program Code. (The default code is 172839)
3. The first Installer Programming menu displayed will be "Bus Module Enrollment"
4. Press the **RIGHT** arrow key to select this menu. "Enrolling Bus Modules" will display
5. After a few seconds the display will show the total Bus Modules that are enrolled. To view the enrolled devices and/or remove a device press the **RIGHT** arrow key next to the word Edit.
6. Press the * or Exit keys to exit Installer Programming.

**Auth. Required
Enter Valid Pin**

**01-Bus Module
Enrollment**

**XX Bus Modules
Enrolled, Edit ▶**

† Not evaluated by UL

†† Not for use in UL Listed Installations

Section 2 - Operating the System

2.1 Introduction

For best operation during bench testing, all zones should be terminated with end of line resistors and the correct transformer and battery should be connected to the unit. The control comes with factory default programming, allowing it to be bench tested prior to installation. The factory default code for user 1 is 3456. This code is authorized to operate all user related features of the system. The control is designed to accommodate the grouping of specific zones into partitions called areas and by default, all zones are assigned to area #1. This is the most common mode in which the system operates. This section of the manual gives an overview of powering up and basic keypad functioning.

2.2 Powering Up (One Keypad)

After all other connections have been made and checked thoroughly, the controls AC transformer and battery may be connected. Upon power up the control will perform self-diagnostics and auto-enroll the first keypad (Keypad Address #1). Any additional keypads or expanders must be manually enrolled using Installer Level Programming. See "Menu 01 - Bus Module Enrollment".

NOTE: It is very important to make certain that every keypad, input expander, output expander, or any other data bus device be assigned a unique data bus address within its type. See "MENU 01 - Bus Module Enrollment" for instructions on setting keypad and expander addresses.

2.3 User Codes and Authorities

The control has 99 user passcodes plus one installer passcode. Each user code may be assigned specific authorities as to what it is allowed to do. The authorities are assigned from the Installer level programming, however the code numbers and user name is assigned from the keypad user menu 6 - Change User Codes. Only a Master authority level code or the Installer code is allowed to access keypad user menu 6. The User's Guide contains a description of panel operations accessible to the user codes. Control operations accessed by the installer passcode are slightly different.

The Factory Default Code for User Code 1 is: 3 4 5 6 (Master Code)
(If the six digit code option is enabled, User Code 1 default will then be: 1 2 3 4 5 6)

The user code may be used for functions in a specific area or system-wide. Some options may be performed at any time, even while the control is fully or partially armed. The menu system is designed to be next-step-oriented. After a brief explanation of the options, the user should be able to begin operating the system immediately. For purposes of discussion, the installer and the end consumer are both considered users, but have different capabilities.

2.4 Installer Program Code and Authorities

The installer code can access all the keypad user menus, including of course menu 9 - Installation Programming. The Installer code also has limited arm/disarm privileges. It may be used to arm any area and may be used to disarm any area, so long as that area was armed specifically by the installer code. The Installer code cannot disarm if an area was armed by any user code. The Installer code may be used to silence 24hr alarms or a Burglary alarm in an area that was armed by the installer or in an area that is not armed. The installer code may also be used to silence a trouble condition in a disarmed area. See User's Guide for a full description of arming and disarming procedures.

The Factory Default Installer Program Code is: 1 7 2 8 3 9

2.5 Keypad Overview

Ready Light - This light is ON when all burglar zones are secure and the system is OK for arming. If this light is OFF, one or more zones are violated (not secure). For maximum security, all zones should be secured before the system is armed.

If FLASHING, one or more force-armable zones are violated. Force arming temporarily excludes violated zone(s) from the system. However, if a force armed zone becomes secure while the system is armed, it will automatically restore to service. This is handy for a garage door. The system may be armed with the door up, but once the car is backed out and the door is closed, it will become secured.

Armed Light- This light will be ON when the system is armed. The mode of arm will be indicated by the LCD display and the Exit or Stay lighted pushbuttons. This light will be OFF when the system is disarmed.

Exit Key - This lighted key may be programmed for single or double press arming to the AWAY (not occupied) mode. If the Exit light is ON the system is armed and all perimeter sensors and interior motions are active. The Away key may be pressed during the exit delay time t to convert from Away mode to Away Vacation mode. The Away Vacation mode is primarily for use with the Whenever/And/Then Rules programming of Elk-RP to invoke long term energy savings.

Stay Key - This lighted key may be programmed for single or double press arming to the STAY (occupied) mode. If the Stay light is ON the system is armed and all interior zones are excluded (bypassed). Only perimeter doors and windows are active in the Stay mode. This key may also be programmed to change to other Stay modes such as: Stay Instant, Stay Night, and Stay Night Instant. Since interior zones are automatically excluded once the Stay mode is activated, the M1 allows this key to Stay arm even while one or more interior zones are violated, provided they are programmed for "force arming". The Stay Night mode re-activates any interior night zones. To prevent a false alarm the control will not allow change to the Stay Night mode when a interior night zone is violated unless it is programmed for "Force arm".



Chime Key - Chime produces an audible tone alert whenever certain doors, windows, or other selected zones are violated. There are two selections: Tone only and Off. Whenever Chime in On the Chime key will be illuminated. In the programming mode the Chime key also functions as an insert character key for text programming.

Bypass Key - Pressing this key followed by a zone number and the bypass key again will exclude or bypass the selected zone. This key may also be used to delete a character during text programming. When the Bypass key is lit, one or more zones are bypassed.

*** Key** - This key serves as a clear or reset key. If an error is made while entering digits, pressing this key clears the error. Three presses is a master clear.

Key - This key is currently a duplicate of the Bypass key.

Numerical Keys - These keys are used for entry of passcodes, programming, etc. Keys 2 - 9 also have an assigned alpha character which are used for entering text.

Arrow Keys - The ELK and arrow keys have powerful functionality used for both normal operation and programming. Pressing the ELK key displays relative information according to each application. The arrow keys allow scrolling through all available options. The user can activate or select the displayed option by pressing the right arrow key. Once an option has been selected, the user may be prompted for a passcode. Additional sub-menu options may appear to assist. The user may return to the status screen by pressing the * key.

Keypad Menus

READY TO ARM
9:00AM 08/01/03

The control offers extended Menu Options via the center navigation “ELK” key. Some menus may require a valid code to authorize. **The Factory Default Code for USER Code 1 is: 3 4 5 6** (1 2 3 4 5 6 if the six digit code option is enabled)

Access to menus 1 to 5 can be restricted via programming to only Users that have “User Code Option 8” set. Menus 6, 7, and 8 required a Master or Installer Code. Menu 9 requires the Installer Code. Press ELK to begin, then press the UP or DOWN arrow key to select a menu. Enter a code if prompted. To select a menu press the RIGHT arrow key.

1-View/Control Automation Fncts

Allows viewing or controlling of the automation functions such as Tasks, Lighting, Outputs, Temperature Sensor, Keypad Temperature, and Thermostats. Press the RIGHT arrow key to select, then choose the desired function using the UP or DOWN arrow keys.

NOTE: The automation functions must be assigned and named using the ELK-RP software. In most cases they cannot do anything unless they have been written into one of the “Whenever/And/Then” automation rules.

1-Tasks

Tasks are like 1 button macros, performing multiple jobs with one push. To activate a task press the RIGHT arrow key and press UP or DOWN to scroll through the list of available tasks. To jump directly to a particular task, enter it’s two digit number. Once the task is displayed, all it takes to activate it is to press the # key. A rule to use the “Water the Lawn” task might be: WHENEVER “Water the Lawn” IS ACTIVATED THEN TURN ON Valve 19 FOR 5 MINUTES, etc.

Water The Lawn
01: # Activates

2-Lighting

Lighting allows the individual control of lights and/or appliances which have been assigned through the ELK-RP software. Press the RIGHT arrow key to select Lighting, then press the UP or DOWN arrow keys to scroll through the list. If you know the three digit number, you may enter it to jump directly to that Lighting/Appliance. The current state of the unit will be displayed. Press the # key to toggle (change) the unit from on > off or from off > on.

Kitchen Lights
001:=Off, # to Chg

3-Outputs

Outputs might be relays or voltages used to actuate something like a motor, fan, pump, etc. Outputs can be turned on or turned off from this menu. Press the RIGHT arrow key to select Outputs, then press the UP or DOWN arrow keys to scroll through the list. If you know the three digit number, you may enter it to jump directly to that Output. The current state of the output will display. Press the # key to toggle (change) the output from on > off or from off > on.

Pump Motor Cntrl
001:=Off, # to Chg

4-Temperature Sensor

Remote “Zone” Temperature Sensors can be read from this menu. Press the RIGHT arrow key to select this menu, then press the UP or DOWN arrow keys to scroll through the list of available sensors. To jump directly to a particular sensor enter it’s two digit number. The current temperature will be displayed. Press the * key to exit.

Outside
S01:=032 Degrees

5-Keypad Temperature

Keypad Temperature Sensors can be read from this menu. Press the RIGHT arrow key to select this menu, then press the UP or DOWN arrow keys to scroll through the list of available keypads. To jump directly to a particular keypad enter it’s two digit number. The current temperature at the keypad will be displayed. Press the * key to exit.

Keypad 01
K01:=073 Degrees

6-Thermostat Temperature

Thermostats can be read from this menu. Press the RIGHT arrow key to select this menu, then press the UP or DOWN arrow keys to scroll through the list of available thermostats. To jump directly to a particular thermostat enter it’s two digit number. The current temperature at the thermostat will be displayed. Press the * key to exit.

Hallway
T01:=072 Degrees

2-Reset Smoke Detectors

Used for resetting latched smoke detectors after a fire alarm activation..

5 Seconds Smoke Output Reset

Press the RIGHT arrow key to actuate the Reset Smoke Detector feature. This causes the power to smoke detectors to be removed for 5 seconds. During this time all fire zones will be ignored to keep an accidental alarm from occurring.

Continued on next page..

3-Walk Test Area ▶
< Area? Name >

Menu 3 permits a local walk test of all zones assigned to this keypad's area. The siren(s) and communicator are disabled during a walk test. Press the RIGHT arrow key to begin a Walk Test. The keypad displays the total tested zones adjacent to the total number of zones involved. When a zone is activated, it's name is displayed across the bottom and can be audible if the Chime mode is on.

000of016 Tested ▶
A?-Violate Zones

4-View History ▶
Log

Allows viewing of the past 512 activities stored in the history log. Press the RIGHT arrow key to view the History Log. History activities include: Arm, Disarm, Alarm, Trouble, etc. The top line displays the Log number, Mth/Day, Time, and event description.

L001:01/01◆08:00
AreaArmed 103A1

L001 is always the most recent event. Press the UP or DOWN arrow keys to move forward and back. Event 512 will be the oldest event. The bottom line displays the event description, the extended data (zone, user, etc.) and the area number (A1-A8).

5-View Status ▶
of all zones

Allows viewing of the current status of all zones. Press the RIGHT arrow key to select. Press UP or DOWN to scroll through the zones or enter a three digit number to jump directly to a particular zone. I.E. for zone 8 enter 008. Press the * key to exit.

6-Change ▶
User Codes

Requires Master or
Installer Code

For changing a user code and/or name for codes which have been previously enabled by the Installer. Only a Master code OR the installer code can access this menu. Press the RIGHT arrow key to begin. Press UP or DOWN keys to locate a user, or enter 3 digits to jump. Press RIGHT arrow key to view the existing code. To change, enter the new code digits and listen for 3 beeps to confirm. To edit the name, press the RIGHT arrow key once, then press the DOWN arrow key. Enter the text using the letters on the keys. I.E. For "K" press the 5 key twice. Move RIGHT or LEFT with the arrow keys. Press Chime to insert a space. Press Bypass to erase a letter. The UP and DOWN arrow keys shift from upper to lower case letters. Press the ELK key to save and exit.

001:Sel◆ Prg▶
< User Name >

7--Automation ▶
Custom Settings

Requires Master or
Installer Code

Allows an end user to change up to 20 settings incorporated into an automation rule. These settings can be: time of day, time duration (seconds), or a numeric value. Each custom setting has a reference number (CS) and a text description: I.E. CS01: Sprklr On 00:00 [Time] implying a time of day setting. Press the RIGHT arrow key to begin.

CS01:◆00:00Time▶
Sprklr On

Press the UP or DOWN arrow keys to locate a setting, then press the RIGHT arrow key to select. Enter the new value and press the ELK key to save and exit.

8-System ▶
Settings

Requires Master or
Installer Code

Menu 8 consists of 8 sub-menus used for advanced system settings. Press the right arrow key and enter a valid user code. Press the UP or DOWN arrow keys to select a sub-menu or enter the one digit number to jump directly to any sub-menu. I.E. enter 6 to jump to 86.

81-Set Sys Clock ▶
24hr format

To set the system clock press the RIGHT arrow key, then press the UP or DOWN arrow key to select the day. Next, press the RIGHT arrow key to move to Date/Time setting. Enter two digits for month, date, year, hour, and min. To exit press the * key.

82-Not Used

83-Keypad ▶
Adjustments

To set keypad adjustments press the RIGHT arrow key. Then press the UP or DOWN keys to select one of the three options.

1:Set Keypad ▶
Beep Tone

To set keypad beep tones press the RIGHT arrow key, then select the desired tone using the UP or DOWN keys. There are 9 settings (0-8). When done, exit by pressing the * key.

2:Set Keypress ▶
Beep Volume

To set key-press beep volume press the RIGHT arrow key, then select the desired volume using the UP or DOWN keys. There are 7 volume levels (1-7) plus Off (0). To exit press the * key.

3:Set Backlight ▶
Dim Level

To set backlight dim level press the RIGHT arrow key, then select the desired level using the UP or DOWN keys. There are 9 backlight levels (1-9) plus Off (0). The keypad automatically dims to this setting after 30 seconds of no activity in order to save energy. To exit press the * key.

84-System Tests

To perform system tests press the right arrow key. Then press the up or down arrow keys to select one of the three tests.

1:Battery Test for 30 Seconds

The control's standby battery is load tested automatically every 24hrs. However, it can also be manually load tested anytime using this option. Press the right arrow key to start the test. The battery is placed under load for 30 seconds and the battery voltage and system current is displayed. If the battery falls below a set level, a Low Battery trouble will occur. If it's necessary to replace the battery, this test should be used to test and clear a Low Battery Trouble condition.

2:LCD Test

To test the keypad's LCD screen press the RIGHT arrow key. The entire screen should appear black indicating all pixels are working. To exit press the * key.

3:Communicator Manual Test

To manually test the communicator (dialer) press the RIGHT arrow key. Testing is done using the first phone number that is programmed to send a test code. If there is no phone number programmed to send a test code, the test will end. To exit this menu press the * key.

Send Test Silently

There are two types of test, silent and monitored. To silently send a test press the right arrow key from this display. To hear the test using the inside speakers (OUT1) press the up or down arrow key to bring up the following display.

Clear Pending Dialer Reports

This special option allows any pending (not reported) dialer communications to be cleared or cancelled. Typically this will be used only for initial installation and testing.

NOTE: ALWAYS NOTIFY THE MONITORING STATION BEFORE TESTING THE DIALER! If the test should fail, a Comm Fail trouble will occur. To clear a Comm Fail the dialer must be able to complete a good communication.

85-Connect 'RP' Remote Program

To connect ELK's Remote Program PC software (RP) via the user assisted method, press the RIGHT arrow key and then select the connection mode with the UP or DOWN arrow keys.

1:Seize Line Attended Mode

1:Seize Line Attended Mode - 1) Allows RP connection to begin on an already established voice connection between the control phone line and the RP Computer. 2) Also useful for manually answering an incoming call from the RP Computer with programming Rings to Auto Answer.

2:Seize Line UnAttended Mode

2:Seize Line Unattended Mode - Pressing the RIGHT arrow key causes the control to dial the programmed RP telephone number. The RP Computer must be in the "wait for call" mode.

86-System Diagnostics

This is a collection of tools for diagnosing system problems. Press the RIGHT arrow key and enter a valid user code to begin. Press the UP or DOWN keys to select one of the four tools:

1:DataBusErrors T2A1 Retry 00000

This tool is useful for determining if data bus errors are accumulating. It displays the device type and number of retries accumulated since the last power-up.

2:Sys Volt/Curr 13.8V 0.440Amps

This tool displays the control's voltage and the average current being drawn from the power supply.

3:Zone=001 Volts Display Level

This tool allows the voltage on each zone to be displayed in real time. It changes as contacts or devices are violated. Press the RIGHT arrow key to begin.

Zn=001 Volt=07.2 L04.6 H09.0 A132

Use the UP or DOWN keys to scroll through each zone. The displayed information consists of: the present zone voltage, the L low and H high alarm thresholds, and the analog (A to D) equivalent of the zone voltage..

4:LastOnHookTele Line V=57,+ -20%

This is a read only screen displaying the telephone line voltage during the last on-hook condition. It is an approximate measurement accurate to only +-20%.

9-Installation Programming (0)

Requires Installer Code

From this menu you may press the RIGHT arrow to enter Installation Level Programming. If the Installer Programming Code has not already been entered it will be required at this time. **REFER TO PAGE 20 FOR PROGRAMMING INSTRUCTIONS**

NOTE: The ElkRP software can be used to lockout certain local program capabilities for “anti-takeover” purposes. The number in the lower right corner of this menu will indicate the level of lockout as follows: (0) = No lockout, (1)=Lockout Telephone number programming - view everything, (2)=Lockout ALL programming - view everything, (3)=Lockout ALL Programming and Viewing. This can only be set or removed from the ELK-RP Remote Programming Software.

Menu 0 - Select Keypad Alternate Area - Multi-area (Partition) Operation

This menu allows the keypad to be mapped temporarily to any other area, allowing multi-area (partitioned) operation. An individually mapped area can be armed, disarmed, and controlled just as if the keypad were permanently assigned to that area. It may also be used to access a consolidated display of all areas at once, showing the status of each area.

To reach the keypad menus press the center navigation key labeled “ELK”. A user code may be required depending on how the control is programmed. The four arrow keys around the Elk key are used to scroll, backup, etc. Pressing the RIGHT arrow key will select the displayed menu.

1. Press the ELK key. Enter a user code if prompted.
2. Use the UP or DOWN arrow keys to find menu “0-Select Keypad Alternate Area”.

0-Select Keypad Alternate Area

Press the RIGHT arrow key to select this menu and display the following:

Auth. Required Enter Valid PIN

Enter a valid user code. The control does not allow (restricts) mapping or viewing of areas that are not authorized for the user code.

MAPPING TO AN INDIVIDUAL AREA

Enter an area number from 1 to 8 OR scroll UP and DOWN with the arrow keys.

ChangeKPArea-1 [Area Name] A1

Press the Right Arrow key to map the Keypad to the area shown. The LCD display and the Ready / Armed LEDs will show the status for the mapped area for 1 minute. During this minute, it is possible to arm, disarm, bypass, etc. the mapped area from this keypad. Each time a key is pressed the 1 minute is restarted. However, after 1 minute of no keypress activity, the keypad will return to its original primary assigned area.

ACCESSING A CONSOLIDATED DISPLAY OF ALL VALID AREAS

Entering “0” for the area number immediately maps the Keypad to a consolidated ‘snapshot’ of all authorized areas. This permits quick arming and disarming only. If an area is not ready to arm it will be necessary to map individually to that area to view the violated zone(s) and either secure or bypass them prior to arming.

ChangeKPArea-0 0=All Areas

Area# 1 2 3 4 5 6 7 8
Status X r r r r r r r

This example shows all 8 areas, meaning that the User Code was valid for all 8. The display only shows the areas for which the user code is authorized. Note the letter beneath each area number.

The single upper case “X” indicates the primary area. This area is controlled exclusively from the regular operation screens.
A lower case “r” below an area indicates the area is Ready to Arm.
A lower case “n” below an area indicates the area is Not Ready.
An upper case “A” below an area indicates the area is Armed.
This example shows the user code was only authorized for areas 1, 2, and 3. The unauthorized area(s) have a “-” below them.

Area# 1 2 3 4 5 6 7 8
Status X r r - - - - r

To change or ‘toggle’ the arm status of an area, press the number key representing the area number. IMPORTANT: The area status is not “real time”. It is a snapshot taken when the RIGHT arrow key was pressed. If a zone has since become violated the area will still be displaying “r”, however the letter will immediately change to “n” and the keypad will emit an error tone when an attempt is made to arm by pressing the area number.

When finished, press the “*” key to exit.

Section 3 - Programming The Control

3.1 Introduction

The Security functionality of the Control can be programmed either from an ELK-M1KP LCD Keypad OR from the ELK-RP PC Software. The keypad features a menu-driven "Text" based interface with simple Yes/No answers for most options. After just a short amount of experience the average installer will not even require an instruction manual to keypad program the control.

For the Automation functionality the ELK-RP PC Software is a requirement. The options and capabilities available for automation are so unique and powerful that it takes a PC to make use of all the benefits. The control features a powerful "Whenever/And/Then" RULES based programming that allows almost any imaginable operation.

3.2 Local Keypad Programming

There are two levels of operation for programming the control locally, user level and installer level.

- User level programming provides the ability to add, change, or delete user passcodes and names. It also allows custom automation settings to be viewed and changed. A master user code is required to access the user code and custom settings screens. User programming is explained in the User's Guide.

- Installer level programming allows total customizing of the Security operating features. Only the installer code may access this level. If the installer code is lost or forgotten, it is impossible to program the control locally. Anyone attempting installer level programming should be familiar with the contents of this publication prior to programming the control panel. If remote programming is used, it is possible to "lock out" or prevent takeover of a control by another installation company by selecting "Lockout Local Prog." This prevents the installer passcode from gaining access to programming via an LCD keypad. The installer passcode may still be used for the non-programming functions described in Chapter 2. Lockout Local Prog does not affect remote programming.

3.3 Local or Remote Computer Programming (ELK-RP) and Anti-Takeover

ELK-RP programming utilizes extensive error checking and security safeguards, including data encryption, password log-on, serial number, and dealer assigned RP access code. The serial # identifies the control to RP while the RP access code identifies the computer to the control prior to a programming session. RP loads the access code during the first connection. It cannot be viewed or changed from local keypad programming. In addition to these safeguards, you can set an anti-takeover option from RP which prevents certain keypad programming. Even a total default of the panel programming cannot reset the anti-takeover option once it is set..

The Factory Default Elk-RP Access Code is: 2 4 6 8 0 1

3.4 Area Partitioning

The control may be divided into 1 to 8 independent areas (partitions). Each area appears as a full-featured system, allowing one control to be shared by multiple, independent departments within a common structure. Zones, User Codes, and Keypads may be assigned to any 1 area up to the maximum number available. An example is a single business divided into separate departments, each department occupied by different employees. Mount the control in a secure area (common utility closet) with dedicated and uninterrupted AC power and telephone service. Then assign zones, codes, and keypads to each department.

The Alarm Output (Output 2) activates on all alarms, regardless of the area. The RP Software Rules can be used create additional (separate) outputs. When reporting to the central station events like AC Power Failure, Automatic tests, Low Battery, etc., are considered system reports and are transmitted using the Area 1 account number. If area partitioning is not desired, simply designate all zones to a single area (Area 1) which is the factory default setting for zones 1-8.

COMMON AREA - Another popular feature is the ability to have one or more areas made "common" to Area 1. This is often referred to as a "Vestibule Feature". Any of the Areas 2 thru 8 may be made common to Area 1. The result is: Area 1 cannot be armed until all its common areas are armed. Once armed, Area 1 will disarm if any common area becomes disarmed. This is good for lobbies or vestibules shared by two or more businesses. Each business must have their own area keypad.

NOTE: If you want Area 1 to automatically arm when all its common areas become armed, use a Whenever/And/Then rule from the RP software to do this.

3.5 Communicator Setup Checklist

The Communicator (Dialer) can dial up to 8 telephone numbers in addition to the RP computer. Digital reporting formats include: Pulse 4+2, SIA, Contact ID, and Pager. Use the following checklist for each required telephone number.

- Under Menu 08 - Telephone Account Setup, select one of the telephone numbers and program the following:
Option 01: Select the desired reporting format - 0=Disable, 1=Contact ID, 2=SIA, 3=Pulse 4+2, 4=Pager.
Option 02: Set the priority for the first (primary number) to 0 = Always Report.
Option 03: Program the telephone number digits to be dialed. No special start or ending characters are required.
Option 04: Set the dial attempts to greater than 0. For Digital reports 8 is suggested.
Option 05: Program the digits for the account number to report. Each area (partition) has its own Acct. Number.
Option 13: Select Yes to have Area info, Zone Alarms, Zone Restores, and Zone Unbypasses reported to this Tel #.
Option 14: Select Yes if you wish to have Zone Bypasses reported to this Tel #.
Option 15: Select Yes if you wish to have Zone Troubles reported to this Tel #.
Option 16: Select Yes if you wish to have User (Open/Close) Reports reported to this Tel #.
Option 17: Select Yes if you wish to have Global System Events (AC Fail, Low Battery, etc.) reported to this Tel #.
Option 18: Although not required, you may program a text name for each telephone number.
- Under Menu 09 - Area Reporting Codes, select the area (partition) and program the desired options such as: Dialer Delay, Alarm Abort, Auto Open/Closings, etc. then .
- Under Menu 10 - Zone Reporting Codes, select the zone number and program the desired options such as: Zone Alarms, Restores, Bypasses, or Trouble.
Option A: For Zone Alarm program a two digit code. To have the automatic SIA or Contact ID report codes transmitted simply program a nonzero value. I.E. Program a 1 (01).
Option R: For Zone Restore program a two digit code. For automatic SIA or Contact ID codes program a 1 (01).
Option B: For Zone Bypass program a two digit code. For automatic SIA or Contact ID codes program a 1 (01).
Option T: For Zone Trouble program a two digit code. For automatic SIA or Contact ID codes program a 1 (01).
- Under Menu 11 - F Key Reporting Codes, select and program the alarm code for each desired Keypad Panic Key. NOTE: Keypad Panics only have Alarm report codes, they do not have restore codes. For automatic SIA or Contact ID codes program a 1 (01).
- Under Menu 12 - Sys Report Code Options & Codes, select and program each desired option such as: AC Fail, Low Battery, Automatic Test, and other system wide options, including the time values for certain options. For automatic SIA or Contact ID report codes program a 1 (01).
- Under Menu 13 - User Report Codes, select and program an Open or Close report code for any User(s) that you wish to track arm/disarm events, including arm/disarm by the Installer Code or Elk-RP computer.

3.6 Entering Installer Level Programming

- Press the center 'ELK' key once followed by the DOWN arrow key until display reads "9-Installation Programming". NOTE: The keypad may beep and display the following:
- Enter the Installer Program Code when required.
Press the right arrow key to select the "Installation Programming" option.



The Factory Default Installer Program Code is: 1 7 2 8 3 9

For security against unauthorized programming changes, the installer code should be changed from its factory default setting. This can be done from Menu 07 - Globals System Definitions, Option 42.

Once the Installer Code has been entered, the first programming menu will display and a 4 minute timer will be started. If there is no key-press activity during this time period the control will automatically exit from the programming mode. It is easy to navigate around and between the programming menus and options using the up and down arrow keys. When the correct menu or option is located, press the right arrow key to proceed into that menu.

Refer to the Quick Reference Guide on the following page to locate a particular menu or to see what options appear under each menu. Refer to the individual menus and their option descriptions for details about each of the programmable items.

ELK-EZ8 QUICK REFERENCE - MENU PROGRAMMING

<p>Menu 01 Bus Mod Enroll</p> <p>Enrolling -Disp Totat Modules -Allow Module Edit</p>	<p>Menu 06 Cutoff Timers</p> <p>(1) Burglar (2) Fire (3) Medical (4) Police (5) Carbon Mon (6) Emergency (7) Freeze (8) Gas (9) Heat (10) Water (11) Aux1 24hr (12) Aux2 24hr</p>	<p>Menu 07 Global Options (cont.)</p> <p>(26) Out 2 Change to Voltage (27) Out 2 Delay Time (28) Out 2 Sgl Alarm Lockout (29) Rings til Answer (30) Ring/Hang/Answer (31) 2 Way Listen-in Enable (32) 2 Way Callback Time (33) CS Alm Verify Time (34) Baud Rate Port 0 (35) Xmit Event Log (36) Xmit Zone Changes (37) Xmit Output Changes (38) Xmit Task Changes (39) Xmit Light Changes (40) Xmit Keypad Keys (41) Req Code User Menu 1-5 (42) Local Prog. Code (43) Serial Number [Read Only] (44) Software Ver. [Read Only] (45) Default Control Options (81) Default User Codes (82) Default Areas Data (83) Default Keypads Data (84) Default Zones Data (85) Default Zone Names (86) Default Cutoff Timers (87) Default Global Data (88) Default Telephone Data (89) Default Telephone Numbers (90) Default Area Report Codes (91) Default Zone Report Codes (92) Default System Report Codes (93) Default User Report Codes (95) Default Wireless Definitions (99) Default Entire Control Panel</p>	<p>Menu 08 Telephone #'s & Accts</p> <p><u>Telephone #1</u> (1) Always Report (2) Number (3) Format (4) Attempts (5) Acct #1 (6) Acct #2 (7) Acct #3 (8) Acct #4 (9) Acct #5 (10) Acct #6 (11) Acct #7 (12) Acct #8 (13) Report Area/Alm /Rest/Unbypass (14) Report Zn Bypass (15) Report Zn Troubles (16) Report User Op/Ci (17) Report Sys Globals (18) [Name]</p>	<p>Menu 09 Area Report Codes</p> <p><u>Area 1</u> (1) Dial Delay Time (2) Abort Code (3) Cancel Time (4) Cancel Code (5) Close Auto (6) Close Early (7) Close Extended (8) Fail to Close (9) Late Close (10) Keyswitch Close (11) Duress Code (12) Open After Alarm (13) Open Early (14) Fail to Open (15) Open Late (16) Keyswitch Open (17) User Lockout (18) Exit Error (19) Fail to Comm</p>	<p>Menu 10 Zone Rpt Codes</p> <p><u>Zone #1</u> Alarm Code Restore Code Bypass Code Trouble Code</p>	<p>Menu 11 Keypad Report Codes</p> <p><u>Keypad 1</u> (1) F1 Key Alarm (2) F2 Key Alarm (3) F3 Key Alarm (4) F4 Key Alarm (5) F5 Key Alarm (6) F6 Key Alarm</p>	<p>Menu 12 System Rpt Codes</p> <p>(1) AC Fail Delay (2) AC Fail Code (3) Auto Test Code (4) TstTime hr:mm (5) Days betweenTest (6) Not Used (7) Exp Module Tbl (8) Installer Begin (9) Installer End (10) Log 80% Full (11) Low Battery (12) Memory Error (13) RP Download (14) Tel Line Fault (15) Output 2 Tbl</p>	<p>Menu 13 User Rpt Codes</p> <p><u>User #1</u> (1) Open Code Close Code</p> <p><u>User 100</u> - Installer- (1) Open Code Close Code</p> <p><u>User 101</u> - RP Computer Upload/Download (1) Open Code Close Code</p>	<p>Menu 14 Wireless Defs</p> <p><u>1. ReceiverOptions</u> (1) Receiver Size (2) ZnBank(Start Zn) (3) Reg Supv. Hrs. (4) Fire Supv. Hrs.</p> <p><u>2. Transmitter Opts</u> ^ Select Transmitter (1) Enable Xmtr. (2) Supv. Type (3) Enable Option 1 (4) Enable Option 2 (5) Keyfob User ID <u>3. Learn Transmitter</u> ^ Select Transmitter (1) Xmtr to Learn (2) Push Xmtr <u>4. Keyfob Event Def.</u> (1) Button 1 Code (2) Button 2 Code (3) Button 3 Code (4) Button 4 Code (5) Button 5 Code (6) Button 6 Code (7) Button 7 Code (8) Button 8 Code</p>
<p>Menu 02 User Code Auth.</p> <p><u>User 1</u> (1) Area # (2) Arm (3) Disarm (4) Bypass (5) Access (6) Temporary (7) Master (8) Menu 1-5 (9) Duress (10) [Name]</p>	<p>Menu 04 Keypad Defs</p> <p><u>Keypad 1</u> (1) Area Assgn (2) Silent Entry (3) Silent Exit (4) Silent Chime (5) Dark in 60 sec (6) Show Date/Time (7) Show Temp (8) Show Area (9) Byp Req Code (10) F1 Key Def. (11) F2 Key Def (12) F3 Key Def (13) F4 Key Def (14) F5 Key Def (15) F6 Key Def (16) [Name]</p>	<p>Menu 05 Zone Defs</p> <p><u>Zone 1</u> (1) Definition (2) Type (3) Area Assign (4) Silent Alarm (5) Dialer Delay (6) Listen-In (7) Bypass (8) Force Arm (9) Swinger (10) Per. Trip (11) Fast Loop (12) Chime (13) Cross Zn (14) [Name]</p>	<p>Menu 03 Area Defs</p> <p><u>Area 1</u> (1) Exit Delay 1 (2) Entry Delay 1 (3) Exit Delay 2 (4) Entry Delay 2 (5) Auto Stay (6) Exit Restart (7) Closing Ringback (8) SglKey Quickarm (9) DblKey Quickarm (10) StayKeyScroll (11) Stay Instant (12) Night Scroll (13) Night Instant (14) StayChgArmed (15) [Name]</p>						

Menu 01 - Bus Module Enrollment



Press RIGHT arrow key to select this menu. Press UP or DOWN arrow keys to select another menu. The ELK key backs up one menu level. To exit press the * or Exit key.

NOTE: Every data bus device: Keypad, Input (Zone) Expander, Output Expander, etc. MUST have a unique address within its type. This menu is then used to enroll the device into the system. SEE DETAILS BELOW:

Bus Module Enroll

Description of Option



Press the RIGHT arrow key to select this menu and automatically start the bus enrollment process. ALL data bus devices which are presently connected to the data bus should become enrolled.



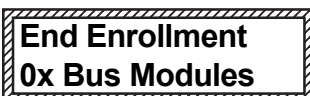
The enrollment process only takes a few seconds. Once complete, this summary screen will appear displaying the total number of bus modules that were found and enrolled. **To edit and/or view the devices individually, press the RIGHT arrow key one time.**



Each enrolled keypad/device can be viewed one by one. The first device will always be Keypad 1 with a T1 (for type 1) and Addr=01 (for address 01). As explained below, different kinds of devices can be identified by their device "Type". Pressing the Up or Down arrow keys will scroll through each enrolled device.



If a device is removed from the data bus, it should be removed by repeating the enrollment process. The control will only enroll the devices that are connected. It will remove any previously enrolled devices that it does not see.



After the last device is reviewed, the next press of the Up arrow key moves to the "End Enrollment" screen which once again displays the total number of devices enrolled.

DATA BUS DEVICE TYPES AND ADDRESSES: Each data bus device is a specific "Device Type". Keypads are TYPE 1, Input (Zone) Expanders are TYPE 2, Output Expanders are TYPE 3, Serial Port Expanders are TYPE 5. Any new devices designed will be assigned a Device Type. Every data bus device **MUST** have a unique "Address" setting within its type. Valid Input Expanders addresses are 2 to 13, Output Expander addresses are 1 to 13. The address determines the starting and ending zone or output numbers for that expander. See chart below:

Addr	Input Exp	Output Exp	Addr	Input Exp	Output Exp.	Addr	Input Exp	Output Exp.
1	= N/A (main bd)	Outputs 1-16	6	= Zone 81-96	Output 65-80	11	= Zone 161-176	Output 161-176
2	= Zone 17-32	Output 17-32	7	= Zone 97-112	Output 97-112	12	= Zone 177-192	Output 177-192
3	= Zone 33-48	Output 33-48	8	= Zone 113-128	Output 113-128	13	= Zone 193-208	Output 193-208
4	= Zone 49-64	Output 49-64	9	= Zone 129-144	Output 129-144			
5	= Zone 65-80	Output 65-80	10	= Zone 145-160	Output 145-160			

INPUT AND OUTPUT EXPANDER ADDRESSES: Locate the bank of four white (DIP) switches along the top edge of the board. Each switch has a position of Off or On (0 or 1) and a binary value (1, 2, 4, 8). The addition of the binary values (sum total) for the switches set to the On position determines the data bus address. For example: Data bus address 5 is set by placing switches 1 and 4 to the On position (1 + 4 = 5). All other switches must be in the down or Off position.

KEYPAD ADDRESSES: All keypads are factory set to address 1. Valid addresses are 1 to 16. The first keypad on the system (Keypad 1) is automatically enrolled upon power up. Each additional keypad must be assigned a unique address and then manually enrolled from "Menu 1 - Bus Module Enrollment". To set the address on a keypad do the following:

1. Hold down a key while applying power OR press and hold the (Asterisk) "*" and F5 keys for 5 seconds.
2. Press the F1 key, then use the UP or DOWN arrow keys to set the desired address number.
3. Press the EXIT key when done.

NOTE: If a device is removed from the data bus, it should be un-enrolled to prevent a trouble. To replace a defective device, set the address to the same value as the old unit and initiate the Bus Enrollment process.

Menu 02 - User Code Options

02-UserCode Optn
Code used to: ▶

Press RIGHT arrow key to select this menu. Press UP or DOWN arrow keys to select another menu. The ELK key backs up one menu level. To exit press the * or Exit key.

Default Code for User Code 1 is: 3 4 5 6 Note: If six digit code option is enabled, the default will be 1 2 3 4 5 6. See Menu 07 - Global System Definitions, Option G11

User Code Options

Description of Option

001: Sel◄ Prg▶
User 1

There are 99 potential User codes. User 1 (001) is the first to display. Press the right arrow key to program, or press the up or down arrow keys to select another user. Enter three digits to jump to a specific user. The user name is displayed along the bottom.

001 01:12345678 ▶
Code used inArea

This option assigns the areas(s) in which this code may be used. For example: if the numbers 1,2, & 4 are displayed, the code may be used in those areas. To assign or remove an area press the numbers keys 1 thru 8. Each press toggles the number on/off.

001 02:=Yes ▶
Arm with Code

Selects Arm privileges. If Yes, this code can Arm it's assigned area(s) (see option 01 above) from a keypad that is also assigned to the desired area. If No, this code cannot be used to Arm.

001 03:=Yes ▶
Disarm with Code

Selects Disarm privileges. If Yes, this user code can Disarm it's assigned area(s) (see option 01 above) from a keypad that is also assigned to the desired area. If No, this code cannot be used to Disarm.

001 04:=Yes ▶
Bypass with Code

A Yes allows this code to Bypass zones whenever Menu 04-Keypad Definitions, Option 09, "Byp Key Req PIN" is set to Yes. Code and Keypad must be in the same area. Default value for both these options is No (code not required for bypass).

001 05:=No ▶
Access with Code

A Yes allows this code to activate the Access Keypad Events 1313-1328 for the keypad where code is entered. Use the Whenever/And/Then Rules from Elk-RP to assign an output to this event for tripping a door strike or lock. **Note: If this code is enabled for arming, it will be necessary to press the Exit or Stay key to arm after the code.**

001 06:=No ▶
Temporary Code

If Yes, this code can only disarm if the control was armed by it or another temporary code. In other words: A temporary code cannot disarm the control if a regular code was used to arm. A temporary code might be used for cleaning, repair personnel, etc.

001 07:=Yes ▶
Master Code

A Master Code can be used to review, change, or delete other users, and to modify selected system options. Only one Master code is needed per system. For security purposed, multiple Master codes are not recommended.

001 08:=No ▶
Menu 1-5 Allowed

When Menu 07 - Global System Definitions, Option 41, "Require Code User Menu 1-5" is set to a Yes, this option is then used to set which codes are allowed to access Menus 1 - 5. **NOTE: Menus 6, 7, and 8 are only available to a Master or Installer code.**

001 09:=No ▶
Duress

If Yes, this code will cause a silent Duress or "holdup" alarm to activate when the code is used to arm or disarm the system. **CAUTION: The communicator report code MUST also be programmed! This feature is dangerous and should be used with caution.**

001 10:Usr Name ◀
User1

To edit the User (Name) text press the left arrow key. Enter text using the number keys. I.E. For a "K" press the 5 key twice. To move the cursor, press the RIGHT or LEFT arrow keys. The Chime key inserts a space, the Bypass key erases 1 digit. The up/down keys to toggle between upper and lower case. Press the ELK key when complete.

Menu 03 - Area Definitions

Press RIGHT arrow key to select this menu. Press UP or DOWN arrow keys to select another menu. The ELK key backs up one menu level. To exit press the * or Exit key.

03-Area
Definitions ▶

Area Defintions

Description of Option

A1: Sel◄ Prg▶
Area 1

Of the 8 potential areas (partitions), Area 1 is the first to display. Press the right arrow key to program, or press the up or down arrow keys to select another area. To jump to a specific area enter the number (1-8). The area name is displayed on the bottom.

A1 01:=060 ▶
Exit Delay1 Time

The amount of exit time in seconds for all zones programmed as Exit Delay 1. Range is 045 to 255 seconds. Default value is 060. **NOTE: Due to the way force arm works, if an Exit Delay 1 zone also has force arm enabled, its exit time will be the greater of the time values for Exit Delay 1 or Exit Delay 2. Do not enable force arm on Exit Delay 1 zones if this operation is not desired.**

A1 02:=030 ▶
Entry Delay1Time

The amount of entry delay time in seconds for zones programmed as Entry Delay 1. Range is 030 to 255 seconds. Default value is 030.

A1 03:=060 ▶
Exit Delay2 Time

The amount of exit delay time in seconds for zones programmed as Exit Delay 2. Range is 045 to 255 seconds. Default value is 060. **See note above regarding force arm and Exit Delay 1 zones.**

A1 04:=030 ▶
Entry Delay2Time

The amount of entry delay time in seconds for zones programmed as Entry Delay 2. Range is 030 to 255 seconds. Default value is 030.

A1 05:=No ▶
AutoStay No Exit

If Yes, the control will switch from AWAY mode to STAY mode at the end of the exit delay time if no exit zone is violated (no exit detected). **NOTE: This tracks the longest of the two exit timers.** All interior zones are bypassed in the STAY mode. Default value is No.

A1 06:=Yes ▶
Exit1TimeRestart

If this option is set to Yes (default), the exit procedures will be affected in three ways:

1) ADDITIONAL EXIT1 "GRACE" FEATURE - During the initial Exit Delay 1 time if the zone violates a second time and restores, the exit timer will automatically restart one time. I.E. If the Exit1 door is opened, closed, and then opened again the timer will restart. **NOTE: This only works on Exit Delay 1 zones and the timer only restarts one time. It does NOT work if the zone is enabled for force arm!** This features complies with the SIA CP-01 false alarm reduction standard.

2) SPOUSE "LEAVE FOR WORK" OR "LET PET OUT" FEATURE - If the system is armed in one of the Stay modes, a User may press the Exit key to re-start the exit delay time in order to open an exit/entry door and leave for work. The system remains in the Stay mode for remaining family members that are still in the house. This can also be used to let a pet outdoors. When the pet is ready to come back inside the User simply presses the Exit key again to restart the timer.

3) GOING FROM STAY MODE TO AWAY MODE - If the system is armed in one of the Stay modes, a User may change the arm mode to Away. This is done by pressing the Exit key twice in short succession (within 3 seconds) and leaving the building.

* SIA
CP-01

Exit Error If an entry/exit zone is violated at the time the Exit Delay time expires, the **Exit Error Feature** will be activated. The local siren will sound immediately and the Entry Delay warning will begin. If the control is not disarmed before the Entry Delay expires, the communicator will report the alarm along with an Exit Error code, provided these codes are programmed. An Exit Error event flag will also be set which can be used by the "Whenever/And/Then" rules (refer to the ELK-RP software) to sound a siren, or blink a light, or whatever. Exit Error feature complies with the SIA CP-1 false alarm reduction standard.

* SIA
CP-01

Menu 03 - Area Definitions (continued)

Area Definitions	Description of Option
A1 07:=No Send Closing Ringback	If Yes, a Closing Ringback signal (otherwise known as closing report successful) will be sent to all the keypads when the Communicator transmits a closing report and the Central Station Receiver kissoff (acknowledgement) is received. The Exit Delay time will be restarted at this time. The default value is No.
A1 08:=Yes Sgl Key Quickarm	If Yes, the control can be armed by a single press of the Exit or Stay keys. No code is required except to disarm. Note: This option cannot be set to Yes if “DbI Key Quick Arm” (see below) is set to Yes. The default value is Yes.
A1 09:=No DbIKeyQuickArm	If Yes, the system can be armed by a double press of the Exit or Stay keys. The second press must follow the first very quickly. Note: This option cannot be set to Yes if “Sgl Key Quick Arm” (see above) is set to Yes. The default value is No.
A1 10:=Yes Stay Key Scroll	If Yes, the Stay key may be pressed during the exit delay time to scroll (step) through the selected levels of Stay arming. I.E. Stay Instant, Stay Night, etc. The options below select the levels that will be available. The default value is Yes.
A1 11:=No StayInstantScr	If Yes, AND option 10 is set to Yes, multiple presses of the Stay key during exit delay will be able to scroll to the Stay Instant arming level. The default value is No.
A1 12:=Yes Night Scroll	If Yes, AND option 10 is set to Yes, multiple presses of the Stay key during exit delay will be able to scroll to the Stay Night arming level. The default value is Yes.
A1 13:=No NightInstantScr	If Yes, AND option 10 is set to Yes, multiple presses of the Stay key during exit delay will be able to scroll to the Stay Night Instant arming level. The default value is No.
A1 14:=No StayChgIfArmed	This option should be used with caution. If Yes, the Stay key may be used to scroll or step the armed level after exit delay has expired and the control is fully armed. The default value is No.
A1 15:AreaName Area 1	To program the text description of the Area (Name) press the left arrow key. Enter text using the number keys. I.E. For a “K” press the 5 key twice. To move the cursor press the right or left arrow keys. While programming the text, pressing the Chime key inserts a space, and the Bypass key erases 1 digit. The up and down arrow keys toggle between upper and lower case. Press the ELK key when complete.

VACATION MODE: During the exit delay time the Away key may be pressed to convert from Away mode to Away Vacation mode. The Away Vacation mode does not alter any of the security arming times or zones. Its primary purpose is for use with the Whenever/And/Then Rules programming of Elk-RP for enhanced energy savings modes.

AUTO ARMING: The control has an Auto Arming feature which may be setup using the “Whenever/And/Then Rules” in the ELK-RP PC Programming Software. Basically, a rule must be written to initiate the auto arm sequence at a specific time and/or date occurrence along with a programmable pre-warning time period. At the end of the pre-warn time, the system will automatically arm to the AWAY mode, bypassing any violated Burglar zones. All area keypad(s) will beep and display a warning when the initiating time occurs. Pressing the * key clears this warning for 1 minute. The auto arm time may be extended in 10 minute increments by pressing the RIGHT arrow key. No further warnings will occur until 10 minutes prior to the newly “extended” auto arm time. *Example 1:* If a scheduled AutoArm is set for 06:00pm with a pre-warn time of 20 minutes, the warning will start at 6:00pm and the auto arm will occur at 6:20pm. Pressing the RIGHT arrow key to extend the time will cause the new auto arm time to be 6:30pm.

Menu 04 - Keypad Definitions

Press RIGHT arrow key to select this menu. Press UP or DOWN arrow keys to select another menu. The ELK key backs up one menu level. To exit press the * or Exit key.

04-Keypad Definitions

Keypad Definitions

Description of Option

KP01: Sel◀ Prg▶
Keypad 1

Up to 16 Keypads may be connected. Keypad 1 is the first to display. Press the right arrow key to program, or press the up or down arrow keys to select another keypad. To jump to any keypad enter the number (1-16). The keypad name displays on the bottom.

KP01 01:=1 ▶
Area Assigned To

A keypad can only be assigned as primary for a single area. However, it is possible to "Map" a keypad to another area. Refer to Keypad Menus for instructions. Select which "primary" area (1 to 8) that the keypad should be assigned. The default value is 1.

KP01 02:=No ▶
Silent on Entry

If Yes, the keypad will not produce an entry warning signal during entry delay time after violation of a delay 1 or delay 2 zone while armed. The default value is No.

KP01 03:=No ▶
Silent on Exit

If Yes, the keypad will not produce an exit warning tone during exit delay 1 or exit delay 2 times upon arming. The default value is No.

KP01 04:=No ▶
Silent on Chime

If Yes, the keypad will not produce any Chime tone even though the Chime mode may be on and a chime type zone is violated. This is good for a baby's room, etc. The default value is No.

KP01 05:=No ▶
Go dark in 60sec

If Yes, the keypad will turn off all backlighting, including Armed or Ready lights, 60 secs. after arming OR no pushbutton activity. This helps prevent unauthorized viewing of arm/disarm status through a front glass window or door. Any button press resumes the status display. The default value is No. **NOTE: If any of the F Keys are being used as event indicators this will also darken them, basically making them non-usable.**

KP01 06:=Yes ▶
Show Date & Time

If Yes, the keypad will display the date and time on the bottom line of the LCD screen. If there is too much information to display at once, the bottom line of the LCD will alternate. The default value is Yes.

KP01 07:=Yes ▶
Show Temperature

If Yes, the keypad will display it's local temperature on the bottom line of the LCD screen. If there is too much information to display at once, the bottom line of the LCD will alternate. The default value is Yes.

KP01 08:=Yes ▶
Show Area Name

If Yes, the keypad will display the name of the area in which it belongs. If there is too much information to display at once, the bottom line of the LCD will alternate. The default value is Yes.

KP01 09:=No ▶
Byp Key Req PIN

If Yes, the Bypass key cannot be used unless a valid user code is entered. The default value is No.

Keypad F1, F2, F3, F4, F5, F6 keys Each keypad has 6 lighted function keys that may be programmed to activate specific operations. There are 7 programming attributes for each key: 1) KeyEvent - A four digit event code for the zone definitions 0001 thru 0035, or the automation tasks 2001 - 2032. 2) KeyLight - A four digit event code which lights the key when the event is active. This can be any of the Appendix A Event Codes. 3) Light Invert - A Yes/No option which allows the light to be opposite of the event, off when active, on when not. 4) Light Blink - A Yes/No option which allows the light to blink when active. 5) Key Requires PIN - A Yes/No option used to prevent the key from activating unless a valid user code is entered. 6) Single Key Press - A Yes/No option which allows a single press of the key instead of the normal double press to activate the event. NOTE: In the double press mode the key's name is displayed on the LCD screen as soon as the first press occurs. This serves to visually verify to the user that the correct key has been selected prior to the second "activating" key press. 7) Key Name - A sixteen character programmable description that describes the key's function. I.E. Police Alarm, Garage Door, etc.

Menu 04 - Keypad Definitions (continued)

Keypad Definitions	Description of Option
KP01 10:F1 Key ▶ Definitions	To program the F1 key definitions press the right arrow key. The program will branch off into the 7 options for this key. To select another option press the UP or DOWN arrow keys. To jump to a specific option enter the two digit number for that option.
F1KeyEvent=0010▶ Evt=Fire Alarm	Key Event refers to what the key activates. F Keys can used to activate an Alarm, an Automation Task, or by Elk-RP Whenever/And/Then Rules to activate most anything. Press the RIGHT arrow key and enter 4 digits. Enter 0000 if Elk-RP is going to be used exclusively. Enter 0001-0036 for an alarm activation (see zone Defs), or 2001-2032 for an automation task activation (see Elk-RP software). The event description is displayed along the bottom. Press the RIGHT arrow key to move to the next option.
F1KeyLight=1001▶ Evt=Fire Alarm	Key Light selects the event which will cause the key to light up. See Event Codes in Appendix A. Press the RIGHT arrow key and enter 4 digits. The bottom line displays the description of the event. Press the RIGHT arrow key to move to the next option.
F1 Key:=No ▶ Light Invert	Light Invert selects whether the key should be lighted when the event is On (normal) or when the event is Off (Inverted). Press the RIGHT arrow key and select 1 for Yes or 0 for No. Press the RIGHT arrow key to move to the next option.
F1 Key:=No ▶ Light Blink	Light Blink selects whether the key should blink when lighted or be steady. Press the RIGHT arrow key and select 1 for Yes or 0 for No. Press the RIGHT arrow key to move to the next option.
F1 Key:=No ▶ Key Requires PIN	Key Requires PIN selects whether the F key requires a valid user code prior to activation. Press the RIGHT arrow and select 1 for Yes or 0 for No. Press the RIGHT arrow key to move to the next option.
F1 Key:=No ▶ SingleKeyPress	If this option is No, a single press of the F key will activate the event. If Yes, then two presses OR single press and hold 2 seconds is required. Press the RIGHT arrow and select 1 for Yes or 0 for No. Press the RIGHT arrow key to move to the next option.
F1 Key Name ◀▶ F1 = Fire	The Key Name will be displayed whenever the F key is pressed. Press the LEFT arrow key and enter text using the number keys. I.E. For "K" press the 5 key twice. Move the cursor using the right or left arrow keys. The up or down arrow keys select between lower and upper case. Press the ELK key when complete.
KP01 11:F2 Key ▶ Definitions	If the F2 Key is to be used, repeat the steps above.
KP01 12:F3 Key ▶ Definitions	If the F3 Key is to be used, repeat the steps above.
KP01 13:F4 Key ▶ Definitions	If the F4 Key is to be used, repeat the steps above.
KP01 14:F5 Key ▶ Definitions	If the F5 Key is to be used, repeat the steps above.
KP01 15:F6 Key ▶ Definitions	If the F6 Key is to be used, repeat the steps above.
KP01 16:KP Name◀ Keypad 1	To edit the Keypad Name press the LEFT arrow key. Enter text using the number keys. I.E. For "K" press the 5 key twice. Use the RIGHT or LEFT arrow keys to move the cursor. The UP or DOWN keys select between lower and upper case. The Chime key inserts a space, and the Bypass key erases 1 digit. Press the ELK key when complete.

Menu 05 - Zone Definitions

05-Zone
Definitions

Press RIGHT arrow key to select this menu. Press UP or DOWN arrow keys to select another menu. The ELK key backs up one menu level. To exit press the * or Exit key.

Zone Definitions

ZN001: Sel◀ Prg▶
Zone 001

Description of Option

There is a maximum of 200 zones, numbered 1 to 8, and 17 to 208. Press the UP or DOWN arrow key to scroll to a particular zone. To jump to a zone, enter the number from 001 to 208. The zone name displays along the bottom. Press the right arrow to program.

ZN001 01:Def=01 ▶
Burg Entry/Exit1

This first option is used to set the zone definition. To locate a different option press the up or down arrow key OR enter an option's number to jump directly to it. Press the right arrow key to program the selected option. The available definitions are:

Def	Zone Description	Operating Characteristics				
00	Disabled - Used to remove any unused zone(s). No need to put a jumper or resistor across the terminals.					
01	Burglar Entry/Exit 1 - For perimeter entry/exit doors. Allows a time delay to enter and exit during arm and disarm.					
02	Burglar Entry/Exit 2 - For perimeter entry/exit doors that require more time delay during arm and disarm.					
03	Burglar Perimeter Instant - Windows and perimeter openings. Activates an immediate Burglary alarm if tripped during ANY armed mode. Does not provide any exit or entry delay.					
04	Burglar Interior - For motion detectors, interior doors, etc. Creates an instant alarm if tripped during the AWAY arm mode. This zone type IS NOT ACTIVE during the STAY, STAY INSTANT, NITE, and NITE INSTANT arm modes.					
05	Burglar Interior Follower - For motions detectors, interior doors, etc. which may be in the keypad or entry pathway. If an entry delay zone is violated first, this zone will delay (Follow) also, otherwise it will create an instant alarm. This zone type IS NOT ACTIVE during the STAY, STAY INSTANT, NITE, and NITE INSTANT arm modes.					
06	Burglar Interior Nite - For motion detectors, interior doors, etc. which are not close to sleeping areas. The primary use of this zone type is for increased security when the user is home. Interior Nite zones ARE ACTIVE during the NITE and NITE INSTANT arm modes as well as the AWAY arm mode and will create an instant alarm if tripped. This zone type is NOT ACTIVE during the STAY or STAY INSTANT arm modes.					
07	Burglar Interior Nite Delay - For motion detectors, interior doors, etc. that are not close to sleeping areas. Same as an Interior Nite zone except that Interior Nite Delay zones will delay for the entry/exit delay 1 time period. Interior Nite zones ARE ACTIVE during the NITE and NITE INSTANT arm modes providing increased security when the user is home and in bed. However, if the user accidentally wanders into a Nite Delay zone the entry delay timer will start and the tone will sound, warning the user to disarm before a false alarm occurs. NOTE: If "Auto Stay,No Exit" is set to YES (see Area Definitions) and the system is armed in the Away mode, all interior zones will be bypassed if no exit is detected from the premises during the exit delay time.					
		<u>Away</u>	<u>Stay</u>	<u>Stay Instant</u>	<u>Nite</u>	<u>Nite Instant</u>
	Burg Entry/Exit (1 or 2) Zone	A	A	AN	A	AN
	Burg Perimeter (Instant) Zone	AN	AN	AN	AN	AN
	Burglar Burg Interior Zone	AN	-	-	-	-
	Burg Interior Follower Zone	A	-	-	-	-
	Burg Interior Nite Zone	AN	-	-	AN	AN
	Burg Interior Nite Delay Zone	AN	-	-	A	AN
08	Burglar 24 hr - Intended for tamper switches, etc. Activates an immediate Burglary alarm if tripped anytime (during armed or disarmed state).					
09	Burglar 24 hr Box Tamper - Intended for control, siren, and bell box tamper switches. Activates an immediate Burglary Tamper alarm if tripped anytime (armed or disarmed state).					
10	Fire 24 hr Alarm - Intended for Fire alarm sensors such as smoke detectors, heat stats, pull stations, etc. Activates an immediate Fire alarm upon a short across the zone wires. A Fire Trouble will be activated if an open (break in the zone wires) should occur.					
11	Fire 24 hr 'Verified' - For smoke detectors in high-risk false alarm areas. Upon initial activation (short across the zone), the control ignores the alarm and removes smoke power for 5 seconds to reset the detectors. During this 5 seconds, and for 25 additional seconds afterwards, no alarms will be recognized from this zone. Following this is a 30 second verification time window, during which any additional activation will be regarded as verification of the initial alarm and the control will initiate a Fire Alarm. If the 30 seconds expires with no further activations, the entire process is cleared (reset). A Fire Trouble will be activated if an open (break in the zone wires) occurs.					
12	Fire 24 hr Supervisory - Intended for monitoring water control valves on fire sprinkler systems. Same as Fire 24hr except that a short across the zone activates a Fire Supervisory alarm. A Fire Trouble will be activated if an open (break in the zone wires) should occur.					
13	Auxiliary1 24 hr - This zone can trip anytime (armed or disarmed) and send a communicator report, but there is no audible alarm output or keypad indication provided. It is displayed in the event log. A Whenever/And/Then rule can be written from the RP software to do other things with this zone type. Resets upon restoral.					
14	Auxiliary2 24 hr - This zone can trip anytime (armed or disarmed) and send a communicator report, but there is no audible alarm output or keypad indication provided. It is displayed in the event log. A Whenever/And/Then rule can be written from the RP software to do other things with this zone type. Resets upon restoral.					

QUICK VIEW OF ARMING MODES

This illustrates the condition of Burg zone types in the various arm modes.
Legend: A = Armed
"-" = Not Armed,
AN = Armed, No Delay

Menu 05 - Zone Definitions (continued)

Def	Zone Description	Operating Characteristics
15	Keyfob - Used when a wireless keyfob is enrolled into a receiver at this zone ID location.	
16	No Alarm - Intended for use in Whenever/And/Then rules from the Remote Programming RP software. This zone type DOES NOT ACTIVATE any alarm and is not logged in the Event log. No reset is required.	
17	Carbon Monoxide 24 hr - Activates an immediate Carbon Monoxide alarm if tripped anytime (armed or disarmed). The keypad will display the alarm as well as the event log. This type of alarm can be silenced/reset with a valid User Code. The audible alarm can be set in "Cutoff Timers".	
18	Emergency 24 hr - Similar to Def 17, this zone creates an alarm if tripped anytime (armed or disarmed).	
19	Freeze Alarm 24 hr - Similar to Def 17, this zone creates an alarm if tripped anytime (armed or disarmed).	
20	Gas Alarm 24 hr - Similar to Def 17, this zone creates an alarm if tripped anytime (armed or disarmed).	
21	Heat Alarm 24 hr - Similar to Def 17, this zone creates an alarm if tripped anytime (armed or disarmed).	
22	Medical Alarm 24 hr - Activates an immediate Medical alarm if tripped anytime (armed or disarmed).	
23	Police Alarm w/Indication 24 hr - Activates an audible Police (Holdup) alarm if tripped (armed or disarmed).	
24	Police Alarm no Indication 24 hr - Activates a non-audible Police (Silent) alarm if tripped (armed or disarmed).	
25	Water Alarm 24 hr - Activates an immediate Water alarm if tripped anytime (armed or disarmed).	
26	Keyswitch Momentary - Intended for a spring loaded momentary key switch. Toggles the armed state (disarmed/armed) with each trip.	
27	Keyswitch Momentary - Away Mode - Intended for a spring loaded momentary key switch. Arms the area in the AWAY mode with each trip.	
28	Keyswitch Momentary - Stay Mode - Intended for a spring loaded momentary key switch. Arms the area in the STAY mode with each trip.	
29	Keyswitch Momentary - Disarm Only - For a spring loaded momentary key switch. Disarms with each trip.	
30	Keyswitch On/Off (Maintained) - Intended for a 2 position On/Off key switch. Arms the area in Open position. Disarms the area in the Closed position.	
31	Mute All Area Audibles - For silencing all area audibles by a two-way listen-in module (other manufacturer).	
32	Power Supervisory 24 hr - For supervising an external power supply which provides alarm/trouble contacts. Wire the power supply contacts to short the zone in a Low Battery event and open the zone in an AC Failure event.	
33	Temperature - For use with ELK-M1ZTS Temperature Sensors. Requires the use of Whenever/And/Then rules from the ELK-RP software. NOTE: This definition is for ZONES 1 thru 8 ONLY! Temperature zones must be set to FAST LOOP (less than 200ms) response.	
34	Analog - For sensors that produce a variable voltage (0 to 12 volt range). Requires the Whenever/And/Then rules from the ELK-RP software.	

ZN001 02:Type=0
0=EOL Supervised

Refers to the wiring configuration for zones. Burglar and Keyswitch zones may be set to: 0, 1, 2, 3, & 4. Other non-fire zones may be set to: 0, 1 or 2 only. Fire zones may be 5=EOL Supervised 4-wire detectors, 6=EOL Supervised 2-wire detectors (zone 8 ONLY!)

Type	Wiring Configuration	Operating Description
0	EOL Supervised , 2,200 Ohm resistor (Zones 1 - 8 are defaulted to Type=0)	
1	Normally Closed only . No resistor required.	
2	Normally Open only . No resistor required.	
3	EOL Supervised with SECURITY ALERT on Short. (Burglar & Keyswitch Zones Only)	When control is disarmed a Security "Day" Alert will occur if the zone wiring is SHORTED. Keypads will beep and display the alert and zone name. Press Star key to silence. User code must be entered to reset/acknowledge the alert. When control is armed an alarm will occur regardless of whether the zone wiring is OPENED or SHORTED.
4	EOL Supervised - 4 State Wiring, with SECURITY ALERT on Open or Short. (Burglar & Keyswitch Zones Only)	Effective with firmware 4.3.5 this type provides 4 State Zone Wiring option, which uses 2 series EOL resistors, 1 in series with the loop and 1 in parallel with the alarm contacts. When control is disarmed a Security "Day" Alert will occur if the zone wiring is OPENED (tamper switch) or SHORTED. Keypad(s) will beep and display the alert and zone name. Ideal for tampering motions, etc. Press Star key to silence. User code must be entered to reset/acknowledge the alert. When control is armed an alarm will occur regardless of whether the zone is OPENED or SHORTED. NOTE: To define additional output/options on types 3 & 4 use the ELKRP Whenever/Then rules.
5	Fire, 4-Wire Smoke Detector with 2,200 Ohm EOL resistor. Trouble on open, alarm on short. (Zones 1 to 8).	
6	Fire, 2-wire Smoke Detector with 680 Ohm EOL resistor. (ZONE 8 ONLY)	

ZN001 03:Area=1 ▶
[Area Name]

Enter the area (partition) number that this zone is to be assigned to. A zone can only reside in one area and fire zones can only reside in Area 1.

ZN001 04: =No ▶
Silent Alarm

A zone programmed 'Yes' for Silent Alarm will not cause any audible alarm event from a programmable output OR from any keypad. However, a visual display will occur on the keypad(s) which are assigned to the same area as the zone.

Menu 05 - Zone Definitions (continued)

Zone Definitions

Description of Option

ZN001 05: =Yes ▶
Dialer Delay

Dialer delay is designed to reduce false alarm dispatches. Upon an alarm from a zone with this option the communicator delays dialing for the "Dialer Delay" time programmed in Menu 09-Area Reporting Codes. If a valid code is entered before this delay expires, the report will ABORT (no report). If an 'Alarm Abort' code is programmed, (see Menu 09), the communicator will transmit this in place of the alarm. NOTE: The Dialer Delay Time will only start once per alarm, regardless of additional zone trips. Default setting is No.

ZN001 06: =No ▶
Enable Listen-In

Allows zone to trigger a listen-in session after alarm is reported. Control will hold the line for 60 seconds after 'kiss-off', allowing Central Station to enter *55* to activate listen-in. The Central Station can renew or terminate listen-in remotely. NOTE: Two-Way must be enabled (Menu 07-Globals) and an interface (ELK-M1TWI) with one or more microphone/speakers (ELK-M1TWS) must be installed. Default setting is No.

ZN001 07: =No ▶
Zone Bypassable

A Yes allows zone to be manually bypassed. A bypassed zone will be ignored by the system. Burglar zone bypasses are canceled upon a disarm. To bypass a zone: Press the Bypass key + [zone number] + the Bypass key once again. Default setting is Yes.

ZN001 08: =No ▶
Force Armable

Force Arm allows a violated zone to be temporarily bypassed upon arming. Prior to arm, the READY light blinks if force arm zone(s) are the only zones violated. Force arm requires two entries of a user code. Quick arm cannot be used for force arming. Upon the first code entry the keypad will display READY FORCE. The second code entry will force arm. Force armed zone(s) automatically return to service if they become normal while armed. **CAUTION! Force arm operates in a unique way on entry/exit zones!** - Entry/Exit zones that are also force armable can be violated during the exit delay and still become force armed. This allows a user to arm, open a garage door, back out, and then shut the door at their leisure, without creating a false alarm and without a long exit delay time. As soon as the garage door is closed, it will automatically return to service. Default setting is No. **NOTE: For UL installations Force Arm shall be disabled.**

ZN001 09: =No ▶
SwingerShutdown

Swinger Shutdown prevents a runaway communicator by shunting a zone after two trips. It cannot send another alarm until the control is reset OR a 48 hour time period elapse. Default setting is No. **NOTE: For UL installations this feature shall be disabled.**

ZN001 10: =No ▶
Req PeriodicTrip

This type zone must be tripped at least once per disarm cycle*. This prevents blocked PIRs or seldom used doors from being left not secure. Keypad will display "Not Ready" if a periodic zone has not been tripped. * NOTE: A periodic trip will not be required for a disarm period of 1 hour or less. Default setting is No.

ZN001 11: =No ▶
FastLoopResponse

Response is the time the zone must be violated before the system detects it. If No, the zone responds to the Slow response time. The time values are in milliseconds and they are programmed in the Menu 07 Global Sys. Definitions menu. Default setting is No.

ZN001 12: =No ▶
Enable Chime

Each zone may be selected to be included in the Chime annunciation whenever Chime Mode is turned on from the keypad. Most zone types may be included via this option. Default setting is No.

ZN001 13: =No ▶
In CrossZonePool

Burglar zones programmed "In CrossZonePool" cannot cause an alarm unless another zone in the cross zone pool also activates within a time window OR unless "Cross Zone Self Ver" is Menu 07 - Global System Definitions. **Entry/exit zones should NOT be programmed as Cross zones.** Default setting is No.

ZN001 14: Name ◀
Zone 001

To program the text description of the Zone (Name) press the left arrow key. Enter text using the number keys. I.E. For a "K" press the 5 key twice. To move the cursor press the right or left arrow keys. While programming the text, pressing the Chime key inserts a space and the Bypass key erases 1 digit. The up and down arrow keys move between upper and lower case. Press the ELK key when complete.

Menu 06 - Alarm Duration Timers

06-Alarm Cutoff Timers

Press RIGHT arrow key to select this menu. Press UP or DOWN arrow keys to select another menu. The ELK key backs up one menu level. To exit press the * or Exit key.

Each alarm type has a duration timer for cutting off the alarm after a programmable time period. Any output assigned to the alarm type will turn on when the alarm activates and will turn off when the alarm cutoff timer expires. If multiple alarm types are assigned to a single output, all alarms must turn off before the output can turn off. The range in seconds is 00000 to 65535. 00000=Never turn on. 65535=Never turn off NOTE: 65535 seconds is 1,092 minutes or 18.2 hours.

Alarm Cutoff Timers

Description of Option

CT01:=00600 sec BurgDuration

Burglar Alarm duration time in seconds. Default time is 00600 sec. (10 min.). Burglar always activates Siren/Voice Output (Out1) and Siren Output (Out2). Additional outputs may be programmed using the RP software "Rules" function.

CT02:=00000 sec FireDuration

Fire Alarm duration time in seconds. Default time is 65535 sec. (never cutoff). Fire always activates Siren/Voice Output (Out1) and Siren Output (Out2). Additional outputs may be programmed using the RP software "Rules" function.

CT03:=00600 sec Med Duration

Medical Alarm duration time in seconds. Default time is 00600 sec. (10 min.). Medical always activates Siren/Voice Output (Out1) and Siren Output (Out2). Additional outputs may be programmed using the RP software "Rules" function.

CT04:=00600 sec Pol Duration

Audible Police Alarm duration time in seconds. Default time is 00600 sec. (10 min.). Audible Police always activates Siren/Voice Output (Out1) and Siren Output (Out2). Additional outputs may be programmed using the RP software "Rules" function.

CT05:=00600 sec CO Duration

CO (Carbon Monoxide) Alarm duration time in seconds. The default time is 00600 sec. (10 min.). This alarm type is not preassigned to any outputs. The RP software "Rules" function must be used to assign outputs.

CT06:=00600 sec EmerDuration

Emergency Alarm duration time in seconds. The default time is 00600 sec. (10 min.). This alarm type is not preassigned to any outputs. The RP software "Rules" function must be used to assign outputs.

CT07:=00600 sec FrezDuration

Freeze Alarm duration time in seconds. The default time is 00600 sec. (10 min.). This alarm type is not preassigned to any outputs. The RP software "Rules" function must be used to assign outputs.

CT08:=00600 sec Gas Duration

Gas Alarm duration time in seconds. The default time is 00600 sec. (10 min.). This alarm type is not preassigned to any outputs. The RP software "Rules" function must be used to assign outputs.

CT09:=00600 sec HeatDuration

Heat Alarm duration time in seconds. The default time is 00600 sec. (10 min.). This alarm type is not preassigned to any outputs. The RP software "Rules" function must be used to assign outputs.

CT10:=00600 sec WatrDuration

Water Alarm duration time in seconds. The default time is 00600 sec. (10 min.). This alarm type is not preassigned to any outputs. The RP software "Rules" function must be used to assign outputs.

CT11:=00600 sec Aux1Duration

Aux 1 Alarm duration time in seconds. The default time is 00600 sec. (10 min.). This alarm type is not preassigned to any outputs. The RP software "Rules" function must be used to assign outputs.

CT12:=00600 sec Aux2Duration

Aux 2 Alarm duration time in seconds. The default time is 00600 sec. (10 min.). This alarm type is not preassigned to any outputs. The RP software "Rules" function must be used to assign outputs.

Menu 07 - Global System Definitions

07-Global System Definitions

Press RIGHT arrow key to select this menu. Press UP or DOWN arrow keys to select another menu. The ELK key backs up one menu level. To exit press the * or Exit key.

Global Sys Definitions

Description of Option

G02: =Yes
12Hr Time Disp

Keypads that are programmed to show time and date on their second display line will either display 12 hour format or 24 hour military format, depending upon this option. Default is Yes

G03: =No
DD/MM Date Disp

If this option is No, the date will display as Month/Day/Year. If this option is Yes, the date will display as Day/Month/Year. Default No.

G04: =No
Celcius TempDisp

Keypads that are programmed to show temperature on their second display line will either display as Celsius or Fahrenheit, depending upon this option. Default is No.

G05: =Yes
Daylight Savings

The system will automatically adjust its internal clock for daylight savings time changes if this option is set to 'Yes'. Default is Yes.

G06: =0040 ms
Fast Loop Resp

Sets the time that a "Fast Loop" zone must remain open before the control responds. To set, press the RIGHT arrow key and enter a number from 002 to 255. Time is adjusted in 10 millisecond increments from 20ms to 2550ms (2.55 seconds). Default is 40ms.

G07: =0400 ms
Slow Loop Resp

Sets the time that a "Slow Loop" zone must remain open before the control responds. A "Slow Loop" zone is basically any zone that does not have the "FastLoopResponse" option enabled in Menu 05 - Zone Definitions. To set, press the RIGHT arrow key and enter a number from 002 to 255. Time is adjusted in 10 millisecond increments from 20ms to 2550ms (2.55 seconds). Default is 400ms.

G08: =No
CrossZoneSelfVer

Zones programmed with the 'Cross Zone' option may be allowed to self-verify an alarm condition. I.E. A second trip of the same zone within the Cross Zone Verify Time window will be considered a verified alarm. Default is No.

G09: =030
CrossZoneVerTime

This timer function is the amount of time in seconds that is allowed for two or more 'Cross Zone' zones to verify each other in an alarm condition OR for a second trip of the same zone when 'CrossZoneSelfVer' has been enabled. Default is No.

G10: =Yes
Audible Troubles

This option selects whether ordinary non-fire system troubles will cause audible alerts to sound. This option does not affect fire trouble conditions, which will always be audible. Default is No.

G11: =No
6 Digit UserCode

The Control supports up to 99 User codes, plus the Installer code. The User codes can be either 4 digits in length or 6 digits, depending upon this option. Default is No (4 digits). **NOTE: The Installer code is ALWAYS 6 digits.**

G12: =99 Digits
WrongCodeLockout

To prevent a would be thief or hacker from being able to hunt for a valid user code, the system can automatically lock out all code entry for 1 minute after a sequence of invalid digits. The range of value can be set from 13 to 99. Default is 99.

Menu 07 - Global System Definitions (continued)

Global Sys Definitions

Description of Option

G13: _____▶
Common To Area1

Any of the Areas 2 thru 8 may be made common to Area 1. The result is: Area 1 cannot be armed until all its common areas are armed. Once armed, Area 1 will disarm if any common area becomes disarmed. This is good for lobbies or vestibules shared by two or more businesses. Each business must have their own area keypad. **NOTE: If you want Area 1 to automatically arm when all its common areas become armed, use a Whenever/And/Then rule from the RP software to do this.**

G14: =No Out2▶
Chg YelpToBuzzer

Changes the Burglar Yelp sound on outputs 2 to a pulsing Buzzer sound. Default is No. **NOTE: When connecting 8 Ohm speakers, do not exceed an 4 Ohm total load.**

Options G15 thru G25 are not used.

G26: =No ▶
Out2 Voltage Out

Allows Output 2 to be converted from a siren driver into a voltage only output. If set to "No" the control produces alarm sounds for use with 8 Ohm speakers. If set to "Yes" the control will produce +12 Volts for use with self-contained sirens or bells. Default is No.

G27: =000secOut2▶
Delay Turn-On

Ordinarily, Outputs 1 & 2 activate immediately on alarms. However, Output 2 can be time delayed up to 255 seconds. Using Output 1 strictly for interior sounders and Output 2 for outside sounders, a false alarm will be heard inside first, giving the user time to disarm before any outside sounders are activated. A "good neighbor" feature. Default is 000.

Menu 07 - Global System Definitions (continued)

Global Sys Definitions

Description of Option

**G28:=No Out2 ▶
SingleAlmLockout**

Output 2 can be set to alarm only once per armed cycle for burglary type alarms. This feature is intended for noise abatement. The dialer will continue to transmit all alarms that may occur. **THIS ONLY LOCKS OUT AUDIBLE FROM OUTPUT 2.**

**G29:=00 Rings ▶
Until AutoAnswer**

The control must be set to auto answer an incoming call in order for Remote Programming (RP) to be accessed remotely. The range of rings can be set from 1 to 15. A value of "0" disables auto answer.

**G30:=No ▶
Ring/Hang/Answer**

A Yes enables faster connection from an outside telephone. It works as follows: Call the control and hang up after 1 or 2 rings. This starts a 45 second timer. Call the control a 2nd time *during this 45 second time* and the control will answer on the first ring. In some cases this Ring/Hang/Answer option may be the only way to get around telephone company provided answering services. **Option 29 MUST also be set!**

NOTE: If an on-site answering machine picks up, the RP software and the control will automatically attempt to override the machine using tone sniffing methods.

**G31:=No 2Way▶
Listen-In Enable**

Set this option to Yes ONLY when an ELK-M1TWI Two Way Listen-In interface is installed. This enables the correct software commands and procedures to make the two way functional. Refer also to the instructions that are shipped with the ELK-M1TWI

**G32:=00sec 2Way▶
CallbckTime**

If Two Way is enabled, this timer provides a window for the CS to enter * 55 * and activate two way listen-in by holding the phone line off-hook for 001 to 255 seconds after a kissoff. Upon hangup, this timer re-starts to provide a window for the CS to callback and initiate two way. Control will answer an incoming call on the first ring. Enter 000 to disable.

**G33:=000sec CS▶
Verify Call Time**

Allows the Central Station alarm verification by suspending (holding) new alarms after the initial alarm kissoff. The phone line is kept free for this time period. The time value can be from 001 to 255 seconds. Long time periods are not recommended. Enter 000 to disable.

**G34:=9 115200▶
Baud Rate Port 0**

This location is used to select the initial (default) baud rate for the on-board RS-232 serial port which is Port 0. The available baud rates are: 0 or 1=300 baud, 2=1200, 3=2400, 4=4800, 5=9600, 6=14400, 7=19200, 8=38400, and 9=115200

**G35:=No Xmit▶
Event Log-ASCII**

The control can transmit ASCII data via it's RS-232 port to automation types of equipment. The ELK ASCII Protocol document is available upon request. This first option sets the control to transmit all event log information immediately as it occurs.

**G36:=No Xmit▶
Zone Chgs - ASCII**

This option sets the control to transmit zone status changes immediately as they occur. The ELK ASCII Protocol document is available upon request.

**G37:=No Xmit▶
OutputChgs-ASCII**

This option sets the control to transmit output status changes immediately as they occur.

Menu 07 - Global System Definitions (continued)

Global Sys Def

Description of Option

**G38:=No Xmit▶
Task Chgs - ASCII**

This option sets the control to transmit automation task status changes immediately as they occur.

**G39:=No Xmit▶
Light Chgs-ASCII**

This option sets the control to transmit automation lighting status changes immediately as they occur.

**G40:=No Xmit▶
Keypad Key Chgs**

Sets the control to transmit keypad key changes. This includes the Chime, Bypass, Exit, Stay keys, the ELK key and it's surrounding arrow keys, and the F keys. It does not transmit any of the numeric keys..

**G41:=No Require
Code UserMenu1-5**

Allows User Menus 1 through 5 to be blocked from view until a valid User code is entered. If set to "Yes", only User Codes which have the "Menu 1-5 Allowed" option enabled will be able to view or access Menus 1 through 5. Default is No.

**G42:=172839 ▶
Local Prog Code**

This is the 6 digit Installer program code that is required in order to access the local installer programming mode. **NOTE: Be careful when changing this code as it will be impossible to program the panel if the code is programmed wrong or forgotten.**

**G43:=D1234567 ▶
Serial Number**

This is a read-only location. Each control is assigned a unique serial number for identification of the unit regarding warranty, technical support, anti-takeover, and other issues that may arise.

**G44:xxxxxxxxxxxx
Axxxxxx Bxxxxxx**

This is a read-only location displaying information about the current software and bootloader revision that the control is operating with. This will only be needed with the assistance of a factory technical support person.

**G45:=DefaultCtl ▶
81=User Codes**

This option allows factory default values to be restored by individual menus/categories. Press the right arrow to select this option, then press the up or down arrow keys to scroll through the choices. To factory default any single category enter the displayed number. For example, entering 81 from this screen will cause all the User Codes to be factory defaulted. Please be patient as it may take a minute or more to default some items.

82=Areas Data

Entering 82 from this screen causes all area definitions to be factory defaulted.

83=Keypads Data

Entering 83 from this screen causes all keypad definitions to be factory defaulted.

84=Zones Data

Entering 84 from this screen causes all zone definitions to be factory defaulted.

85=Zone Names

Entering 85 from this screen causes all zone names to be factory defaulted.

86=CutoffTimes

Entering 86 from this screen causes all the cutoff timers to be factory defaulted.

87=Global Data

Entering 87 from this screen causes all global system defs to be factory defaulted.

88=TeleAcct Data

Entering 88 from this screen causes all telephone reporting setup to be factory defaulted.

89=Tele #'s Only

Entering 89 from this screen causes all telephone numbers ONLY to be factory defaulted.

90=AreaRptCodes

Entering 90 from this screen causes all area report codes to be factory defaulted.

91=ZoneRptCodes

Entering 91 from this screen causes all zone report codes to be factory defaulted.

92=SysRptCodes

Entering 92 from this screen causes all system report codes to be factory defaulted.

93=UserRptCodes

Entering 93 from this screen causes all user report codes to be factory defaulted.

95=WirelessDef

Entering 95 from this screen causes all wireless definitions to be factory defaulted.

99=Entire Panel

Entering 99 from this screen causes the entire panel programming to be factory defaulted.

Menu 08 - Telephone Account Setup

Press RIGHT arrow key to select this menu. Press UP or DOWN arrow keys to select another menu. The ELK key backs up one menu level. To exit press the * or Exit key.

**08-Telephone
Account Setup**

Telephone Acct Setup

Description of Option

**T1: Sel◄ Prg▶
[Name for Tel#1]**

The control can dial up to 8 telephone numbers plus the ELK-RP number. Each of the 8 phone numbers can be used to report alarms, troubles, closings, opening, etc. in digital format as well as pager formats. Use the up/down arrow keys to select the telephone number, then press the right arrow key to program the options, starting with option 01.

**T1: 01:Format=0 ▶
0=Disabled**

This selects the reporting format to be used with this number. The available formats are:
00 = Disable reporting 03 = Pulse 4+2 06 = Ethernet
01 = Contact ID 04 = Pager DTMF tones
02 = SIA 05 = not used

**T1: 02: = 0 ▶
0=Always Report**

0=Always Report, meaning the number will be dialed when its "report to" options are activated. 1=Backup, meaning the number will ONLY be dialed if the previous sequential number failed to complete its call. When backup is selected the "report to" options will be copied from the previous number and ONLY the name, number, format, and dial attempts may be edited. To edit any "report to" options you must temporarily set this value to 0.

NOTE: Telephone # 1 cannot be set as a backup since it is the first number. A backup cannot have another backup.

T1: 03:Num=

Up to 20 digits may be entered for a telephone number. Valid numeric digits are: 1, 2, 3, 4, 5, 6, 7, 8, 9, and 0. In addition, the following special characters may be programmed. The cursor automatically moves right each time a digit is entered.

Comma (,) = forces the dialer to pause for 2 seconds

Slash (/) = forces the dialer to pause for 125 milliseconds.

Asteric (*) = simulates the * key on a touch tone phone

Pound (#) = simulates the # key on a touch tone phone

B = Program the 1st dialed digit as a "B" to force Pulse (rotary) dialing. Anywhere else in the dial string a "B" will simply be handled as a DTMF tone signal

C = Not Used

D = Program the 1st dialed digit as a "D" to force Dial tone detection prior to dialing. Otherwise, it dials regardless of dial tone presence. Anywhere else in the dial string a "D" will simply be handled as a DTMF tone signal.

EXCEPTION: Digit D (Dial tone detect) can be the 2nd digit but ONLY if B (Pulse dial) is the 1st dialed digit.

To enter special characters place the cursor where desired and press the up arrow key. The 1 key will now produce characters 1, #, *, and /. The 2 key will produce 2, A, B, and C. The 3 key will produce 3, and D. When finished press the down arrow key to return to numbers.

**T1: 04: = 08 ▶
Dial Attempts**

This sets the number of dial attempts (re-dials) that the communicator will make to this number before a Comm Fail (fail to report) is logged. Valid range is 01 to 15 attempts. Default is 08.

**T1: 05:=000000▶
Acct # for Area1**

The Account number for Area 1 (up to 6 digits) when it is reported to this telephone number. Since all 6 digits must be entered, enter leading zeros (0's) if a shorter account number is required.

**T1: 06:=000000▶
Acct # for Area2**

The Account number for Area 2 (up to 6 digits) when it is reported to this telephone number. Since all 6 digits must be entered, enter leading zeros (0's) if a shorter account number is required.

**T1: 07:=000000▶
Acct # for Area3**

The Account number for Area 3 (up to 6 digits) when it is reported to this telephone number. Since all 6 digits must be entered, enter leading zeros (0's) if a shorter account number is required.

Menu 08 Telephone Account Setup (continued)

Telephone Acct Setup

Description of Option

T1: 08:=000000▶
Acct # for Area4

The Account number for Area 4 (up to 6 digits) when it is reported to this telephone number. Since all 6 digits must be entered, enter leading zeros (0's) if a shorter account number is required.

T1: 09:=000000▶
Acct # for Area5

The Account number for Area 5 (up to 6 digits) when it is reported to this telephone number. Since all 6 digits must be entered, enter leading zeros (0's) if a shorter account number is required.

T1: 10:=000000▶
Acct # for Area6

The Account number for Area 6 (up to 6 digits) when it is reported to this telephone number. Since all 6 digits must be entered, enter leading zeros (0's) if a shorter account number is required.

T1: 11:=000000▶
Acct # for Area7

The Account number for Area 7 (up to 6 digits) when it is reported to this telephone number. Since all 6 digits must be entered, enter leading zeros (0's) if a shorter account number is required.

T1: 12:=000000▶
Acct # for Area8

The Account number for Area 8 (up to 6 digits) when it is reported to this telephone number. Since all 6 digits must be entered, enter leading zeros (0's) if a shorter account number is required.

THE FOLLOWING 5 OPTIONS DEFINE WHAT IS REPORTED BY THIS TELEPHONE

T1: 13:=Yes Rpt▶
AreaAlms,RestUnbp

This YES or NO option identifies whether this telephone number should report misc. options from the AREA REPORTING CODES menu, Zone Alarms, Restores, and Unbypasses from the ZONE REPORTING CODES menu, and Keypad Alarms from the KEYPAD F-KEY REPORTING CODES menu.

T1: 14:=No Rpt▶
Bypasses

This YES or NO option identifies whether this telephone number should report the Zone Bypasses from the ZONE REPORTING CODES menu.

T1: 15:=No Rpt▶
Zone Troubles

This YES or NO option identifies whether this telephone number should report the Zone Troubles from the ZONE REPORTING CODES menu.

T1: 16:=No Rpt▶
User ReportCodes

This YES or NO option identifies whether this telephone number should report the user opening and closing codes from the USER REPORTING CODES menu.

T1: 17:=Yes Rpt▶
Global SysEvents

This YES or NO option identifies whether this telephone number should report the global system event codes from SYS REPORT OPTIONS & CODES menu.

T1: 18:Name ◀
[Name for Tel#1]

To edit or program a text description (Name) such as "ACME Central Station" for the Telephone number press left arrow key. Spell out the text using the number keys. I.E. For a "K" press the 5 key twice. To move the cursor press the right or left arrow keys. While programming the text, pressing the Chime key inserts a space, and the Bypass key erases 1 digit. The up and down arrow keys toggles between upper and lower case. Press the ELK key when complete.

Menu 09 - Area Reporting Codes

09-Area Reporting Codes

Press RIGHT arrow key to select this menu. Press UP or DOWN arrow keys to select another menu. The ELK key backs up one menu level. To exit press the * or Exit key.

NOTE: Enter a two digit value to enable a particular report code. To disable a report code enter 00. When SIA or Contact ID is the reporting format, the two digit value can simply be 01 since the control automatically produces the correct code according to the SIA or Contact ID protocol. For 4+2 pulse format, enter a value from 01 to FF. To enter the A thru F HEX characters press the RIGHT arrow key to position the cursor under the desired digit, then press the UP arrow (shift) key once. Each press of the 2 key will now produce the following: 2, A, B, C. Each press of the 3 key will now produce the following: 3, D, E, F. Press the RIGHT arrow key to cancel shift and move to the next character. See Appendix for a summary of the SIA and Contact ID codes.

Area Report Codes

Description of Option

AR1: Sel◀ Prg▶
ReportCodesArea1

Each of the eight (8) Areas has specific communicator reporting codes for events that only occur within that area. Using the up/down arrow keys, select the appropriate area, then press the right arrow key to begin starting with option 01.

AR1 01:000=Sec ▶
Dialer Delay Time

Dialer Delay Time is an amount of time following an alarm during which the report may be aborted if the area is disarmed by a valid user. An optional alarm abort code may be programmed to report. Range is 000 to 255 seconds. Default is 000 (delay disabled).

AR1 02:Code= 00▶
Alm Abort Code

Alarm Abort code is an optional code that may be reported when an alarm is aborted during the Comm Abort Time window. Range is 00 to FF. Default is 00 (no report).

AR1 03:000=Sec ▶
CancelWindowTime

Cancel Window Time is the time following an alarm during which a cancel code will be reported if the area is disarmed. Cancel is not the same as abort since the alarm has already reported. Range is 00 to FF. Default is 00 (no report).

AR1 04:Code= 00▶
Alm Cancel Code

Alarm Cancel code is the code that will be reported if the area in alarm is disarmed within the Cancel Window Time. Range is 00 to FF. Default is 00 (no report).

AR1 05:Code= 00▶
Close Automatic

Close Automatic code will be reported anytime the area is armed automatically by a Rule from the RP software programming. Refer to the ELK-RP Rules Programming instructions. Range is 00 to FF. Default is 00 (no report).

AR1 06:Code= 00▶
Close Early

Close Early code will be reported if the area is closed prior to a programmed Expected Arm time. Refer to the ELK-RP Rules Programming instructions. Range is 00 to FF. Default is 00 (no report).

AR1 07:Code= 00▶
Close Extended

Close Extended code will be reported if a programmed Expected Arm time is extended by a valid user. Refer to the ELK-RP Rules Programming instructions. Range is 00 to FF. Default is 00 (no report).

AR1 08:Code= 00▶
Fail To Close

Fail to Close code will be reported if the area is not armed by a programmed Expected Arm time. Refer to the ELK-RP Rules Programming instructions. Range is 00 to FF. Default is 00 (no report).

AR1 09:Code= 00▶
Late Close

Late to Close code will be reported if the area is armed after a programmed Expected Arm time. Refer to the ELK-RP Rules Programming instructions. Range is 00 to FF. Default is 00 (no report).

AR1 10:Code= 00▶
Keyswitch Close

Keyswitch Close code will be reported in place of a user code whenever the area is armed by a keyswitch. Refer to the ELK-RP Rules Programming instructions. Range is 00 to FF. Default is 00 (no report).

Menu 09 - Area Reporting Codes (continued)

Area Report Codes

Description of Option

AR1 11:Code= 00▶
Duress Code

Duress code will be reported if the area is armed or disarmed by a valid user code that is programmed with the duress attribute. Range is 00 to FF. Default is 00 (no report).

AR1 12:Code= 00▶
Open After Alarm

Open After Alarm code will be reported whenever a valid user arrives and disarms the area following an alarm activation. Range is 00 to FF. Default is 00 (no report).

AR1 13:Code= 00▶
Open Early

Open Early code will be reported if the area is disarmed prior to a programmed Expected Disarm time. Refer to the ELK-RP Rules Programming instructions. Range is 00 to FF. Default is 00 (no report).

AR1 14:Code= 00▶
Fail To Open

Fail to Open code will be reported if the area is not disarmed by a programmed Expected Disarm time. Refer to the ELK-RP Rules Programming instructions. Range is 00 to FF. Default is 00 (no report).

AR1 15:Code= 00▶
Open Late

Open Late code will be reported if the area is disarmed after a programmed Expected Disarm time. Refer to the ELK-RP Rules Programming instructions. Range is 00 to FF. Default is 00 (no report).

AR1 16:Code= 00▶
Open Keyswitch

Open Keyswitch code will be reported in place of a user code whenever the area is disarmed by a Keyswitch zone. Range is 00 to FF. Default is 00 (no report).

AR1 17:Code= 00▶
User Lockout

User Lockout code will be reported if someone repeatedly enters digits (see Menu 07 - Global System Definitions, Option 12 for the maximum number of digits allowed) in an attempt to hack out a valid user code. Range is 00 to FF. Default is 00 (no report).

AR1 18:Code= 00▶
Exit Error

Exit Error Code can be used to identify an accidental alarm caused by an error while arming. Locally, it works as follows: If an exit delay rolls directly into entry delay as a result of a zone being left violated, the entry delay warning AND the siren will sound. If the control is not disarmed prior to the entry delay expiring, the communicator will report the alarm along with the Exit Error code. Range is 00 to FF. Default is 00 (no report).

AR1 19:Code= 00▶
Fail Communicate

Fail to communicate displays on the keypad and the event log when the communicator fails to complete it's report using the number of dial attempts. A good communications report must occur in order to reset/clear the failure. If this fail to communicate report code is enabled, it will be reported with next good communications to indicate a "past" failure. Range is 00 to FF. Default is 00 (no report).

Based on the event, the CID (Contact ID) or SIA Codes for Area Reporting Codes will be:

Area RCs	CID	SIA	Area RCs	CID	SIA
Alarm Abort	406	OC	Open After Alarm	450	OR
Alarm Cancel	406	OC	Early Open	451	OK
Automatic Close	403	CA	Fail To Open	453	OI
Early Close	451	CK	Late Open	452	OJ
Closing Extended	464	CE	Key Switch Open	409	OS
Fail To Close	454	CI	Keypad Locked Out	461	JA
Late Close	452	CJ	Exit Error	457	EE
Key Switch Close	409	CS	Fail To Communicate	354	RT
Duress	121	HA			

NOTE: On CID reporting the 3 digit code will be preceded by a "1" for a new event or an opening. It will be preceded by a "3" for a restore or a closing event.

Menu 10 - Zone Reporting Codes

10-Zone Reporting Codes

Press RIGHT arrow key to select this menu. Press UP or DOWN arrow keys to select another menu. The ELK key backs up one menu level. To exit press the * or Exit key.

NOTE: Enter a two digit value to enable a report code. To disable a report code enter 00. When SIA or Contact ID is the reporting format, the two digit value can simply be 01 since the control automatically produces the correct code according to the SIA or Contact ID protocol. For 4+2 pulse format, enter a value from 01 to FF. To enter the A thru F HEX characters press the RIGHT arrow key to position the cursor under the desired digit, then press the UP arrow (shift) key once. Each press of the 2 key will now produce the following: 2, A, B, C. Each press of the 3 key will now produce the following: 3, D, E, F. Press the RIGHT arrow key to cancel shift and move to the next character. See Appendix for a summary of the SIA and Contact ID codes.

Zone Report Codes

Z001: Sel◄ Prg▶
[Name of Zone]

Description of Option

Each of the 208 Zones has specific communicator reporting codes for Alarm, Restore, Bypass, and Trouble. Using the up/down arrow keys, select the appropriate zone, then press the right arrow key to begin programming of that zone.

Z001:A=00 R=00 ▶
Byp=00 Tbl=00

The cursor starts at the 00 beside A (Alarm). Enter the desired two digit reporting code and press the right arrow key to advance to the R (Restore). To jump the cursor to another report without changing this one simply press the right arrow key. The next press of the right arrow key after Tbl (Trouble) will advance the screen back to the beginning of that zone. Range is 00 to FF. Default for all entries is 00 (no report).

NOTE: Each reporting code must be programmed according to the desired reporting format. However, for SIA and Contact ID formats the actual reporting digits will be produced by the control according to the type of alarm or event. The only programming required to enable reporting with the SIA and Contact ID formats is to set the programmed code to a non zero (0) value. See below:

Based on the zone definition, the CID (Contact ID) or SIA formats for Zone Reporting Codes will be:

Zone RCs	Alarms				Restore				Bypass				Trouble				Zone RCs	Alarms				Restore				Bypass				Trouble			
	CID	SIA	CID	SIA	CID	SIA	CID	SIA	CID	SIA	CID	SIA	CID	SIA	CID	SIA		CID	SIA	CID	SIA	CID	SIA	CID	SIA	CID	SIA						
01 = Burglar Entry/Exit 1	134	BA	134	BR	573	BB	370	BT	18 = Emergency Alarm	101	QA	101	QR	572	QB	----	----	19 = Freeze Alarm	159	ZA	159	ZR	572	ZB	----	----							
02 = Burglar Entry/Exit 2	134	BA	134	BR	573	BB	370	BT	20 = Gas Alarm	151	GA	151	GR	572	GB	----	----	21 = Heat Alarm	114	KA	114	KR	572	KB	----	----							
03 = Burglar Perim Inst	131	BA	131	BR	573	BB	370	BT	22 = Medical Alarm	100	MA	100	MR	572	MB	----	----	23 = Police Alarm	120	PA	120	PH	572	PB	----	----							
04 = Burglar Interior	132	BA	132	BR	573	BB	370	BT	24 = Police No Indication	120	PA	120	HH	572	PB	----	----	25 = Water Alarm	154	WA	154	WR	572	WB	----	----							
05 = Burglar Int Follower	132	BA	132	BR	573	BB	370	BT	26 = Key Mom Arm/Disarm	----	----	----	----	----	----	----	----	27 = Key Mom Arm Away	----	----	----	----	----	----	----	----							
06 = Burglar Int Night	135	BA	135	BR	573	BB	370	BT	28 = Key Mom Arm Stay	----	----	----	----	----	----	----	----	29 = Key Mom Disarm	----	----	----	----	----	----	----	----							
07 = Burglar Int Nt Filwr	135	BA	135	BR	573	BB	370	BT	30 = Key On/Off	----	----	----	----	----	----	----	----	31 = Mute Audibles	----	----	----	----	----	----	----	----							
08 = Burglar 24 Hour	133	BA	133	BR	573	BB	370	BT	32 = Power Supervisory	338	YT	338	YR	572	UB	----	----	33 = Temperature	----	----	----	----	----	----	----	----							
09 = Burglar Box Tamper	137	TA	137	TR	573	TB	370	BT	34 = Analog Zone	----	----	----	----	----	----	----	----																
10 = Fire Alarm	110	FA	110	FR	571	FB	373	FT																									
11 = Fire Verified	110	FA	110	FR	571	FB	373	FT																									
12 = Fire Supervisory	200	FS	200	FR	571	FB	373	FT																									
13 = Aux Function 1	150	UA	150	UR	572	UB	----	----																									
14 = Aux Function 2	150	UA	150	UR	572	UB	----	----																									
15 = Keyfob	----	----	----	----	----	----	----	----																									
16 = Non Alarm	----	----	----	----	----	----	----	----																									
17 = Carbon Monoxide	162	GA	162	GR	572	GB	----	----																									

NOTE: On CID reporting the 3 digit code is preceded by a "1" for new events or a "3" for restore (previous reported) events.

Menu 11 - Keypad F-Key Reporting Codes

11-Keypad F-Key Reporting Codes

Press RIGHT arrow key to select this menu. Press UP or DOWN arrow keys to select another menu. The ELK key backs up one menu level. To exit press the * or Exit key.

Referring back to Menu 04-Keypad Definitions, each F Key (F1 thru F6) can be programmed to activate a specific event. If the programmed "activate event" is an alarm such as: Burg, Fire, Medical, Police Panic, etc., then it is possible to have an alarm report code transmitted when an F key is used to activate that event. Enter a two digit value for the "A" alarm report code. To disable the alarm report code enter 00. If the reporting format is SIA or Contact ID, the value can simply be 01 because the control will automatically produces the correct code according to alarm type using the SIA or Contact ID protocol. For 4+2 pulse format, enter a value from 01 to FF. To enter the A thru F HEX characters press the RIGHT arrow key to position the cursor under the desired digit, then press the UP arrow (shift) key once. Each press of the 2 key will now produce the following: 2, A, B, C. Each press of the 3 key will now produce the following: 3, D, E, F. Press the RIGHT arrow key to cancel shift and move to the next character.

F-Key Report Codes

FK01: A=00 [KP01 FKey01]

Description of Option

Each Keypad has 6 programmable F keys. This menu displays the F keys starting at FK01 thru FK06 for Keypad 1, then FK07 thru FK13 for Keypad 2, etc. Use the UP and DOWN arrow keys to select the appropriate keypad and key, then press the RIGHT arrow key to programming the code. It may take some experimenting but it is possible to jump directly to a specific keypad and key by entering a two digit number.

To program the alarm report code press the RIGHT arrow key to move the cursor into the A= column, then enter a two digit value. Range is 00 to FF. Default is 00 (no report). To return back to the left column to select another key or keypad press the ELK key

FK02: A=00 [KP01 FKey02]

NOTE: Each reporting code must be programmed according to the desired reporting format. However, for SIA and Contact ID formats the actual reporting digits will be produced by the control according to the type of alarm or event. The only programming required to enable reporting with the SIA and Contact ID formats is to set the programmed code to a non zero (0) value. See below:

Based on the F Key Event definition, the CID (Contact ID) or SIA formats will be:

Keypad Alarm RCs	Alarms		Keypad Alarm RCs	Alarms	
	CID	SIA		CID	SIA
00 = Disabled	----	----	18 = Emergency Alarm	101	QA
01 = Burglar Entry/Exit 1	134	BA	19 = Freeze Alarm	159	ZA
02 = Burglar Entry/Exit 2	134	BA	20 = Gas Alarm	151	GA
03 = Burglar Perim Inst	131	BA	21 = Heat Alarm	114	KA
04 = Burglar Interior	132	BA	22 = Medical Alarm	100	MA
05 = Burglar Int Follower	132	BA	23 = Police Alarm	120	PA
06 = Burglar Int Night	135	BA	24 = Police No Indication	120	PA
07 = Burglar Int Nt Delay	135	BA	25 = Water Alarm	154	WA
08 = Burglar 24 Hour	133	BA	26 = Key Mom Arm/Disarm	----	----
09 = Burglar Box Tamper	137	TA	27 = Key Mom Arm Away	----	----
10 = Fire Alarm	110	FA	28 = Key Mom Arm Stay	----	----
11 = Fire Verified	110	FA	29 = Key Mom Disarm	----	----
12 = Fire Supervisory	200	FS	30 = Key On/Off	----	----
13 = Aux1 24hr Alarm	150	UA	31 = Mute Audibles	----	----
14 = Aux2 24hr Alarm	150	UA	32 = Power Supervisory	338	YT
15 = Keyfob	----	----	33 = Temperature	----	----
16 = Non-Alarm	----	----	34 = Analog	----	----
17 = Carbon Monoxide	162	GA			

NOTE: On CID reporting the 3 digit code will be preceded by a "1".

Menu 12 - Sys Report Code Options & Codes

12-Sys Rpt Code ▶ Options & Codes

Press RIGHT arrow key to select this menu. Press UP or DOWN arrow keys to select another menu. The ELK key backs up one menu level. To exit press the * or Exit key.

System Report Codes and Options are global to the entire system such as Low Battery, AC Fail, etc. Using the up/down arrow keys, select the appropriate option, then press the right arrow key to begin programming that option.

NOTE: Enter a two digit value to enable a report code. To disable a report code enter 00. When SIA or Contact ID is the reporting format, the two digit value can simply be 01 since the control automatically produces the correct code according to the SIA or Contact ID protocol. For 4+2 pulse format, enter a value from 01 to FF. To enter the A thru F HEX characters press the RIGHT arrow key to position the cursor under the desired digit, then press the UP arrow (shift) key once. Each press of the 2 key will now produce the following: 2, A, B, C. Each press of the 3 key will now produce the following: 3, D, E, F. Press the RIGHT arrow key to cancel shift and move to the next character. See Appendix for a summary of the SIA and Contact ID codes.

Sys Rpt Code Options

Description of Option

SR01: 015=AC Fail Rpt Delay - Min▶

AC Fail Report Delay may be set to delay from 001 to 255 minutes. Valid range is 000 - 254 minutes. Default setting is 15 minutes. Setting this location to 255 results in no AC failure annunciation at the keypad or by the dialer.

SR02: T=00 R=00 ▶ AC Fail Codes

AC Fail T (Trouble) code will be reported upon AC failure, after any AC Fail Rpt delay time. AC Fail R (Restore) will be reported immediately upon restoral of the AC power. Range is 00 to FF. Default is 00 (no report).

SR03: 00 = Auto▶ Test Code

Auto Test code may be periodically reported to verify that the telephone line and internal communications circuitry is functioning properly. Range is 00 to FF. Default is 00 (no report).

SR04: =00:00 ▶ Auto Test Hr:Min

Auto Test Hr:Min is normally set to occur during off-peak times. However, it may be set to occur at any specific hour and minute. This location requires military time format. IE: 7:30 is AM while 19:30 is 7:30pm. Default is 00:00 which is Midnight.

SR05: 000=Days ▶ Between AutoTest

Days Between Auto Test may be set to skip a certain number of days, from 1 to 255. The default value is 000 which means that the test code, if programmed, will be reported every day (24 hour interval) from the Auto Test time.

SR06: T=00 R=00 ▶ Aux Overcurrent

Aux. Overcurrent trouble (T) will be reported when the control's auxiliary power is overloaded. A restore (R) will be reported when the overload ceases. Range is 00 to FF. Default is 00 (no report).

SR07: T=00 R=00 ▶ Exp Module Tbl

Exp Module Tbl T (Trouble) will be reported when an enrolled data bus module fails to respond or is missing. Exp Module Tbl R (Restore) will be reported when the module is restored. Range is 00 to FF. Default is 00 (no report).

SR08: 00=Instal▶ Program Begin

This report code may be programmed in order to know when the Installer Level of Programming has been entered. Range is 00 to FF. Default is 00 (no report).

SR09: 00=Instal▶ Program End

This report code may be programmed to notify when Installer Level Programming is ended. To prevent unnecessary reports, the report will not transmit until the * key is pressed three times to signify final end of programming. The report will occur automatically at Midnight if the * key sequence is not pressed. Range is 00 to FF. Default is 00 (no report).

SR10: 00= Log▶ 80% Full

Log 80% Full will be reported whenever the Event Log becomes 80% full. Range is 00 to FF. Default is 00 (no report). The Elk-RP is required to download the log and/or clear it.

Menu 12 - Sys Report Code Options & Codes (continued)

Sys Rpt Code Options

Description of Option

SR11: T=00 R=00 ▶
Low Battery

Low Battery T (Trouble) will be reported if the battery drops below 11.2 Volts. Low Battery R (Restore) will be eligible to report once the battery has passed a test at 11.5 Volts or higher. Range is 00 to FF. Default is 00 (no report).

SR12: T=00 R=00 ▶
Memory Error

Memory Error T (Trouble) will be reported if the system memory checksum fails. An upload or review of the programming is the only way to detect where the error occurred. To clear the error and send a R (Restore) you must enter and exit the installer programming mode. Range is 00 to FF. Default is 00 (no report).

SR13: 00= Up/ ▶
Download End

Up/Download End will be reported upon completion of a Up/Download session as a verification that the control was accessed. Range is 00 to FF. Default is 00 (no report).

SR14: T=00 R=00 ▶
Phone Line Fault

Phone Line Fault T (Trouble) will be reported if the Voltage and Current is lost on the telephone line. Phone Line Fault R (Restore) will report upon restoral of the telephone line. Range is 00 to FF. Default is 00 (no report).

SR15: T=00 R=00 ▶
Output 2 Trouble

Output 2 T (Trouble) will be reported if an open circuit occurs on Output 2. Output 2 R (Restore) will be reported upon restoral of the connection. Range is 00 to FF. Default is 00 (no report).

Based on the event, the CID (Contact ID) or SIA Codes for System Reporting Codes will be:

<u>System RCs</u>	<u>CID</u>	<u>SIA</u>	<u>System RCs</u>	<u>CID</u>	<u>SIA</u>
AC Fail	301	AT	Log 80% Full	623	J L
AC Restore	301	AR	Low Backup Battery	302	Y T
Automatic Test	602	R P	Low Battery Restore	302	Y R
Aux Over Current	312	Y P	Memory Error	304	Y F
Aux Over Current Restore	312	Y Q	Remote Programming End	412	R S
Expansion Module Trouble	333	E T	Telephone Line Fault	351	L T
Expansion Module Restore	333	E R	Telephone Line Restore	351	L R
Local Programming Begin	627	L B	Output 2 Trouble	322	Y A
Local Programming End	628	L X	Output 2 Restore	322	Y H

NOTE: On CID reporting the 3 digit code is preceded by a "1" for new events or a "3" for restore (previous reported) events.

Menu 13 - User Report Codes

13-User Report Codes

Press RIGHT arrow key to select this menu. Press UP or DOWN arrow keys to select another menu. The ELK key backs up one menu level. To exit press the * or Exit key.

NOTE: Enter a two digit value to enable a report code. To disable a report code enter 00. When SIA or Contact ID is the reporting format, the two digit value can simply be 01 since the control automatically produces the correct code according to the SIA or Contact ID protocol. For 4+2 pulse format, enter a value from 01 to FF. To enter the A thru F HEX characters press the RIGHT arrow key to position the cursor under the desired digit, then press the UP arrow (shift) key once. Each press of the 2 key will now produce the following: 2, A, B, C. Each press of the 3 key will now produce the following: 3, D, E, F. Press the RIGHT arrow key to cancel shift and move to the next character. See Appendix for a summary of the SIA and Contact ID codes.

User Report Codes

Description of Option

UR001: Sel Prg
[Name of User]

Each of the 99 User Codes and the Installer has communicator reporting codes for Open (disarm) and Close (arm). Using the up/down arrow keys, select the appropriate user, then press the right arrow key to begin programming of that user's report codes.

UR001:O=00 C=00
[Name of User]

The cursor starts at the 00 beside O (Open). Enter the desired two digit reporting code and press the right arrow key to advance to the C (Close). Range is 00 to FF. Default is 00 (no report). To jump the cursor to the next report code without changing this one simply press the right arrow key. The next press of the right arrow key will advance back to the beginning screen.

UR100:O=00 C=00
Installer Op/Close

UR101:O=00 C=00
Up/Dnload Op/Cl

The CID (Contact ID) or SIA Codes for User Reporting Codes are:

<u>User RCs</u>	<u>CID</u>	<u>SIA</u>
Open	401	OP
Close	401	CL

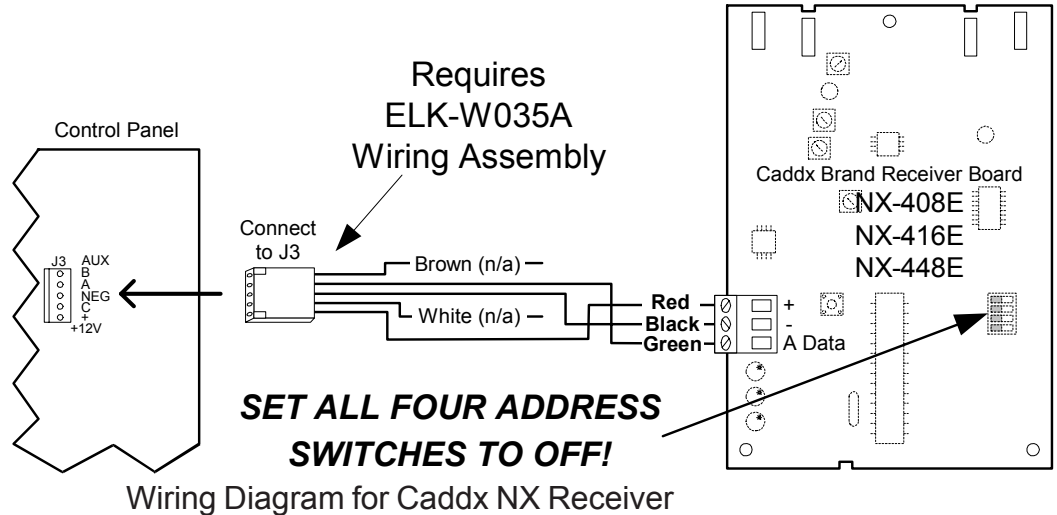
NOTE: On CID reporting the 3 digit code is preceded by a "1" for an opening event or a "3" for a closing event.

Menu 14 - Wireless Definitions

14 - Wireless Definitions

Press RIGHT arrow key to select this menu. Press UP or DOWN arrow keys to select another menu. The ELK key backs up one menu level. To exit press the * or Exit key.

The Control is compatible with the Caddx brand wireless receivers: NX408E (8 zones), NX416E (16 zones), and NX448E (48 zones) and transmitters. Only 1 Receiver may be connected to the Control. A special 5 pin wiring harness (ELK-WO35A) is required and it plugs into connector J3 "Aux Data Bus" located on the upper right side of the board.



WirelessDefinitions

1:Rec Sel Prg Receiver Options

Description

The Wireless Definitions menu is broken into four parts: 1:Receiver Options, 2:Xmitter Options, 3:Xmitter Enroll, and 4:Keyfob Event Definitions. To program Receiver Options press the right arrow key. To move to Transmitter Options, Xmitter Enroll, or Keyfob Event Definitions press the up or down arrow keys.

RO1:=0 Rec Size 0=8 ZoneReceiver

R01: Receiver Size. Identifies the size of the connected Receiver so the appropriate number of zones may be reserved. For the NX408E 8 zone receiver enter a 0, for a NX416E 16 zone receiver enter a 1, for a NX448E 48 zone receiver enter a 2. The Control will recognize these as wireless, starting from the ZnBank setting option.

RO2:=00 ZnBank StartingZone xxx

R02:ZnBank Starting Zone. Identifies where the first wireless zone begins. Using the receiver size and this starting number, the desired number of zones will be blocked out. If another zone expander (hardwired) is encountered that results in a duplicate zone, the Control will error tone and return to a 00 setting. To resolve the conflict: move the starting zone to another setting, move the conflicting zone expander to another address, or reduce the receiver size setting. Valid starting zones must be increments of 16:

02=(Zone 17) 04=(Zone 33) 06=(Zone 49) 08=(Zone 65) 10=(Zone 81)
12=(Zone 97) 14=(Zone 113) 16=(Zone 129) 18=(Zone 145) 20=(Zone 161) 22=(Zone 177)

Example: Entering a value of 2 for receiver size and 02 for starting zone would block out 48 zones from 17 thru 64 as wireless. NOTE: If an 8 zone receiver is installed, the upper 8 zones are not available (wasted) as far as the control is concerned. Receivers with multiples of 16 zones (NX416E and NX448E) are therefore better economic choices.

RO3:=24 Hours Reg. Supervision

R03: Reg. Supervision sets the interval, in hours, for "check-in" by transmitters which are programmed for "Supervision Type 1", see transmitter option 01. Valid range is 001 to 255 hours, however a value lower than 4 is not recommended. Default value is 24.

RO4:=004 Hours Fire Supervision

R04: Fire Supervision sets the interval, in hours, for "check-in" by transmitters which are programmed for "Supervision Type 2" (Fire), see transmitter option 02. Valid range is 001 to 255 hours, however a value lower than 4 is not recommended. Default value is 004.

2:Xmit Sel◀ Prg▶
Transmitter Opt▶

Press the RIGHT arrow key to select 2:Transmitter Options.

WZnxxx:Sel▶ Prg▶
Wireless Zone

Use the UP and DOWN arrow keys to locate a particular wireless transmitter. Press the RIGHT arrow key to select and program the displayed transmitter.

WZnxxx 01:=No ▶
Enable Transmtr

Option 01 "Enable Transmitter" will be set to Yes whenever a new transmitter is enrolled. To disable or remove this transmitter program this to No.

WZnxxx02:=0 ▶
Supervision Type

Option 02 selects the "Supervision Type" for the transmitter. 0=No Supervision, 1=Regular Supervision, 3=Fire Supervision. See receiver options R02 and R03 for supervision time values. Default is 1.

WZnxxx 03:=No ▶
Enable Option 1

Option 03 is used to disable the internal reed switch on the Caddx transmitter so that an external switch may be hardwired to the transmitter. **Refer to the Caddx NX Series Receiver Instructions for complete transmitter details.**

WZnxxx 04:=No ▶
Enable Option 2

Option 04 is used to select whether an external switch should be normally open (N/O) or normally closed (N/C). For N/O set option to No. For N/C set option to Yes. **Refer to the Caddx NX Series Receiver Instructions for complete transmitter details.**

WZnxxx 05:=001 ▶
Keyfob User ID

Option 05 sets the User ID that will be logged when a keyfob is used to arm or disarm. Valid range is 001 to 255. If assigned as 001 to 099, the keyfob will mirror the keypad user codes. If any of those users are programmed for opening/closing reports, they will be reported regardless of whether a keypad code OR keyfob was used. NOTE: Since there are no opening/closing report codes beyond user 99, any keyfob ID that is set higher than 99 will utilize the opening/closing report code for User 99.

3:Learn Sel◀ Prg▶
WirelessTransmtr

Press the RIGHT arrow key to select 3:Learn Wireless Transmitters.

WZone = xxx ▶
TransmtToEnroll

Press the UP or DOWN arrow keys to locate the wireless zone that you wish to enroll. Then press the RIGHT arrow key to continue.

WZone = xxx Push
TransmitterButton

Go to the transmitter and press the tamper or enroll button. The keypad should emit a short tone when the transmitter becomes enrolled.

4:KeyfobSel◀ Prg▶
Event Definition

Press the RIGHT arrow key to select 4:Keyfob Event Definition

Keyfob Button=1▶
1000=Event

Press the UP or DOWN arrow keys to locate the keyfob button to program. There are a total of 8 programmable buttons, however only 6 of the 8 may be used on the keyfob. The valid activation events programmable for each button ranges from 0000-0030 (utilizing the Zone Definitions table) and 2001-2032 (utilizing Appendix A, Event Codes).

The standard buttons are as follows: Button 1 (Lock), 2 (Unlock), 3 (Light), and 4 (Asterisk). For Button 7 press a combination of buttons 1 & 2 together at the same time. For Button 8 press a combination of buttons 3 & 4 together at the same time.

Button 3 on a keyfob can be changed to 5 by setting the transmitter Option 1 to Yes. Button 4 on a keyfob can be changed to 6 by setting the transmitter Option 2 to Yes.

Section 4 - PC Programming and Automation Capabilities

4.1 ELK-RP Software



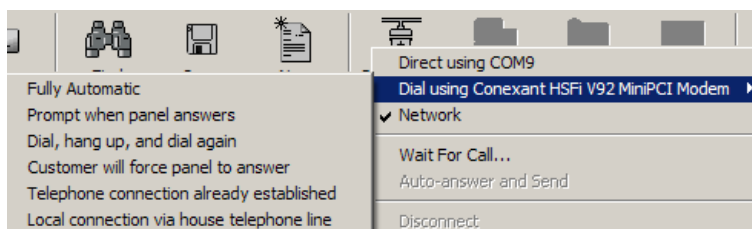
ELK-RP (RP) is a Windows based software package that is compatible with Windows 95 and later. It features an extremely intuitive user interface and contains all data in a central database. RP can be run on a single PC or over a local area network (LAN) with multiple operators. In addition to the traditional security programming features, RP allows you to create and manage the automation functionality in the control. The following information is a brief overview including illustrations of the various screens. Please refer to RP's on-line help file for specific operation details.



4.1.1 RP Connection Methods

There are 3 methods for the RP software to connect with the control. Regardless of the method, the control's serial number and RP access code **MUST** match in order for the connection to be successful. The connection methods are:

1. **Direct using Com_** (PC Com port) - Requires an M1EZ8MSI Main Serial Port board and a 9 pin serial cable. Data transfer is 115,200 baud. **NOTE: If your computer only has a USB port, an approved converter (USB to RS-232) is available from Radio Shack and from ELK (ELK-USB232).**



2. **Dial-up using Modem** and phone line - RP is compatible with virtually all computer modems, even 56k modems. This is due to the controls built-in V.22 bis "True" modem, which handles data transfer at 2,400 baud. The 6 dial-up options are:

Fully Automatic - RP dials the control phone number and listens for the control to answer on it's "rings until answer" setting.

If an answering machine answers, RP will transmit codes to override it automatically.

Prompt when answer - RP dials and listens for the control to answer. It waits for a manual OK before connecting.

Dial, hang up, dial again - This is faster than waiting on the control's "rings until answer" setting. It is also useful for reaching premises that have telephone company answer/forward services. The control must be enabled for this option. After dialing, RP leaves the PC speaker on, and prompts you to click "Hang-up" after you hear two rings. It then forces a time delay before allowing you to click OK to start the second dial. As long as the control properly detects the first two rings and subsequent hang-up, it will wait up to 45 seconds for a second call and answer that call on the first ring.

Customer will force answer - Similar to method 1 except the User must enter keypad menu 8, option 5, item 1 to force the control to answer. This is necessary if the "rings until answer" or "dial/hang-up/dial" options are not programmed.

Telephone connection already established - If a voice connection is already established using the control's phone line and the PC's phone line, this method can be used to take over the connection and initiate an immediate connection.

3. **Network** - With an optional ELK-M1XEP Ethernet Port module you can connect over a Local or Wide Area Network. (Contact ELK for details)

4.1.2 Check for Conflicts

During the connect and disconnect process RP performs an automatic check of the data stored in the control and compares it the database. If there are any conflicts (differences), a pop-up resolution window display them and allows corrections to be made. ELK regards "Check for Conflicts" to be an especially important feature. It can point out any changes that have occurred such as a user having added or changed a code. The resolution window allows you to receive the control's data into the database (accept the local version) or send the RP data to the control (accept the database version). **NOTE: Checking for conflicts adds considerable time to the connect/disconnect process, especially on dial-up connections. For this reason, the automatic check for conflicts may be disabled from the SETUP menu. A manual Check for Conflicts can be selected from the Send/Rcv icon.**

4.1.3 Sending and Receiving Data

RP allows many options and groups of options to be sent or received individually, which greatly reduces the on-line connect time if there are only a few items to be changed. However, a full send or receive occurs very quickly, thanks to the built-in V.22 bis "True" Modem. RP features easy to use menus & toolbar icons and makes extensive use of the right mouse button to perform operations. Try right clicking on any item or icon to see the available options.

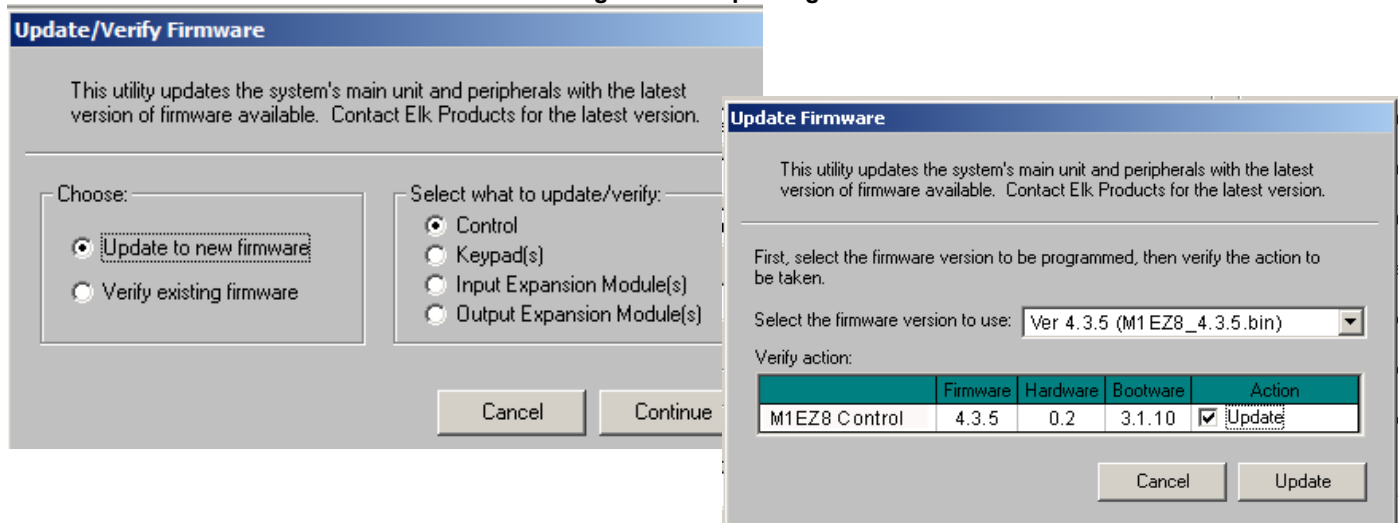
4.2 Update/Verify Firmware in the Control and Peripherals

The control stores it's operating firmware in "Flash" memory. This state-of-the-art memory allows electronic field updates to the control and its peripherals, and eliminates the old fashion method of changing IC chips or shipping boards back to the factory. As new firmware updates become available, they will be posted on ELK's Dealer ONLY restricted website found at www.elkproducts.com. **NOTE: Firmware updating can only be done from a Direct to PC Com port connection or an optional Ethernet Network connection. Due to the amount of data that has to be transferred, Dial-up connections cannot be used to perform firmware updates.**

How to Update Firmware:

1. In order to make a RS232 Serial connection from an EZ8 Control to a PC the EZ8 must be equipped with an ELK-EZ8MSI Main Serial Port Interface. This provides a standard RS232 Port with operating speed up to 115,200.
2. Connect a 9 pin serial cable from the Computer's Serial Port to the 9 Pin RS232 Connector on EZ8MSI.
3. Start RP and open the account belonging to that particular control. Click on the Connection menu icon and establish a connection using the **Direct using Com_** option.
4. Click on Update/Verify Firmware from the Send/Rcv menu icon.
5. On the Update/Verify screen, select the device to be updated (Control, Keypad, etc.) along with the "Update to new firmware" option. Then click Continue.
6. The Update Firmware screen displays the device name, the current Firmware, Hardware, and Bootware version, and a pull down window for selecting the firmware version to use on the update. Always select the latest firmware version (highest number). Be sure to save all update (.bin) files that are downloaded or received via CDROM into the ~Program Files\ElkRP\Updates directory on your computer. This is where RP looks for all update files.
7. Click on the check box for "Update". If "Reprogram" or "Rollback" is displayed the firmware file is the same as OR older that what is in the control. Reprogramming with the same firmware is a waste of time but was included for factory testing purposes. Rollback is not recommended except under the guidance of Elk Technical Support.

NOTE: The option for "Verify existing firmware" on the Update/Verify screen is normally not required except for factory diagnostics. If the control has multiple keypads, expanders, etc., RP will display the details about each one onscreen with a check box for selecting units for updating.

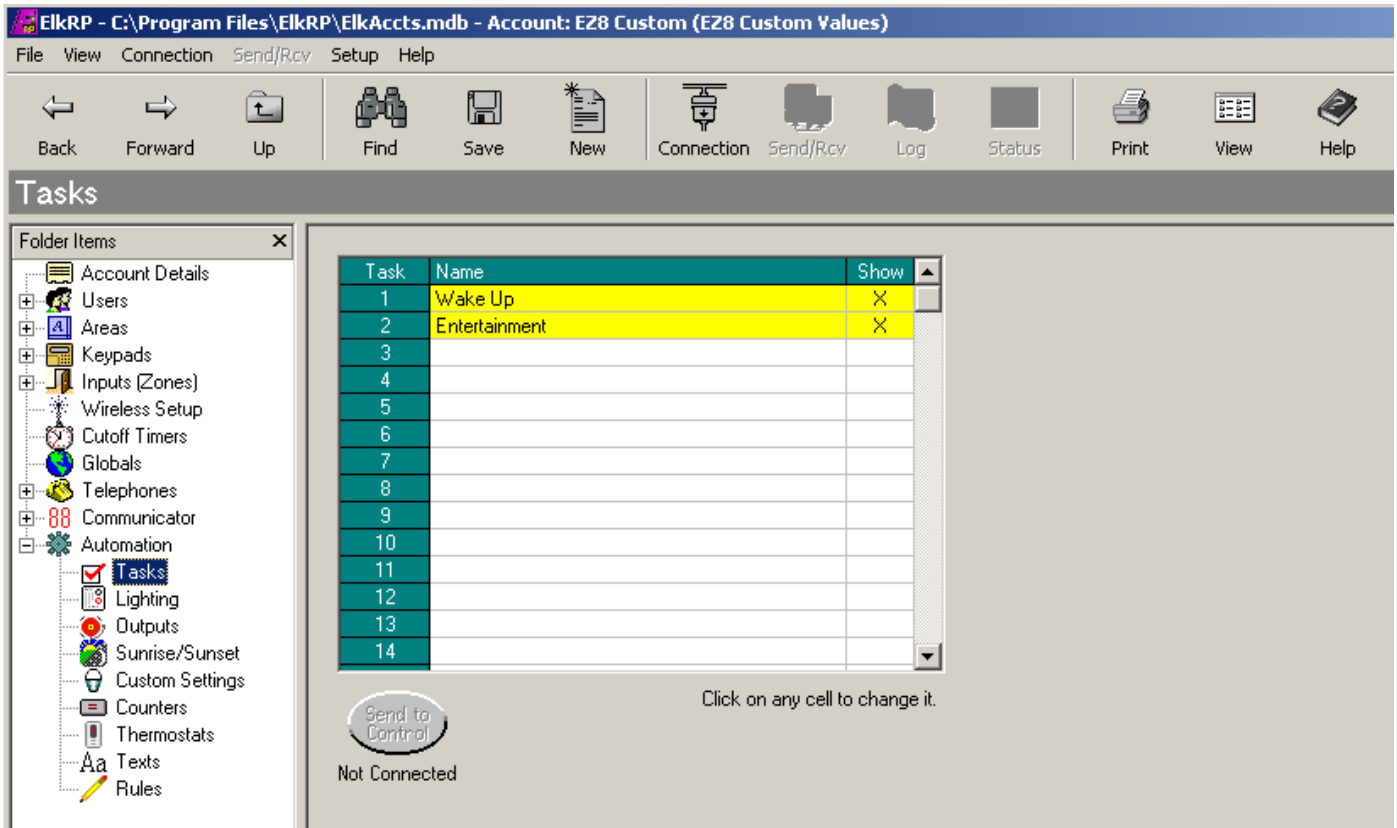


4.3 Automation Rules and Attributes

The Automation Programming software offers powerful, easy to setup and manage, life style enhancement features. The automation programming allows mixing and matching of lighting components, outputs (relays or voltage), thermostats, temperature sensors, and all the security inputs and features to integrate functions that add value and appeal to the owner/user. Lights can be set to turn on and off in response to a time or day, a certain sensor, or according to the arm/disarm status of the security control. Outputs can be set to control door strikes, irrigation sprinklers, circulating pumps valves, etc.

The power behind the automation features is the unique RULES Engine. Rules are expressions of what you would like to happen at a given time or in response to a set of circumstances. The following information is intended to provide an overview of the vast automation features in the control.

TASKS - A Task is similar to a computer macro, in that a single activation can result in multiple actions or events. **The actions and triggering of a Task must be written or developed in a Whenever/And/Then Rule.** The purpose of the task screen is to assign each task its own 16 character description and the ability to “Show” on the keypad or the telephone remote control menu. Up to 32 Tasks can be programmed. Examples are “Water the Lawn” which could be used to turn on a series of outputs or relays to control underground water valves for a certain time duration. “Welcome Home” could be task used to control a series of lights at a given time or day or in response to someone disarming the security system. The following shows several tasks.



LIGHTING - The control can handle up to 256 Light (or appliance) devices. Each is assigned to one of 256 addresses. Each device is displayed in columnar format with the following options and settings: **Name** - Each device can be given a 16 character name (description) which is displayed on the keypad when the light is being controlled. **Format** - This pull down box selects the protocol of the device. The available Lighting formats are: Standard, Extended, Preset dim, Compose, Serial Port. The Serial port format is for UPB, ALC, Centralite, others through an ELK-M1XSP Lighting/Thermostat/Serial Expander Interface. **Type** - This pull down box selects the whether the device is a: On/Off Switch, Dimmer, or Appliance. **Show** - If this box is checked the device will appear "show" on the keypad and telephone remote as you scroll through the automation control menus. **2-way** - This checkbox is used to record whether the device is capable of replying back to commands. **NOTE: Additional lighting formats are in development, including the new Z-Wave wireless devices. Even if a lighting product is not directly supported, it is always possible to use RS-232 ASCII strings for communicating lighting control.**

Device	Name	Format	Type	2-way	Show
1 (A1)	Mst Bedrm Lamp	Preset Dim	Dimmer		X
2 (A2)	Night Light	Standard	On/off switch		X
3 (A3)	Flood Light	Extended	Dimmer		X
4 (A4)	Garage Light	Serial Expander *	Dimmer		X
5 (A5)	Living Rm Light	Compose	Dimmer		X
6 (A6)					
7 (A7)					
8 (A8)					
9 (A9)					
10 (A10)					
11 (A11)					
12 (A12)					

OUTPUTS - These can be in the form of voltage only, relays, or a combination of the two. Up to 204 outputs may be controlled. The first 32 outputs have a 16 character description and the "Show" on keypad or telephone remote option. However, any output may be controlled from the keypad by entering its number. Outputs can be used to actuate door locks, motors, fan, pumps, etc.

Output	Name	Show
9	Air Cond	X
10	Door Lock	X
11		

SUNRISE/SUNSET - Sunrise and sunset can be used to control lighting and other entities. This section is the setup for the built-in Astronomical clock, which is capable of calculating sunrise and sunset times automatically. The inputs necessary to setup the control for sunrise/sunset are latitude, longitude, and the time zone value where the control is installed. Latitude/longitude information can often be found printed on city or state highway maps, or it can be researched on the internet. After entering the required information, click calculate and then send to the control.

Latitude: 85 Degrees 44 Minutes North South

Longitude: 81 Degrees 20 Minutes West East

Time Zone: -5 North America Eastern Time

Click to calculate all sunrise and sunset times based on the latitude and longitude entered above.

Sunrise/sunset times listed above have been calculated based on latitude, longitude, and time zone values entered.

		Sunrise	Sunset
January	1	07:35 AM	05:23 PM
	2	07:35 AM	05:24 PM
	3	07:35 AM	05:25 PM

NOTE: The Time Zone automatically assumes "standard time". Therefore, the calculated times will reflect standard time. If the control is set for "Observe Daylight Savings Time" the sunrise/sunset times will be adjusted by the control accordingly.

CUSTOM SETTINGS - These are 20 memory locations which may be assigned a 12 character description, a function type (one of 3), and a starting value. An authorized user can then access the custom settings from keypad user menu 7-Automation Custom Settings, and modify the value whether it be a numeric value, a timer (seconds), or a time-of-day. Incorporating custom settings in rules provides the user the ability to modify how the rule will operate. For instance, the user can modify the time or duration for the lawn sprinklers which have been programmed to turn on automatically. The function types include: A 5 digit raw number with a range of 00000 to 65,535, a 5 digit timer (seconds) with a range of 00000 to 65,535 seconds, or a Time (time of day) which is formatted as 00:00 with a range of 00:00 to 23:59.

Custom Setting	Name	Type	Value
1	Water On Tm	1 = Timer	0
2		0 = Number	0
3		0 = Number	0
4		0 = Number	0

COUNTERS - These memory locations (often called flags) can be set, incremented, decremented, or compared by an automation rule to track an event or keep up with how many times an event has occurred. There are a total of 64 counters. Each can be programmed with a 12 character description, making it easy to reference in an automation rule.

Counter	Name
1	Memory01
2	Memory02
3	Memory03

THERMOSTATS - HVAC Thermostats may be read and/or controlled by the automation rules engine. This menu allows each thermostat to be assigned a 12 character description for easy reference in an automation rule. The compatible thermostats are: RCS, Aprilaire, and HAI. Due to the various data protocols, a Lighting/Thermostat/Serial Interface Expander (ELK-M1XSP) is needed to couple the M1 data bus to HVAC thermostats. Depending on the brand of thermostat, its wiring interface (RS-232 or RS-485), and the model of control that you are installing, up to 16 HVAC thermostats can be controlled. Many communicating thermostats operate stand-alone when they are not being remotely commanded by an automation controller.

The screenshot shows the 'Thermostats' window. On the left is a 'Folder Items' tree view with the following items: Account Details, Users, Areas, Keypads, Inputs (Zones), Wireless Setup, Cutoff Timers, Globals, Telephones, Communicator, Automation, Tasks, Lighting, Outputs, Sunrise/Sunset, Custom Settings, Counters, and Thermostats (highlighted). On the right is a table with columns 'Tstat' and 'Name'. The first three rows are highlighted in yellow.

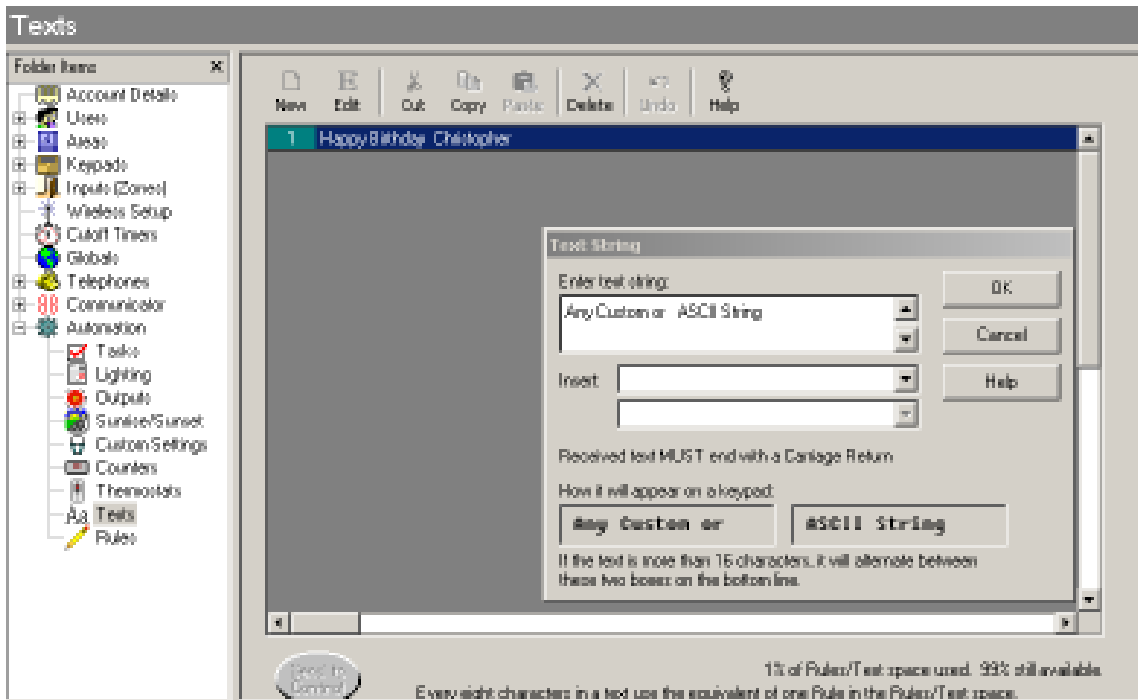
Tstat	Name
1	Main Floor
2	Upstairs
3	Basement
4	Game Room
5	
6	
7	
8	
9	
10	
11	
12	
13	
14	

At the bottom of the window, there is a 'Send to Control' button and the text 'Click on any cell to change it.'

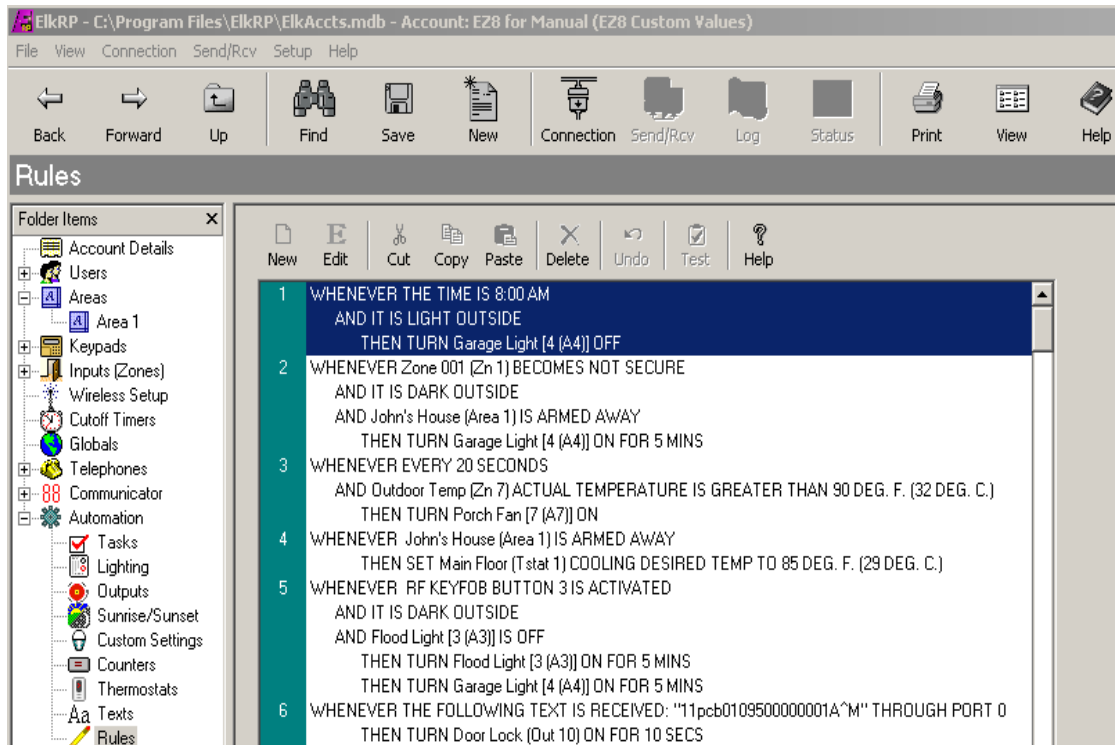
TEXTS - This section allows custom text messages to be constructed and formatted. These messages can be transmitted to an LCD keypad or out one of the RS232 serial ports to a PC or some other type of equipment. I.E. Touchscreen, Lighting

centers, etc. A message to the keypad could be “Happy Birthday” or “Please Pay Your Bill”, while a message going out a serial port might be a series of ASCII characters formatted to a certain manufacturers protocol. Special options built into this menu include: automatic display of temperature readings from Zone Temperature Sensors (ELK-M1ZTS) and from the temperature sensor built into an LCD Keypad. The sending or receiving of text messages is controlled by the automation rules engine.

NOTE: Text messages share the same memory space as rules. The total number of text messages and rules combined cannot exceed the total amount of rule space in the control.

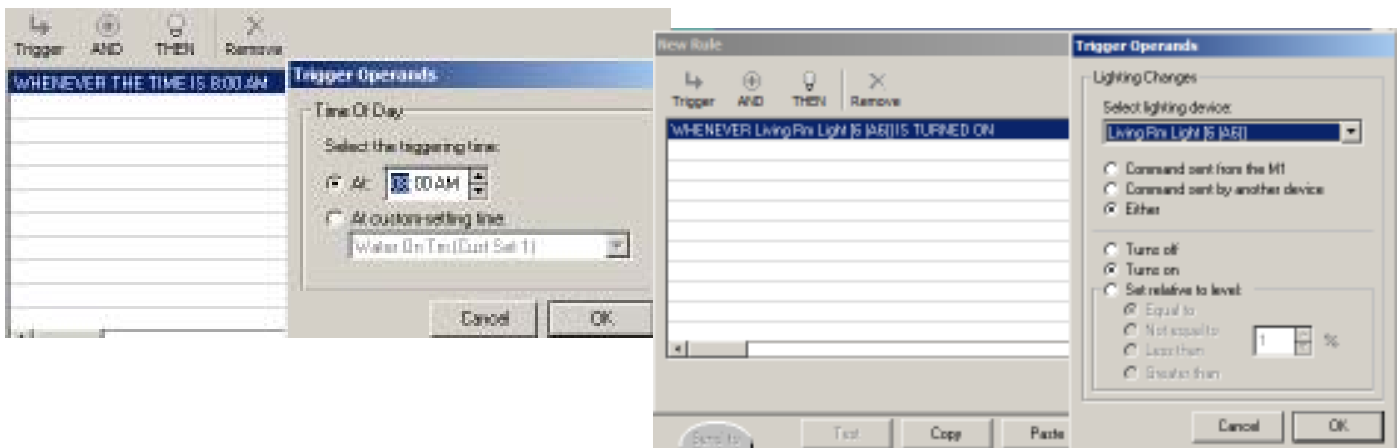


RULES - This section essentially brings all the power of the automation together. Rules consist of three major elements: A WHENEVER (“triggering”) condition, one or more ANDs (“qualifiers”), and one or more THENs (“activations”). Rules utilize the various elements of the previously described sections in addition to the many control conditions (arm, disarm, alarms, etc.), plus many of the event codes listed in Appendix A. For example: A rule might be triggered by a Task to activate a specific light and output, but only if the control is armed in a specific mode.



WHENEVER - The first element of a rule and the starting point of every rule is a triggering event. Every rule must have a triggering event in order to be started. A triggering event can be a time of day occurrence, a zone opening or closing, the security system going from armed to disarmed, a light changing from on to off, or literally hundreds of other events. Below are some examples of WHENEVER elements:

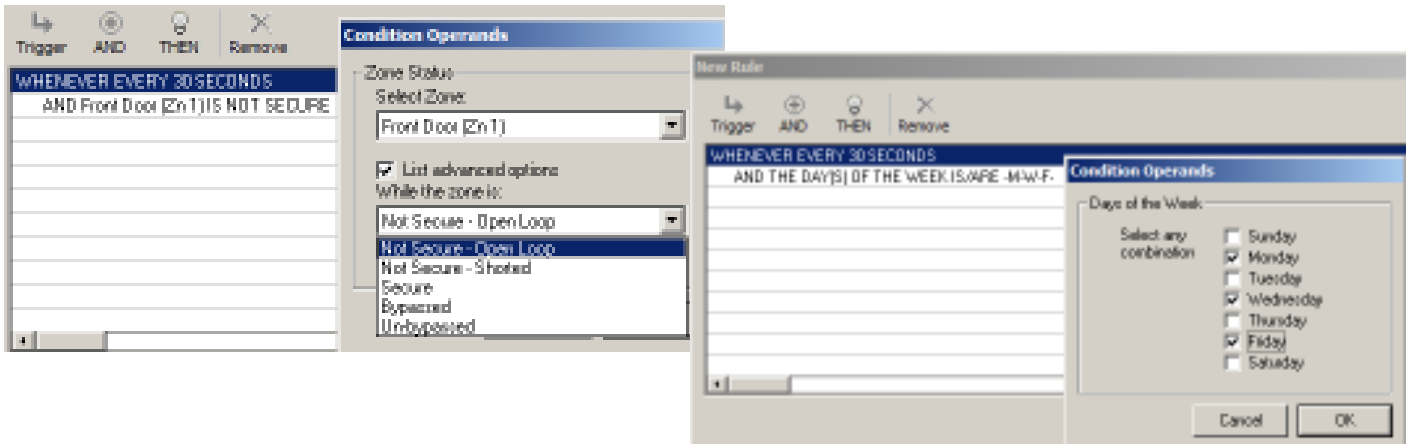
- Example 1 = WHENEVER THE TIME IS 08:00AM
- Example 2 = WHENEVER Living Rm Light [6 (A6)] IS TURNED ON



An important point to remember is that a WHENEVER gets triggered by the transition of its event from one state to another. In example 1, the trigger occurs when the time of day goes from 07:59AM to 08:00AM. In example 2, the trigger occurs when the living room light goes from off to on. Some WHENEVER elements may even include the word “BECOMES”, which clearly implies that the event has to change from its current condition and “become” the alternate condition. Just remember, a rule can only be triggered by the transition of an event from one condition to another.

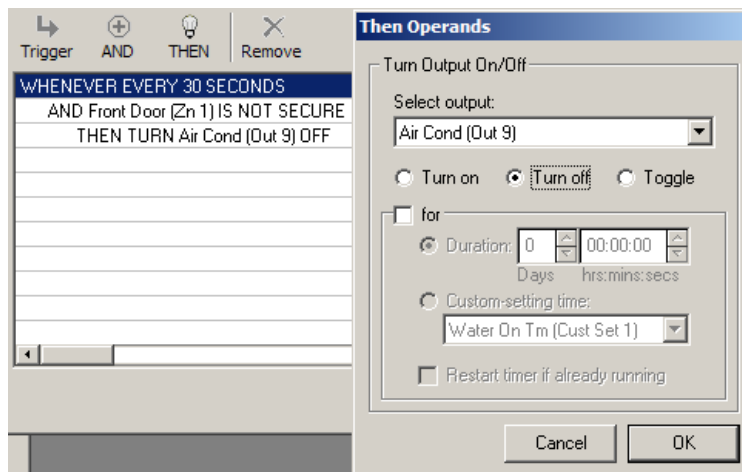
AND - The second and optional element of a rule is a qualifier. Rules can have one or more qualifiers OR none at all. Even though qualifiers are not required, they are ideal for filtering out actions that should not occur under certain circumstances. A qualifier can be a time, day(s), the state of light or dark, the state of a zone, output, or light, and hundreds of other variables. The state of light or dark can be determined by the Sunrise/Sunset settings from the control's Astronomical Clock. Below are some examples of AND (qualifiers):

- Example 3 = AND Front Door (Zn 1) IS NOT SECURE
- Example 4 = AND THE DAY(S) OF THE WEEK IS/ARE -M-W-F-
- Example 5 = AND IT IS DARK OUTSIDE
- Example 6 = AND John's House (Area 1) IS ARMED AWAY



THEN - The third and final element of a rule is the action that you wish to occur as a result of the Rule being triggered and all the qualifiers being true. Below are some examples of THEN actions:

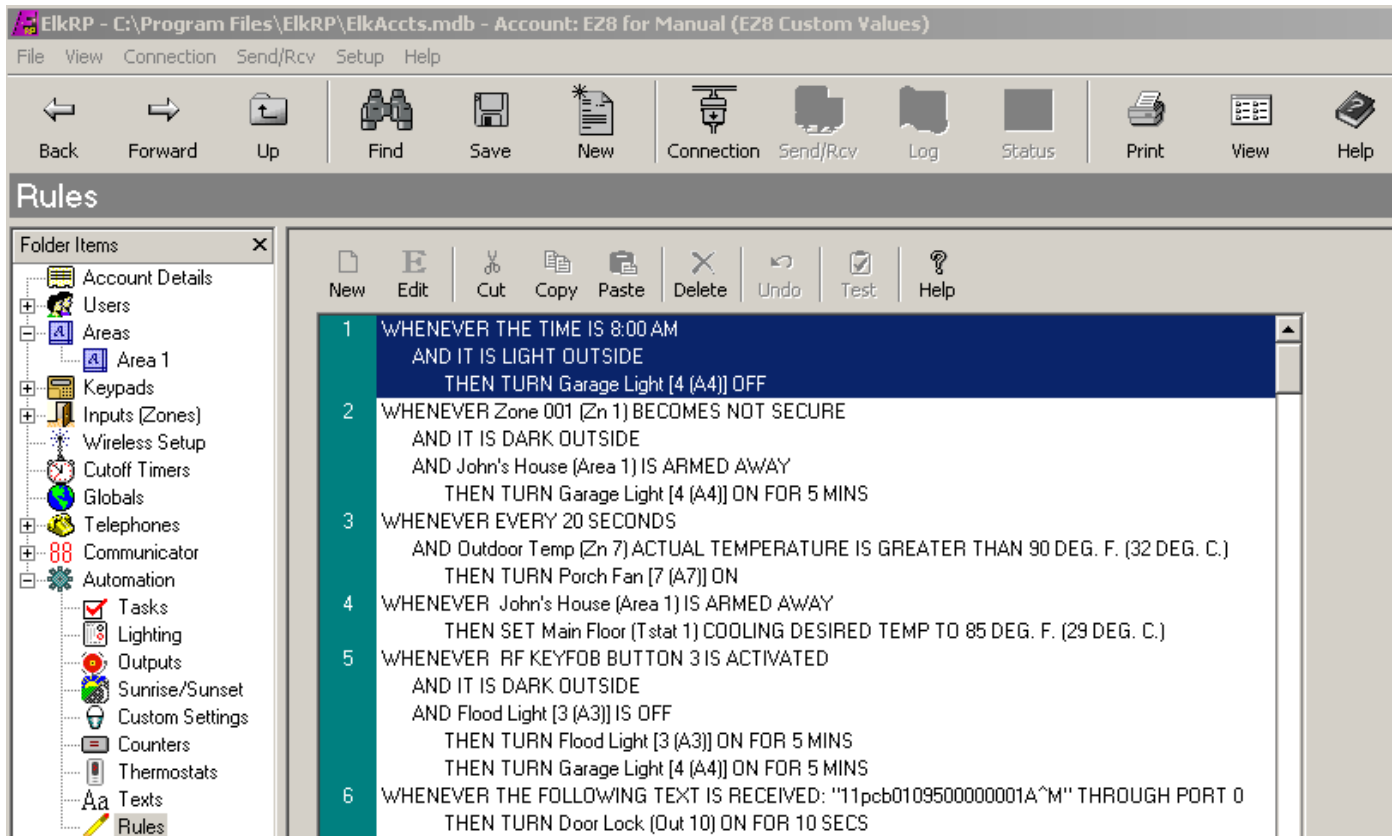
- Example 7 = THEN TURN Air Cond (Out 9) OFF
- Example 8 = THEN TURN Living Rm Light [6 A6] OFF
- Example 9 = THEN SET Main Floor (Tstat 1) OFF
- Example 10 = THEN TURN All Lights On



Here is an example of a rule used to turn off the air condition anytime the front door is left open by the kids. It consists of a 30 second timer for the WHENEVER trigger an AND to test the door's open/closed state, and a THEN to turn off the output that controls the air condition.

```
WHENEVER EVERY 30 SECONDS
  AND Front Door (Zn 1) IS NOT SECURE
  THEN TURN Air Cond (Out 9) OFF
```

Examples of Rules - Shown below are a series of rules that should help illustrate the power and results that rules can provide. Look closely at the ones that have multiple ANDs and THENs. Rules with Multiple ANDs and THENs work as follows: When the WHENEVER element is triggered, each one of the AND elements is evaluated to determine if the condition its testing is true. If any one of the ANDs are not true, the rule engine stops executing the rule immediately. However, if all ANDs are true then the rule engine moves on to the THEN elements, executing each one of them.



- Rule 1 is an energy saving example. It automatically turns off the Porch lights at 8:00AM everyday if it is light outside.
- Rule 2 is a courtesy light example. It will turn on the Porch light for 5 minutes when the Front door opens (exiting the building) provided it is dark outside and the control has been armed to the away mode.
- Rule 3 is a comfort example. It periodically (every 20 seconds) checks the temperature reading of the Outdoor Temp sensor and turns on the Porch Fan if the temperature becomes greater than 90 degrees. **NOTE: An additional AND element could be added to prevent the fan from operating on certain days or at certain times.**
- Rule 4 is another energy savings example. It adjusts the cooling setpoint of the Main Floor Thermostat to 85 degrees whenever the control is armed to the away mode.
- Rule 5 is especially great for a homeowner arriving home after dark. If they are equipped with an RF (wireless) Keyfob and they press button #3, the rule will turn on the outside Flood lights and Porch lights for 5 minutes, provided it is dark outside and the Flood lights are not already on. If the Floodlights were already on the rule would stop. This prevents the lights from going off after 5 minutes if you intentionally had already turned them on manually.
- Rule 6 shows how an ASCII string coming in from the serial port (port 0) could be used to unlock a door strike for 10 seconds and announce "Access Allowed". This string could come from Access Control system.

In this last example, three rules are used to chirp the outside siren based on the input of a RF Keyfob to arm the control.

- Rule 8 makes the siren chirp once if the control successfully arms when the user presses button 1.
- Rule 9 makes the siren chirp twice if the control disarms when the user presses button 2
- Rule 10 makes the siren chirp four times (error tone) if the control fails to arm when the user presses button 1.

```

8  WHENEVER RF KEYFOB BUTTON 1 IS ACTIVATED
   AND John's House (Area 1) IS ARMED AWAY
   THEN CHIRP THE OUTSIDE SIREN 1 TIME
9  WHENEVER RF KEYFOB BUTTON 2 IS ACTIVATED
   AND John's House (Area 1) ARM STATE = DISARMED
   THEN CHIRP THE OUTSIDE SIREN 2 TIMES
10 WHENEVER RF KEYFOB BUTTON 1 IS ACTIVATED
   AND John's House (Area 1) ARM STATE = DISARMED
   THEN CHIRP THE OUTSIDE SIREN 4 TIMES

```

Appendix A - Event Codes

Event Codes are four digit numbers used to represent alarms, troubles, arm/disarms, restores, and various other conditions that occur within the control. For the most part, they are used only internally by the control's software. For example: turning on the alarm output. However, there are cases where the installer may need these codes. Case #1 - Keypad F key programming. Each of the Keypad F keys may be programmed to activate a particular condition such as Emergency Panic Alarm. See Menu 04 - Keypad Definitions. The activation event code can be any of the zone definition codes. The F1 key may also be programmed to light up or "illuminate" when a condition is active. The F1 key can illuminate when the Emergency Panic Alarm is active by programming the four digit event code 1011 = Emergency Alarm. Case #2 - Event History log. Each of the 512 entries in the event history log is represented by one of these 4 digits event codes, along with the time, date, area, and/or user code. It may be necessary or helpful to have these codes handy to fully interpret the log.

Event Description	Reset	Event Description	Reset	Event Description	Reset	Event Description	Reset
0000 or 1000 =No Event	N	1063 = Emergency Alm in Area 1	TMC	1128 = Fire Trouble, Any Zone	TMC	1191 = Area 1 is Armed Stay	N
1001 = Fire Alarm	TMC	1064 = Emergency Alm in Area 2	TMC	1129 = Burglar Trouble, Any Zone	TMC	1192 = Area 2 is Armed Stay	N
1002 = Fire Supervisory	TMC	1065 = Emergency Alm in Area 3	TMC	1130 = Fail to Communicate Tbl	N	1193 = Area 3 is Armed Stay	N
1003 = Burglar Alarm, Any Area	TMCB	1066 = Emergency Alm in Area 4	TMC	1131 = RF Sensor Low Battery Tbl	N	1194 = Area 4 is Armed Stay	N
1004 = Medical Alarm, Any Area	TMC	1067 = Emergency Alm in Area 5	TMC	1132 = Lost ANC Module Trouble	N	1195 = Area 5 is Armed Stay	N
1005 = Police Alarm, Any Area	TMC	1068 = Emergency Alm in Area 6	TMC	1133 = Lost Keypad Trouble	N	1196 = Area 6 is Armed Stay	N
1006 = Aux1 24 hr, Any Area	TMC	1069 = Emergency Alm in Area 7	TMC	1134 = Lost Input Expander Tbl	N	1197 = Area 7 is Armed Stay	N
1007 = Aux2 24 hr, Any Area	TMC	1070 = Emergency Alm in Area 8	TMC	1135 = Lost Output Expander Tbl	N	1198 = Area 8 is Armed Stay	N
1008 = CO Alarm, Any Area	TMC			1136 = EEPROM Memory Error Tbl	C		
1009 = Emergency Alm, Any Area	TMC	1071 = Freeze Alarm in Area 1	TMC	1137 = Flash Memory Error Trouble	C	1199 = Area 1 is Armed Stay Instant	N
1010 = Freeze Alarm, Any Area	TMC	1072 = Freeze Alarm in Area 2	TMC	1138 = AC Failure Trouble	N	1200 = Area 2 is Armed Stay Instant	N
1011 = Gas Alarm, Any Area	TMC	1073 = Freeze Alarm in Area 3	TMC	1139 = Control Low Battery Trouble	N	1201 = Area 3 is Armed Stay Instant	N
1012 = Heat Alarm, Any Area	TMC	1074 = Freeze Alarm in Area 4	TMC	1140 = Control Over Current Trouble	N	1202 = Area 4 is Armed Stay Instant	N
1013 = Water Alarm, Any Area	TMC	1075 = Freeze Alarm in Area 5	TMC	1141 = Expansion Module Trouble	N	1203 = Area 5 is Armed Stay Instant	N
1014 = Alarm, Any Area	TMC	1076 = Freeze Alarm in Area 6	TMC	1142 = Output 2 Supervisory Tbl	N	1204 = Area 6 is Armed Stay Instant	N
		1077 = Freeze Alarm in Area 7	TMC	1143 = Telephone Line Fault Tbl		1205 = Area 7 is Armed Stay Instant	N
		1078 = Freeze Alarm in Area 8	TMC			1206 = Area 8 is Armed Stay Instant	N
1015 = Burglar Alarm in Area 1	TMC			1144 = Restore Fire Zone	B		
1016 = Burglar Alarm in Area 2	TMC	1079 = Gas Alarm in Area 1	TMC	1145 = Restore Fire Supv Zone	B	1207 = Area 1 is Armed Night	N
1017 = Burglar Alarm in Area 3	TMC	1080 = Gas Alarm in Area 2	TMC	1146 = Restore Burglar Zone	B	1208 = Area 2 is Armed Night	N
1018 = Burglar Alarm in Area 4	TMC	1081 = Gas Alarm in Area 3	TMC	1147 = Restore Medical Zone	B	1209 = Area 3 is Armed Night	N
1019 = Burglar Alarm in Area 5	TMC	1082 = Gas Alarm in Area 4	TMC	1148 = Restore Police Zone	B	1210 = Area 4 is Armed Night	N
1020 = Burglar Alarm in Area 6	TMC	1083 = Gas Alarm in Area 5	TMC	1149 = Restore Aux1 24 hr Zone	B	1211 = Area 5 is Armed Night	N
1021 = Burglar Alarm in Area 7	TMC	1084 = Gas Alarm in Area 6	TMC	1150 = Restore Aux2 24 hr Zone	B	1212 = Area 6 is Armed Night	N
1022 = Burglar Alarm in Area 8	TMC	1085 = Gas Alarm in Area 7	TMC	1151 = Restore CO Zone	B	1213 = Area 7 is Armed Night	N
		1086 = Gas Alarm in Area 8	TMC	1152 = Restore Emergency Zone	B	1214 = Area 8 is Armed Night	N
1023 = Medical Alarm in Area 1	TMC			1153 = Restore Freezer Zone	B		
1024 = Medical Alarm in Area 2	TMC	1087 = Heat Alarm in Area 1	TMC	1154 = Restore Gas Zone	B	1215 = Area 1 is Armed Night Instant	N
1025 = Medical Alarm in Area 3	TMC	1088 = Heat Alarm in Area 2	TMC	1155 = Restore Heat Zone	B	1216 = Area 2 is Armed Night Instant	N
1026 = Medical Alarm in Area 4	TMC	1089 = Heat Alarm in Area 3	TMC	1156 = Restore Water Zone	B	1217 = Area 3 is Armed Night Instant	N
1027 = Medical Alarm in Area 5	TMC	1090 = Heat Alarm in Area 4	TMC	1157 = Communication Fail Restore	B	1218 = Area 4 is Armed Night Instant	N
1028 = Medical Alarm in Area 6	TMC	1091 = Heat Alarm in Area 5	TMC	1158 = AC Fail Restore	B	1219 = Area 5 is Armed Night Instant	N
1029 = Medical Alarm in Area 7	TMC	1092 = Heat Alarm in Area 6	TMC	1159 = Low Battery Restore	B	1220 = Area 6 is Armed Night Instant	N
1030 = Medical Alarm in Area 8	TMC	1093 = Heat Alarm in Area 7	TMC	1160 = Control Over Current Restore	B	1221 = Area 7 is Armed Night Instant	N
		1094 = Heat Alarm in Area 8	TMC	1161 = Expansion Module Restore	B	1222 = Area 8 is Armed Night Instant	N
1031 = Police Alarm in Area 1	TMC			1162 = Output 2 Restore	B		
1032 = Police Alarm in Area 2	TMC	1095 = Water Alarm in Area 1	TMC	1163 = Telephone Line Restore	B	1223 = Area 1 is Armed Vacation	N
1033 = Police Alarm in Area 3	TMC	1096 = Water Alarm in Area 2	TMC			1224 = Area 2 is Armed Vacation	N
1034 = Police Alarm in Area 4	TMC	1097 = Water Alarm in Area 3	TMC	1164 = Alarm Memory	A	1225 = Area 3 is Armed Vacation	N
1035 = Police Alarm in Area 5	TMC	1098 = Water Alarm in Area 4	TMC	1165 = Alarm Memory in Area 1	TMC	1226 = Area 4 is Armed Vacation	N
1036 = Police Alarm in Area 6	TMC	1099 = Water Alarm in Area 5	TMC	1166 = Alarm Memory in Area 2	TMC	1227 = Area 5 is Armed Vacation	N
1037 = Police Alarm in Area 7	TMC	1100 = Water Alarm in Area 6	TMC	1167 = Alarm Memory in Area 3	TMC	1228 = Area 6 is Armed Vacation	N
1038 = Police Alarm in Area 8	TMC	1101 = Water Alarm in Area 7	TMC	1168 = Alarm Memory in Area 4	TMC	1229 = Area 7 is Armed Vacation	N
		1102 = Water Alarm in Area 8	TMC	1169 = Alarm Memory in Area 5	TMC	1230 = Area 8 is Armed Vacation	N
1039 = Aux1 24 hr in Area 1	TMC			1170 = Alarm Memory in Area 6	TMC		
1040 = Aux1 24 hr in Area 2	TMC	1103 = Any Alarm in Area 1	TMC	1171 = Alarm Memory in Area 7	TMC	1231 = Area 1 is Force Armed	N
1041 = Aux1 24 hr in Area 3	TMC	1104 = Any Alarm in Area 2	TMC	1172 = Alarm Memory in Area 8	TMC	1232 = Area 2 is Force Armed	N
1042 = Aux1 24 hr in Area 4	TMC	1105 = Any Alarm in Area 3	TMC			1233 = Area 3 is Force Armed	N
1043 = Aux1 24 hr in Area 5	TMC	1106 = Any Alarm in Area 4	TMC	1173 = Area Armed	N	1234 = Area 4 is Force Armed	N
1044 = Aux1 24 hr in Area 6	TMC	1107 = Any Alarm in Area 5	TMC	1174 = Area Disarmed	N	1235 = Area 5 is Force Armed	N
1045 = Aux1 24 hr in Area 7	TMC	1108 = Any Alarm in Area 6	TMC	1175 = Area 1 Arm State	N	1236 = Area 6 is Force Armed	N
1046 = Aux1 24 hr in Area 8	TMC	1109 = Any Alarm in Area 7	TMC	1176 = Area 2 Arm State	N	1237 = Area 7 is Force Armed	N
		1110 = Any Alarm in Area 8	TMC	1177 = Area 3 Arm State	N	1238 = Area 8 is Force Armed	N
1047 = Aux2 24 hr in Area 1	TMC			1178 = Area 4 Arm State	N		
1048 = Aux2 24 hr in Area 2	TMC	1111 = Any Keypad Code-Lockout	N	1179 = Area 5 Arm State	N	1239 = Zone Bypassed	N
1049 = Aux2 24 hr in Area 3	TMC	1112 = Keypad 01 Code-Lockout	N	1180 = Area 6 Arm State	N	1240 = All Zones Unbypassed	B
1050 = Aux2 24 hr in Area 4	TMC	1113 = Keypad 02 Code-Lockout	N	1181 = Area 7 Arm State	N	1241 = Burglar Zone Fault	N
1051 = Aux2 24 hr in Area 5	TMC	1114 = Keypad 03 Code-Lockout	N	1182 = Area 8 Arm State	N		
1052 = Aux2 24 hr in Area 6	TMC	1115 = Keypad 04 Code-Lockout	N			1242 = Burglar Status	N
1053 = Aux2 24 hr in Area 7	TMC	1116 = Keypad 05 Code-Lockout	N	1183 = Area 1 is Armed Away	N	1243 = Area 1 Burglar Status	N
1054 = Aux2 24 hr in Area 8	TMC	1117 = Keypad 06 Code-Lockout	N	1184 = Area 2 is Armed Away	N	1244 = Area 2 Burglar Status	N
		1118 = Keypad 07 Code-Lockout	N	1185 = Area 3 is Armed Away	N	1245 = Area 3 Burglar Status	N
1055 = CO Alarm in Area 1	TMC	1119 = Keypad 08 Code-Lockout	N	1186 = Area 4 is Armed Away	N	1246 = Area 4 Burglar Status	N
1056 = CO Alarm in Area 2	TMC	1120 = Keypad 09 Code-Lockout	N	1187 = Area 5 is Armed Away	N	1247 = Area 5 Burglar Status	N
1057 = CO Alarm in Area 3	TMC	1121 = Keypad 10 Code-Lockout	N	1188 = Area 6 is Armed Away	N	1248 = Area 6 Burglar Status	N
1058 = CO Alarm in Area 4	TMC	1122 = Keypad 11 Code-Lockout	N	1189 = Area 7 is Armed Away	N	1249 = Area 7 Burglar Status	N
1059 = CO Alarm in Area 5	TMC	1123 = Keypad 12 Code-Lockout	N	1190 = Area 8 is Armed Away	N	1250 = Area 8 Burglar Status	N
1060 = CO Alarm in Area 6	TMC	1124 = Keypad 13 Code-Lockout	N				
1061 = CO Alarm in Area 7	TMC	1125 = Keypad 14 Code-Lockout	N				
1062 = CO Alarm in Area 8	TMC	1126 = Keypad 15 Code-Lockout	N				
		1127 = Keypad 16 Code-Lockout	N				

Appendix A - Event Codes (cont.)

Event Description	Reset	Event Description	Reset	Event Description	Reset
1251 = Area 1 Chime Mode	N	1313 = Access Keypad 1	TM	2001 = Automation Control 1	TF
1252 = Area 2 Chime Mode	N	1314 = Access Keypad 2	TM	~	
1253 = Area 3 Chime Mode	N	1315 = Access Keypad 3	TM	2032 = Automation Control 32	TF
1254 = Area 4 Chime Mode	N	1316 = Access Keypad 4	TM		
1255 = Area 5 Chime Mode	N	1317 = Access Keypad 5	TM	2033 to 3000 = No Event/Not Used	N
1256 = Area 6 Chime Mode	N	1318 = Access Keypad 6	TM	3001 = F1 Key on Keypad 1	F
1257 = Area 7 Chime Mode	N	1319 = Access Keypad 7	TM	3002 = F2 Key on Keypad 1	F
1258 = Area 8 Chime Mode	N	1320 = Access Keypad 8	TM	3003 = F3 Key on Keypad 1	F
		1321 = Access Keypad 9	TM	3004 = F4 Key on Keypad 1	F
1259 = Area 1 Chime Alert	B	1322 = Access Keypad 10	TM	3005 = F5 Key on Keypad 1	F
1260 = Area 2 Chime Alert	B	1323 = Access Keypad 11	TM	3006 = F6 Key on Keypad 1	F
1261 = Area 3 Chime Alert	B	1324 = Access Keypad 12	TM	3007 to 3012 = F1 to F6 on KP 2	F
1262 = Area 4 Chime Alert	B	1325 = Access Keypad 13	TM	3013 to 3018 = F1 to F6 on KP 3	F
1263 = Area 5 Chime Alert	B	1326 = Access Keypad 14	TM	3019 to 3024 = F1 to F6 on KP 4	F
1264 = Area 6 Chime Alert	B	1327 = Access Keypad 15	TM	3025 to 3030 = F1 to F6 on KP 5	F
1265 = Area 7 Chime Alert	B	1328 = Access Keypad 16	TM	3031 to 3036 = F1 to F6 on KP 6	F
1266 = Area 8 Chime Alert	B	1329 = Access, Any Keypad	TM	3037 to 3042 = F1 to F6 on KP 7	F
				3043 to 3048 = F1 to F6 on KP 8	F
1267 = Entry Delay Active	N	1330 = Keypad Beep Area 1	N	3049 to 3054 = F1 to F6 on KP 9	F
1268 = Area 1 Entry Delay	N	1331 = Keypad Beep Area 2	N	3055 to 3060 = F1 to F6 on KP 10	F
1269 = Area 2 Entry Delay	N	1332 = Keypad Beep Area 3	N	3061 to 3066 = F1 to F6 on KP 11	F
1270 = Area 3 Entry Delay	N	1333 = Keypad Beep Area 4	N	3067 to 3072 = F1 to F6 on KP 12	F
1271 = Area 4 Entry Delay	N	1334 = Keypad Beep Area 5	N	3073 to 3078 = F1 to F6 on KP 13	F
1272 = Area 5 Entry Delay	N	1335 = Keypad Beep Area 6	N	3079 to 3084 = F1 to F6 on KP 14	F
1273 = Area 6 Entry Delay	N	1336 = Keypad Beep Area 7	N	3085 to 3090 = F1 to F6 on KP 15	F
1274 = Area 7 Entry Delay	N	1337 = Keypad Beep Area 8	N	3091 to 3096 = F1 to F6 on KP 16	F
1275 = Area 8 Entry Delay	N				
		1338 = Area 1 Exit Error	N	3097 = F1 Key, Any KP Is Pressed	B
1276 = Exit Delay Active	N	1339 = Area 2 Exit Error	N	3098 = F2 Key, Any KP Is Pressed	B
1277 = Area 1 Exit Delay	N	1340 = Area 3 Exit Error	N	3099 = F3 Key, Any KP Is Pressed	B
1278 = Area 2 Exit Delay	N	1341 = Area 4 Exit Error	N	3100 = F4 Key, Any KP Is Pressed	B
1279 = Area 3 Exit Delay	N	1342 = Area 5 Exit Error	N	3101 = F5 Key, Any KP Is Pressed	B
1280 = Area 4 Exit Delay	N	1343 = Area 6 Exit Error	N	3102 = F6 Key, Any KP Is Pressed	B
1281 = Area 5 Exit Delay	N	1344 = Area 7 Exit Error	N	3103 = Any KP Key Is Pressed	F
1282 = Area 6 Exit Delay	N	1345 = Area 8 Exit Error	N	3104 to 4000 = No Event	
1283 = Area 7 Exit Delay	N				
1284 = Area 8 Exit Delay	N	1346 = Audio Amplifier Status	TMC		
		1347 = Control Power Status	N	4001 to 4208 = Zone State 1 to 208	T
1285 - Area 1 Exit Delay Expires	N	1348 = Light	N	4209 to 5000 = No Event	
1286 - Area 2 Exit Delay Expires	N	1349 = Dark	N		
1287 - Area 3 Exit Delay Expires	N	1350 = Security (Day) Alert	TMC	5001 to 5208 = Bypass State 1 to 208	T
1288 - Area 4 Exit Delay Expires	N	1351 = Dialer Abort	B	5209 to 6000 = No Event	
1289 - Area 5 Exit Delay Expires	N	1352 = Dialer Cancel	B		
1290 - Area 6 Exit Delay Expires	N	1353 = Dialer Auto Test	B	6001 to 6208 = Alm Memory 1 to 208	T
1291 - Area 7 Exit Delay Expires	N	1354 = Local Programming Begin	N	6209 to 7000 = No Event	
1292 - Area 8 Exit Delay Expires	N	1355 = Local Programming End	B		
		1356 = Keyswitch Security Alert	TMC	7001 to 7208 = Output State 1 to 208	N
1293 = Automatic Closing	B	1357 = Event Log is 80% Full	N	7209 to 8000 = No Event	
1294 = Early Closing	B	1358 = Telephone Line Is Ringing	B		
1295 = Closing Time Extended	B	1359 = Telephone Line Seized Status	T	8001 thru 9999 = No Event	
1296 = Fail to Close	B	1360 = Telephone Line Hook Status	T		
1297 = Late to Close	B	1361 = Telephone Local Access	T		
1298 = Keyswitch Closing	B	1362 = Telephone Remote Access	T		
1299 = Duress	B	1363 = Remote Programming Start	N		
1300 = Exception Opening	B	1364 = Remote Programming Stop	B		
1301 = Early Opening	B	1365 = AC Fail Tbl - Power Supv Zn	N		
1302 = Fail to Open	B	1366 = Low Batt Tbl - Pwr Supv Zn	N		
1303 = Late to Open	B	1367 = System Start Up	B		
1304 = Keyswitch Opening	B	1368 = Control Low Volt Shutdown	N		
		1369 = RF Keyfob Button 1	B		
1305 = Area 1 Closing Ring Back	B	1370 = RF Keyfob Button 2	B		
1306 = Area 2 Closing Ring Back	B	1371 = RF Keyfob Button 3	B		
1307 = Area 3 Closing Ring Back	B	1372 = RF Keyfob Button 4	B		
1308 = Area 4 Closing Ring Back	B	1373 = RF Keyfob Button 5	B		
1309 = Area 5 Closing Ring Back	B	1374 = RF Keyfob Button 6	B		
1310 = Area 6 Closing Ring Back	B	1375 = RF Keyfob Button 7	B		
1311 = Area 7 Closing Ring Back	B	1376 = RF Keyfob Button 8	B		
1312 = Area 8 Closing Ring Back	B	1377 = Lost Serial Port Exp Tbl	N		
		1378 = Rule Triggered Voice Dial	B		
		1379 = Dialer Report Cleared	B		
		1380 = Central Station Kissoff	B		
		1381 = Transmitter Supervision Loss	N		
		1382 to 2000 = No Event/Not Used			

“Reset” Attribute

The letter(s) displayed in Reset column indicate what condition(s) it takes to clear an event once it has been activated.

For example: the letters TMC indicate the event will reset when the output timer ends, or when manually turned off, or when a valid user code is entered, whichever comes first.

NOTE:

The reset attributes are shown only for informational purposes. They are set by the factory and cannot be altered.

- N (0) Event follows the activation
- T (1) Event clears when output timer ends
- M (2) Event clears when manually turned off
- C (4) Event clears upon User Code entry
- A (16) Event clears upon Arming
- D (32) Event clears upon Disarming
- B (64) Event clears almost immediately “Blip”
- F (128) Event toggles with each activation

Appendix B - Two Way "Listen-in/Talk" Interface (optional)

Using a Two Way Interface board (ELK-EZ8TWI), up to 3 zones of listen-in can be provided. Each zone can have up to 4 microphones for a total of 12 listen-in points. Talk back is delivered through the speakers connected to the EZ8TWI. A two way session can be triggered by any number of zones when an alarm occurs. Two way can also be triggered during a Telephone Remote Control session. Instructions for the ELK-EZ8TWI are included with the interface.

OPERATION

1. Two way Listen-in must first be enabled from Menu 07-Global System Options. There are two required options. Option 31, "2Way Listen-in Enable" (No or Yes) and Option 32, "2Way Callback Time" (000 to 255 seconds). These options are defaulted to No and 000. In addition, you must also decide which zone(s) need to activate listen-in and set their "Enable Listen-in" programming option. Whenever a Central Station alarm message is transmitted for one of these zones, the dialer provides two methods for initiating a listen-in session.

1a. Hold the Line - After alarm kissoff the dialer will hold the phone line open for the amount of time programmed in Option 32, "2Way Callback Time". This can be from 001 to 255 seconds. During this time the Operator may pick up the line and press * 55 * to initiate an immediate two way session. If the control does not receive * 55 * during the time period it will hang up and release the phone line.

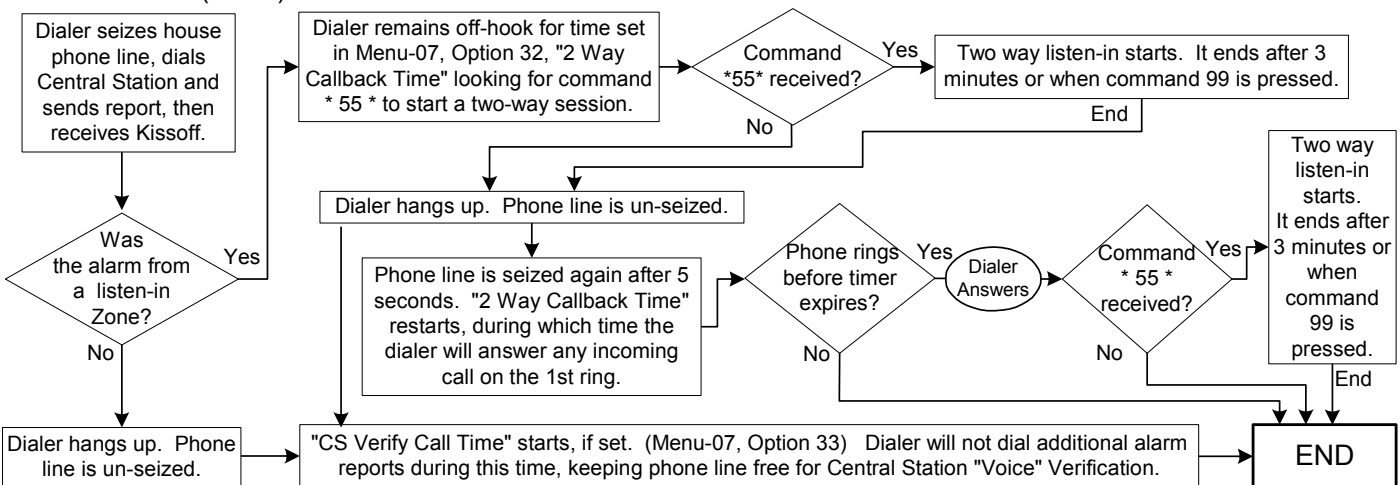
1b. Callback - Upon hangup the control uses the same time value (Option 32, "2Way Callback Time") to begin a callback time window. During this time window the control will answer any incoming call on the 1st ring, and allow the Operator to press * 55 * to initiate a two way session.

2. Once a two way session has begun, it will continue for 3 minutes before automatically disconnecting. To extend the two way session for 3 additional minutes you must press command 7.

STONE COMMANDS

- * 55 * BEGIN LISTEN-IN Used by Operator to begin a listen-in session.
- 1 TALK Talk through all speakers connected to Output 1.
- 2 LISTEN All 3 microphone zones are enabled initially. Use key 4 to change mics.
- 3 SENSITIVITY INCREASE Raise the microphone gain.
- 4 MICROPHONE SELECT 4+0 Selects ALL microphones, 4+1 Mic1 zone, 4+2 Mic2 zone, 4+3 Mic3 zone
- 5 [future use]
- 6 SENSITIVITY DECREASE Lowers the microphone gain.
- 7 EXTEND TIME for 3 minutes
- 8 - 8 TERMINATE SESSION and enable 1 ring callback answer for selected time.
- 9 - 9 TERMINATE SESSION without enabling callback answer mode.
- 0 [future use]
- * CANCEL last key-press (undo)
- # [future use]

Dialer Activated (Alarm)



Appendix C - SIA CP-01 Compliance

This Control complies with the SIA CP-01 Control Panel Standard - Features for False Alarm Reduction PROGRAMMABLE FEATURES, SHIPPING DEFAULTS, AND RECOMMENDED PROGRAMMING					
FEATURE	CP-01 Std. Par. #	REQUIREMENT	ALLOWABLE RANGE / PURPOSE	RECOMMENDED PROGRAMMING *	SHIPPING DEFAULT
Exit Delay Time 1 & Exit Delay Time 2	4.2.2.1	Required (programmable)	45 - 120 sec. (2 minutes) for full or auto arming. Shall not exceed 255 seconds	60 Seconds	60 Seconds
Silent on Exit (Disable Exit Progress Annunciation - ie: Silent Exit)	4.2.2.2	Allowed	Individual keypads may be disabled	All Audible Annunciators	All Audible Annunciators
Exit Time Restart	4.2.2.3	Required Option	Only one restart during arming.	Enabled	Enabled
Auto Interior Off (Auto "Stay" Arm on Unvacated Premises)	4.2.2.5	Required Option (except for remote arm)	Away arm changes to Stay Arm if there is no exit detected.	Enabled	Enabled
Entry Delay Time 1 & Entry Delay Time 2	4.2.3.1	Required (programmable)	30 sec. to at least 240 sec. (4 minutes) minimum **	At least 30 Seconds **	30 Seconds
Comm Abort Time (Abort Window) for Non-Fire Zones. 000 time = Disabled	4.2.5.1	Required Option	May be disabled - by zone or zone type	Enabled (all zones)	Enabled
Comm Abort Window Time - for Non-Fire Zones	4.2.5.1	Required (programmable)	15 sec. - 45 sec. **	At least 15 seconds	30 Seconds
Abort Annunciation ***	4.2.5.1.2	Required	Annunciate that no alarm was transmitted	Enabled	Enabled - No disable option
Cancel Annunciation ***	4.2.5.4.1	Required	Annunciate that a Cancel was transmitted	Enabled	Enabled - No disable option
Duress (Individual User Code Option)	4.2.6.1 & 4.2.6.2	Allowed Option	Cannot be a 1+ or derivative of another user. No duplicates with other user codes	Disabled	Disabled
Cross Zoned (Zone Option)	4.3.1	Required Option	Violation of a zone defined as Cross zone requires verification by another zone	Enabled and two (or more) zones programmed	Disabled
Cross Zone Verify Time	4.3.1	Allowed	Programmable from 1 to 255 seconds.	Time based on walk path in protected premises	30 Seconds
Single Alarm Lockout (Swinger Shutdown)	4.3.2	Required (programmable)	For all non-fire zones, shut down at 1 trip.	Enabled	Enabled
Fire Verified Zone Definitions (Fire Alarm Verification)	4.3.3	Required Option	Depends on Panel and Sensors	Enabled unless sensors can self-verify	Disabled
Call Waiting Cancel ***	4.5	Required	Call waiting cancel prefix code may be dialed on initial attempt ONLY.	Depends on User Phone Line	Blank - Not Programmed

* Programming at installation may be subordinate to other UL requirements for the intended application.

** Combined Entry Delay and Abort Window should not exceed 1 minute.

*** Feature is pre-defined in the panel software and may not be altered.

Appendix D - Regulatory Agency Statements

FCC Information: This control complies with Part 68 of the FCC rules. On the front nameplate of the main control board is a label that contains, among other information, the FCC certification number and ringer equivalence number (REN) for this equipment. If requested, this information must be provided to the telephone company. This equipment uses an RJ31X jack to connect to the telephone network. The REN is used to determine the quantity of devices that may be connected to the telephone line. Excessive REN's on the telephone line may result in the devices not ringing in response to an incoming call. Typically, the sum of REN's should not exceed five (5.0). To be certain of the number of devices that may be connected to a line (as determined by the total RENs) contact the local telephone company.

If this equipment should happen to cause harm to the telephone network, the telephone company will notify you in advance that temporary discontinuance of service may be required. But if advance notice isn't practical, the telephone company will notify the customer as soon as possible. Also, you will be advised of your right to file a complaint with the FCC if you believe it is necessary. The telephone company may make changes in its facilities, equipment, operations, or procedures that could affect the operation of the equipment. If this happens, the telephone company will provide advance notice in order for you to make the necessary modifications in order to maintain uninterrupted service. If trouble is experienced with this equipment, please contact the manufacturer for repair and warranty information. Elk Products, Inc. 3266 Hwy 70 W. Hildebran, NC 28637 828-397-4200 If the trouble is causing harm to the telephone network, the telephone company may request you remove the equipment from the network until the problem is resolved.

There are no user serviceable components in this product. All necessary repairs must be made by the manufacturer. Other repair methods may invalidate the FCC registration on this product. This equipment cannot be used on telephone company-provided coin service. Connection to Party Line Service is subject to state tariffs. This equipment is hearing-aid compatible.

This control complies with Part 15 of FCC Rules which are designed to provide reasonable protection against such interference in a residential installation. The FCC requires the following statement for your information:

This equipment generates and uses radio frequency energy and if not installed and used properly, that is, in strict accordance with the manufacturer's instructions, may cause interference to radio and television reception. It has been type tested. However, there is no guarantee that interference will not occur in a particular installation. If this equipment does cause interference to radio or television reception, which can be determined by turning the equipment off and on, the user is encouraged to try to correct the interference by one or more of the following measures:

- * If using an indoor antenna, have a quality outdoor antenna installed.
- * Reorient the receiving antenna until interference is induced or eliminated.
- * Move the receiver away from the security control.
- * Move the antenna leads away from any wire runs to the security control
- * Have the security control plugged into a different outlet so that it and the receiver are on different branch circuits.

If necessary, the user should consult the dealer or an experienced radio/television technician for additional suggestions. The user or installer may find a booklet titled "Interference Handbook" prepared by the Federal Communications Commission helpful: This booklet is available from the U.S. Government Printing Office, Washington, DC 20402. The user shall not make any changes or modifications to the equipment unless authorized by the Installation Instructions or Users Manual. Unauthorized changes or modifications could void the user's authority to operate the equipment.

Canada IC: 4353A-M1GCB REN 0.3B

This product meets the applicable Industry Canada technical specifications. The REN "Ringer Equivalence Number" is an indication of the maximum number of devices allowed to be connected to a telephone interface. The termination on an interface may consist of any combination of devices subject only to the requirement that the sum of the RENs of all the devices does not exceed five.

UNDERWRITERS LABORATORIES UL INFORMATION

When installing an M1EZ8 in compliance with Underwriters Laboratories, the following instructions must be observed.

- * Total combined continuous current draw from terminals +SMK, +VAUX, +12V KP, and connector J16 is 1 Amp (2.5 Amp in alarm).
- * For 4 hours of standby power, limit auxiliary power load to 1 Amp and use one (1) 8 Ah battery.
- * For 24 hours of standby power, limit auxiliary power load to 500 mA and use two (2) 8 Ah batteries in parallel.
- * Force Arming and Auto Arming shall not be enabled
- * For residential fire applications the indicating devices shall be a Wheelock 34T-12 or equivalent.
- * Initiating and indicating devices must be rated at 11.5 to 12.4 VDC.
- * For residential applications the minimum alarm cutoff time for the audible devices shall be 4 minutes.
- * Zone Swinger Shutdown shall not be enabled.
- * Remote Downloading shall not be used on UL Listed systems.
- * Communicator Dial Delay time shall be set to "0".
- * For residential burglary applications the maximum entry delay time shall be 45 seconds and the max. exit delay time shall be 60 seconds.
- * 24-hour communicator test transmission is required.
- * The silent keypad option shall not be enabled.

MINIMUM SYSTEM CONFIGURATIONS FOR UL INSTALLATIONS

(Residential Burglary, Residential Fire)

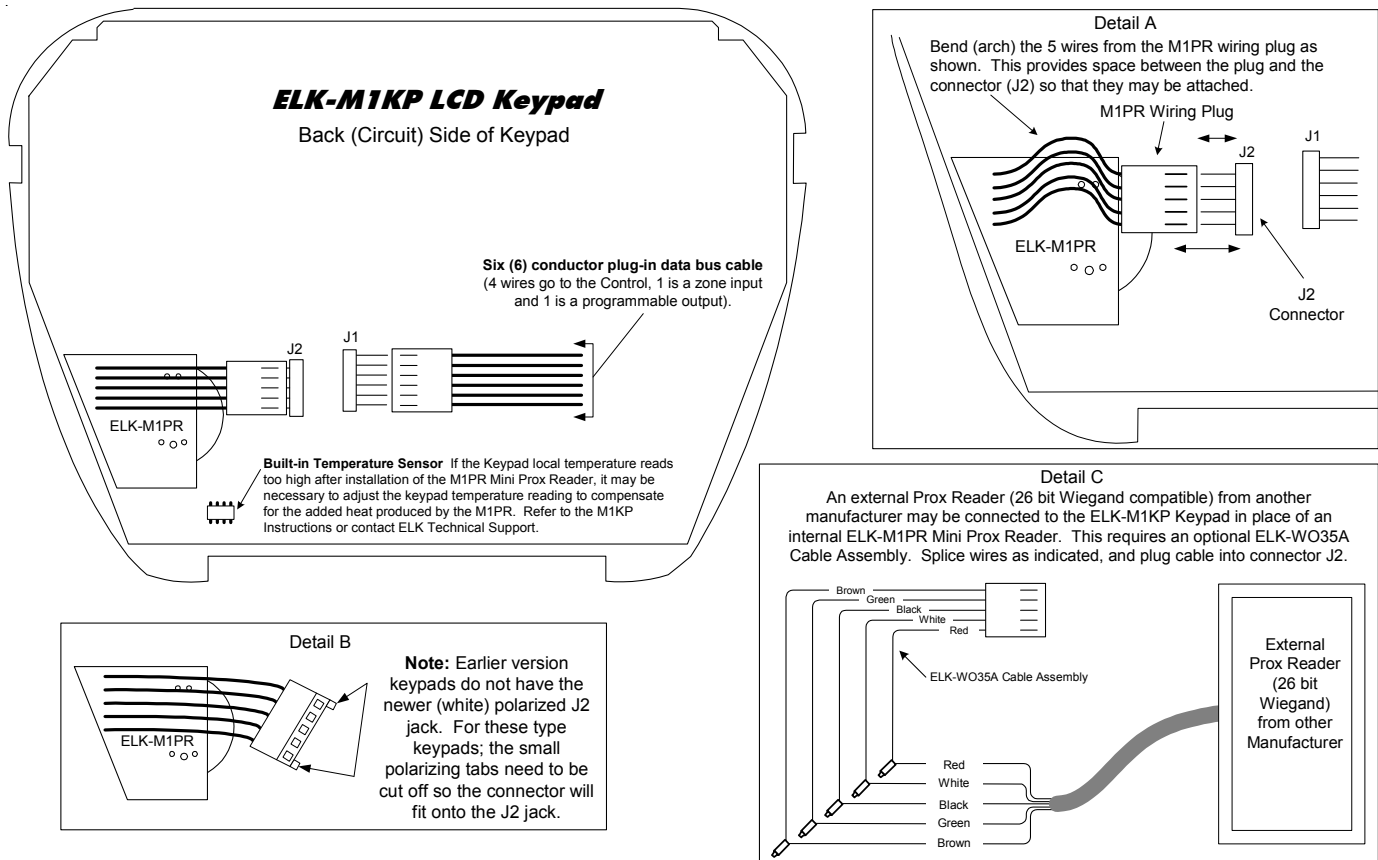
- * At least one compatible keypad is needed for all applications.
- * At least one bell fixture is required for all applications.

[Intentionally left blank]

[Intentionally left blank]

[Intentionally left blank]

Appendix E - Additional Keypad Information



Installing a ELK-M1PR internal prox reader or an external (26 bit Wiegand) prox reader

1. Turn Off the Control's Master Power Switch.
2. Remove M1KP Keypad from mounting plate, disconnect the 6 pin data bus cable, and place face down on a soft surface.
3. Locate the 1" mounting hole in the lower left corner and the 5 pin connector marked J2 to the right of the mounting hole.
4. Position the M1PR in the 1" mounting hole with its 5 wire female cable facing towards connector J2 on the circuit board.
5. Gently lift up on the 5 wire cable, then bend the white plug down to form a slight arch in the wires.
SEE DETAIL A. This will shorten the cable enough that it can be plugged into connector J2.
6. Reconnect the 6 pin data bus cable to connector J1 and install the keypad onto its mounting plate.
7. Turn On the Control's Master Power Switch and follow the instructions for enrolling cards or fobs

Enrolling Prox Cards and Fobs

Prox cards/fobs are enrolled into a User Code location using the same procedures used to add/change User Code PINs.

1. Press the **ELK** key, then press the **6** key (or scroll up) to display **6 - Change User Codes**. Press the **RIGHT** arrow key to select this menu. A Master user code (PIN) must be entered to gain access to this menu.
2. Enter the three digit number of the desired User Code location (001 to 099) or use the UP or DOWN arrow keys to scroll through the codes. Then select **CHG** by pressing the RIGHT arrow key.
3. The keypad will display any existing 4 or 6 digit code that is programmed for this user along with any programmed name.
4. Place a new (not previously enrolled) prox card/fob near the Keypad's right speaker grill below the Stay key. The read range is approximately 1/8" to 3/8". The Keypad should beep 3 times and display the card/fob 12 digit ID.
5. If the card/fob is rejected, a low error tone and **Code Not Authorized, Redo** will display. Causes for reject include: A. The card/fob has already been enrolled (duplicate codes are not allowed) OR B. The facility code in the card/fob does not match the reader facility code. A prox reader can only read cards/fobs with a matching facility code.
6. Once a prox card/fob is enrolled in a user code location, its capabilities are set by the User Code Options found in Installer Menu 02. The commonly used options are: Arm the Control, Disarm the Control, or Access event.

A keypad access event occurs when a valid prox card/fob is read at a keypad. Nothing will happen until this event is utilized in a Whenever/And/Then Rule from the Elk-RP software. An Access event can be used to create virtually any desired reaction. i.e., turn on an output, a light, close/open a relay, etc. The following rule example turns on Output 003 for 10 seconds when a valid prox card/fob (with Access Option enabled) is read at Keypad 01. This could be used to break power to a door strike.

**WHENEVER Keypad 01 Access is Activated
THEN Turn On Output 003 for 10 seconds.**

Appendix E - Additional Keypad Information (cont.)

KEYPAD INTERNAL TEMPERATURE SENSOR

Every standard ELK-M1KP has a built-in temperature sensor, which detects the surrounding ambient temperature. The sensor temperature may be displayed on the LCD, and read from another keypad or the telephone remote control. It may also be used with the Elk-RP Whenever/And/Then Rules to automatically cause an action or control something. i.e., a fan, pump, light, etc.

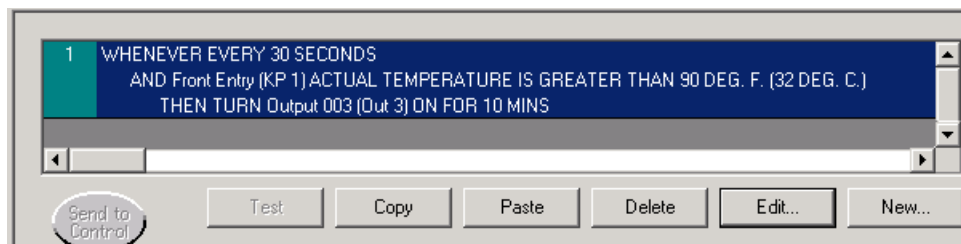
Viewing a Keypad temperature sensor reading

1. To view a keypad temperature sensor press the ELK key once (enter code if prompted), then press the RIGHT arrow to select the View/Control Automation menu.
2. Press the 5 key (or scroll up) to display: 4-Keypad Temperature, then press the RIGHT arrow key.
3. The first Keypad (Keypad 01 will be displayed along with its Name, Keypad Number, and Temperature.
4. Additional Keypad Temperature sensors (if any) may be displayed by entering the 2 digit Keypad number OR by scrolling with the UP or DOWN arrow keys. To exit from this menu press the * key.

Using a Keypad temperature reading in a Rule to create an action or output

The following is an example of an Elk-RP Whenever/And/Then Rule to automatically turn on Output 3 (controlling a Fan, etc.) for 10 minutes whenever the Keypad temperature reading exceeds 90 degrees.

1. Start RP and open an account. Click the Automation tab and the Rules tab followed by New.
2. Click Trigger, then point to Time Occurrence, then Every X Seconds, and then click to select. **
3. In the block beside the words Fixed Value, type in 30 and click OK.
4. Click And, followed by Temperature which is located near the bottom of the drop down list.
5. Highlight the Keypad temperature sensor (by name), click the Greater than button, and change the temperature selection number to 90. Make sure the button beside F is selected, and click OK.
6. Click Then, followed by Turn Output On/Off. Highlight Output 3 (use the scroll down arrow), make sure the button beside Turn on is selected, then select the box labeled For. Highlight the hrs:mins:secs window and enter 00:10:00 (10 minutes). Click OK. Double check everything and click Done.
7. The completed Rule should resemble the example below.



** Numerous triggers may be used for a temperature type rule, i.e., time occurrence, arming of the security system, opening of a zone, etc. However, the control does not allow a temperature reading to be used as a trigger. This helps prevent a false activation "runaway" that could occur simple because the temperature has fluctuated by a degree or fraction of a degree. Instead, the AND command is used to compare or "test" a temperature sensor reading against a target value, each time the trigger occurs. The target value is programmable and the compare options are "Equal to, Not equal to, Less than, and Greater than". The "Equal to" is not recommended as a compare option because it may be impossible for a temperature reading to be exactly at the target value when the trigger occurs.

TEMPERATURE READING ADJUSTMENT

If the Keypad internal temperature sensor appears to read higher or lower than other room thermostats/thermometers, it may be due to the Keypad mounting location, the room conditions, or the installation of an optional Mini Prox Reader (ELK-M1PR). The Keypad has an adjustment procedure which allows compensation for these conditions.

1. Press and hold the " * " key, followed by the F5 key . HOLD BOTH keys pressed for 5-10 seconds or until the LCD displays **Exit when done. F1 Set Addr.** (This is Keypad setup mode)
NOTE: This mode may also be accessed by removing power from the keypad (unplugging the data bus cable) and then applying power while holding any key pressed.
2. Press the F2 key and the LCD will display: **Temperature Degrees F = XX.X** (This is the current temperature)
3. Use the UP or DOWN arrow keys to adjust the current temperature display until it approximates the desired setting. Each press of the arrow keys changes the setting by approximately 3 tenths of a degree (00.3) It may not be possible to end up exactly on an even temperature setting.
4. Press the Exit key twice do return back to the regular operation mode.

EZ8 LIMITED WARRANTY

The ELK-EZ8 and its associated component products are warranted by Elk Products, Inc. ("Manufacturer") against defects in material and workmanship for a period of two (2) years from the date of manufacture. If product is found to be defective during the first 180 days, manufacturer may allow an over the counter exchange, subject to inspection and approval by one of it's representatives. Manufacturer's obligations under this Limited Warranty shall be limited to repairing or replacing, at its option, free of charge, during this warranty period, any product returned to Manufacturer freight prepaid. After the expiration of the warranty period, product will be repaired based on a fixed charge per device.

Manufacturer shall have no obligation under this Limited Warranty or otherwise if (1) the Product has been damaged by negligence, accident, mishandling, lightning or flood, or other Acts of God, (2) the Product has not been operated in accordance with its operating instructions, (3) the Product has been altered or repaired by anyone outside Manufacturer's authorized facilities (4) adaptations or accessories have been made or attached to the Product which, in Manufacturer's sole determination, have adversely affected its performance, safety or reliability.

If a Product should malfunction or fail during it's warranty period, contact ELK or one of its authorized distributors for a Return Authorization (RMA) number. Returned Products must include a complete description of the problem, along with the RA number clearly marked on outside of the package. Manufacturer will not be responsible for any unnecessary items included with any returned Product.

THIS WARRANTY IS THE EXCLUSIVE WARRANTY FOR ANY PRODUCT. MANUFACTURER SPECIFICALLY DISCLAIMS ANY AND ALL OTHER WARRANTIES OF ANY KIND, EXPRESS OR IMPLIED, INCLUDING ANY WARRANTIES OF FITNESS FOR A PARTICULAR PURPOSE OR OF MERCHANTABILITY. MANUFACTURER SHALL NOT BE LIABLE IN TORT, INCLUDING NEGLIGENCE OR STRICT LIABILITY, AND SHALL HAVE NO LIABILITY AT ALL FOR INJURY TO PERSONS OR PROPERTY. MANUFACTURER'S LIABILITY FOR FAILURE TO FULFILL ITS OBLIGATION UNDER THIS LIMITED WARRANTY OR ANY OTHER LIABILITY IN CONNECTION WITH A PRODUCT SHALL BE LIMITED TO THE AMOUNT OF THE PURCHASE PRICE RECEIVED BY MANUFACTURER FOR THE PRODUCT. THE REMEDIES STATED IN THIS LIMITED WARRANTY ARE THE CUSTOMER'S EXCLUSIVE REMEDIES AGAINST MANUFACTURER REGARDING ANY PRODUCT. UNDER NO CIRCUMSTANCES SHALL MANUFACTURER BE LIABLE FOR ANY INDIRECT, INCIDENTAL, SPECIAL OR CONSEQUENTIAL DAMAGES, INCLUDING LOST PROFITS AND REVENUES, INCONVENIENCE OR INTERRUPTIONS IN OPERATIONS, OR ANY OTHER COMMERCIAL OR ECONOMIC LOSSES OF ANY KIND. THESE LIMITATIONS AND DISCLAIMERS ARE NOT MADE BY MANUFACTURER WHERE PROHIBITED BY LAW. SOME STATES PROHIBIT LIMITATIONS OF WARRANTIES AND THE CUSTOMER MAY HAVE ADDITIONAL RIGHTS IN THOSE STATES.

Index

A

Alarm Abort 38
Alarm Cutoff Timers 31
Anti-Takeover 19
Area Partitioning 19
Area Reporting Codes 38, 39
Auto Stay Option 25
Automation control function 15
Automation Tasks 49
Auxiliary Power Connections 9

B

Battery Connection 9
Bus Module Enrollment 23

C

Canada IC 60
Central Station alarm verification 34
Communicator Setup Checklist 20
Counters 51
CrossZonePool 31
CrossZoneVerTime 33

D

Data Bus Device Types/Addresses 22
Daylight Savings Time 33
Defaulting the Control 34
Dialer Delay 31
Dialer Delay Time 39
Duress 22

E

Entering Installer Level Programming 20
Entry delay time 24
Event Codes - Appendix A 56
Exit delay time 24
Exit Error 24
Exit TimeRestart 25
Exit1TimeRestart 25

F

FCC Information 60
Force Arm 30
Four (4) State Zone 8

G

Global Sys Definitions 32, 33, 34, 35

I

Input/Output Expander Addresses 22
Installation and Wiring 7

Installer Program Code
13, 15, 19, 20, 23

K

Keypad Addresses 22
Keypad Definitions 27
Keypad Menus 15

L

Lighting 50
Listen-In 31

M

Menu 01 - Bus Module Enrollment 23
Menu 02 - User Code Authorities 23
Menu 03 - Area Definitions 25
Menu 04 - Keypad Definitions 26
Menu 05 - Zone Definitions 28
Menu 06 - Alarm Cutoff Timers 31
Menu 07 - Global System Definitions 32
Menu 08 - Telephone Account Setup 36
Menu 09 - Area Reporting Codes 38
Menu 10 - Zone Reporting Codes 40
Menu 11 - Sys Report Code Options &
Codes 41, 42
Menu 12 - User Report Codes 45
Multi-area (Partition) Operation 18

O

Operating The System 13
Output 1 Delay Turn-On 32
Outputs 10, 50

P

Periodic Trip 31
Prox Reader 64

Q

Quick Reference Programming Guide 21
Quickarm 24

R

Regulatory Agency Statements -
Appendix F 60
Ring/Hang/Answer option 34
Rings Until Auto Answer 35
RP Software 47
Rules 53

S

Serial Port Baud Rate 35
SIA CP-01 Compliance - Appendix E 59
Silent Alarm 29
SingleAlmLockout 35
Specifications, Features, and Benefits 4
Sunrise/Sunset 50
SwingerShutdown 31
Sys Rpt Code Options 42, 43

T

Tasks 49
Telephone Account Setup 36, 37
Telephone Line Connection 10
Temporary Code 22
Texts 51
Thermostats 51
Transformer Power Input (AC) 9
Two Way Listen-in 34

U

Underwriters Laboratories 60
Update/Verify Firmware 48, 49
User Code 13, 15
User Code Options 22

V

Verify Call Time 35

W

Whenever/And/Then 53
WirelessDefinitions 45
Wiring & Hookup Diagram 5
WrongCodeLockout 33

Z

Zone Definitions 29, 30
Zone Reporting Codes 40, 41
Zone Wiring Types 29

ELK
PRODUCTS, INC.

www.elkproducts.com

Printed in USA