

decora®

# Wall Switch PIR Occupancy Sensor

## APPLICATION

Leviton's Cat. Nos. PR150-1L and PR180-1L fit in standard wallboxes and are equipped with passive infrared (PIR) sensing technology. These versatile, top-quality devices turn lights ON when a person enters a room and OFF when they leave - automatically. They can be used in a variety of residential applications, including:

Bathrooms	Basements	Pantries
Garages	Utility/Laundry Rooms	Dining Rooms
Hallways	Closets	Kitchens

The PR150 installs in place of a single pole switch. The PR180 installs in place of a single pole or 3-way wall switch. Both PR150 and PR180 can be used with incandescent and fluorescent lighting (Rapid Start Magnetic ballast ONLY).

## OPERATION

The PR150-1L and PR180-1L use passive infrared (PIR) detection technology to monitor a room for occupancy. The devices automatically turn lights ON when a person enters a room and OFF when they leave. This saves energy, provides convenience and lowers electric bills. The PR150-1L and PR180-1L are suitable for indoor use only. The occupancy sensors are ideal for any room in the home that would benefit from automatic "hands-free" light control, such as in bathrooms, closets, laundry rooms and garages.

### Automatic ON/OFF Operation

The units turn lights ON automatically when motion is detected. When motion is no longer detected, lights remain ON for a selected time (from 15 sec. to 15 min.) then automatically switch off.

### Passive Infrared (PIR)

Infrared occupancy sensors are passive devices designed to detect the movement of heat-emitting bodies. They are installed to monitor areas where there are no physical obstructions to block the sensor's field of view.

**How It Works:** People naturally emit a small amount of infrared heat. As a person passes through the field of view, the sensor detects the motion as a change in the infrared background and responds by switching ON area lights. After the field of view is unoccupied for a user defined time, the sensor will automatically turn OFF the lights.



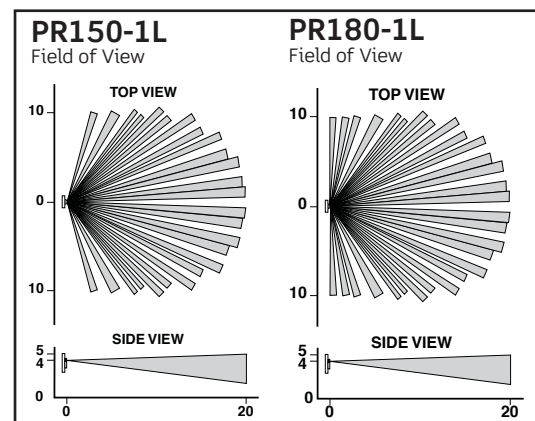
PR150-1L  
PR180-1L

## SINGLE POLE OR 3-WAY CONTROL

The PR150-1L provides single pole control only. The PR180-1L offers single pole or 3-way control. This allows control of one light from two locations, which is ideal for stairways, hallways and rooms with two entrances.

## FIELD OF VIEW

The PR150 provides a 150° field of view and 350 sq. ft. of coverage. The PR180 provides a 180° field of view and 400 sq. ft. of coverage. Both are perfect for use in a variety of residential and light commercial applications.



Decora® Wall Switch PIR Occupancy Sensors

## PRODUCT SPECIFICATIONS FOR PR150-1L/PR180-1L



### ADJUSTMENT OPTIONS (CAT. NOS. PR150-1L and PR180-1L)

The units are equipped with sensitivity and time adjustment controls, which enable the user to control the light and time settings. These adjustment options will customize the performance to meet the needs of a specific installation. To adjust, remove the wallplate and use a small screwdriver to turn the adjustment wheels.

#### Light level adjustment:

- Turning the control toward the + sign adjusts lights to turn ON in bright conditions
- Turning the control toward the - sign adjusts lights to turn ON in darker conditions

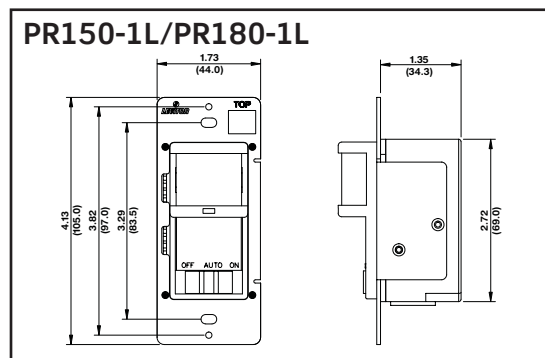
#### Time selection:

- Adjust the time selector to the desired length of time the lights are to remain ON. Lights will remain ON from 15 seconds to 15 minutes after the room is vacated

### SPECIFICATIONS

The devices listed herein (PR150-1L and PR180-1L) shall be Decora® passive infrared (PIR) occupancy sensors capable of detecting infrared emissions from human presence and responding by turning ON incandescent and Rapid Start Magnetic fluorescent ballast lighting loads. If these units do not detect movement after a preset time period, they will respond by switching their assigned loads OFF. Manual override permits normal ON/OFF operation.

Cat. No. PR150-1L shall be capable of controlling the load in a single pole application. Cat. No. PR180-1L shall be capable of controlling the load in single pole or 3-way applications.

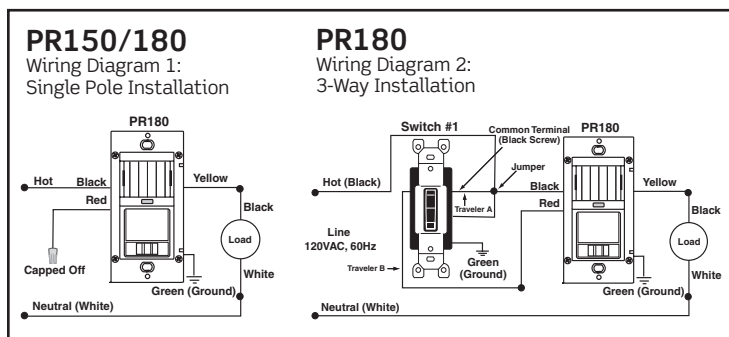


### FEATURES AND BENEFITS

- PR150 with 150° field of view and 350 sq. ft. of coverage is perfect for use in residential applications
- PR180 with 180° field of view and 400 sq. ft. of coverage is perfect for use in large rooms, home offices and a variety of light commercial and residential applications
- Ambient light override prevents these devices from switching lights ON when there is ample natural sunlight
- Manual override is available for use as a standard ON/OFF switch
- Adjustable delayed OFF time interval (15 seconds to 15 minutes)
- Fits in standard wallbox
- Streamlined popular Decora® styling complements any interior and is compatible with other Decora® devices
- Compatible with Decora Plus™ screwless wallplates and Decora wallplates

### INSTALLATION

Occupancy Sensors should be positioned at least 6 feet away from HVAC registers. Obstructions such as furniture, windows, glass shower doors, etc. may prevent the sensor from detecting motion.



PHYSICAL SPECIFICATIONS	PR150-1L and PR180-1L
Operating Temperature Range	32°F to 122°F
Storage Temperature Range	14°F to 185°F
Relative Humidity	20% to 90% non-condensing
Agency Approval	UL Listed (File #E-118904) CSA Certified (File #LR-91148M)

ELECTRICAL REQUIREMENTS	
Line Voltage	120VAC
Operating Frequency	60HZ
Load Rating	Incandescent: 500W @ 120V Rapid Start Magnetic Fluorescent Ballasts Only: 400VA @ 120V

ORDERING INFORMATION		
CAT. NO.	DESCRIPTION	COLORS
PR150-1L	Decora Wall Switch PIR Occupancy Sensor, single pole, 150° field of view, 350 sq. ft.	-W (White) -I (Ivory) -A (Almond)
PR180-1L	Decora Wall Switch PIR Occupancy Sensor, single pole or 3-way, 180° field of view, 400 sq. ft.	-W (White) -I (Ivory) -A (Almond)

**Warranty Information:** Limited Five-Year Warranty

#### Leviton Manufacturing Co., Inc.

59-25 Little Neck Parkway, Little Neck, NY 11362-2591  
 Telephone: 1-800-323-8920 • FAX: 1-800-832-9538 • Tech Line (8:30AM-7:30PM E.S.T. Monday-Friday): 1-800-824-3005

#### Leviton Manufacturing of Canada, Ltd.

165 Hymus Boulevard, Pointe Claire, Quebec H9R 1E9 • Telephone: 1-800-469-7890 • FAX: 1-800-563-1853

#### Leviton S. de R.L. de C.V.

Lago Tana 43, Mexico DF, Mexico CP 11290 • Tel. (+52) 55-5082-1040 • FAX: (+52) 5386-1797 • www.leviton.com.mx

Visit our Website at: [www.leviton.com](http://www.leviton.com)

© 2007 Leviton Manufacturing Co., Inc. All rights reserved. Subject to change without notice.



G-7101A/J7-tp