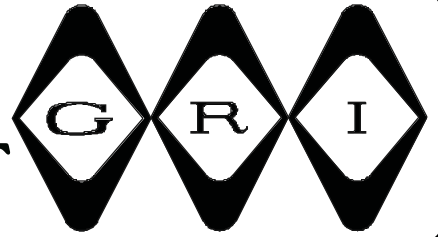



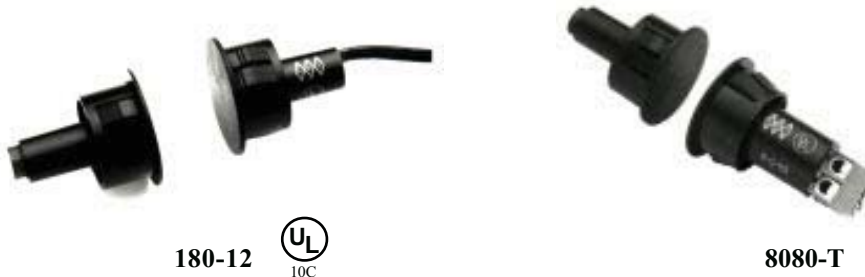
# RECESSED 3/4" & 1" STEEL DOOR SWITCH SET



## 180/184/8080-T SERIES



- ◆ Recessed Magnetic Contact
- ◆ 12" #22AWG Leads or Screw Terminals
- ◆ Longer Leads, Zip Cord or Jacketed Cable Upon Request
  - ◆ Built-in E.O.L. Resistors and Diodes Upon Request
    - ◆ Supervisory Loops Upon Request
- ◆ Switches and Magnets Available Separately
  - ◆ Colors: White, Brown, Gray, Black
  - ◆  Indicates U.L. 10C Fire Rated





180-12



8080-T

### PART NUMBERS:

		<b>Closed Loop</b>		<b>Open Loop</b>	<b>SPDT</b>	<b>DPDT</b>
Standard Gap Up To 1/2" On Steel*	3/4" Dia.	180-12		185-12	190-12	195-12
	1" Dia.	184-12		189-12	194-12	199-12
	3/4" Dia.	8080-T	8585-T			
	1" Dia.	8484-T	8989-T			
Wide Gap 3/4" + On Steel*	3/4" Dia.	180-12WG		185-12WG	190-12WG	195-12WG
	1" Dia.	184-12WG		189-12WG	194-12WG	199-12WG
	3/4" Dia.	8080-TWG	8585-TWG			
	1" Dia.	8484-TWG	8989-TWG			

\*Gaps will increase substantially for installations other than steel

\*Gaps up to one inch on steel when paired with MC-180 Door Channel Magnet

7/8" Diameter Also Available. P/N 81-12 and 81-12WG. White or Black only. Please call factory.

### WARRANTY:

Lifetime warranty against workmanship, material and factory defects.

GEORGE RISK INDUSTRIES, INC.  
G.R.I. PLAZA  
KIMBALL, NE 69145



MADE IN U.S.A.

TOLL-FREE 1-800-445-5218

TOLL-FREE 1-800-523-1227

(308) 235-4645

FAX (308) 235-3561

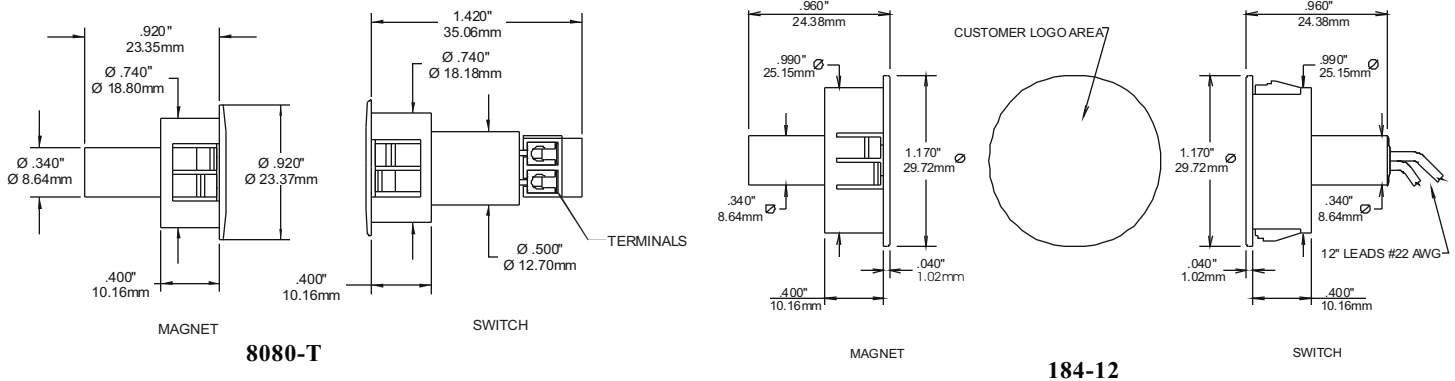
E-MAIL: [grisales@megavision.com](mailto:grisales@megavision.com)

WEB SITE: [www.grisk.com](http://www.grisk.com)



# RECESSED 3/4" & 1" STEEL DOOR SWITCH SET

**INSTALLATION APPLICATIONS:** The G.R.I. 180-12 is the industry standard 3/4" diameter recessed steel door switch set with 12" leads. The innovative G.R.I. 8080-T series is a 3/4" diameter recessed switch set designed for residential, commercial and industrial steel doors and frames. The shorter length terminals makes the installation of the set quick and simple.



**GRI products meet or exceed these minimum general specifications:**

PART NUMBER	LOOP TYPE	ELECTRICAL CONFIG.	REED FORM	MAXIMUM INITIAL CONTACT RESISTANCE (Ω)	MAXIMUM CONTACT RATING (W)	MAXIMUM SWITCHING VOLTAGE (VDC/VAC)	MAXIMUM SWITCHING CURRENT (A)
180-12	Closed	N/O	A	.150	10	200/140	.400
180-12WG	Closed	N/O	A	.150	10	200/140	.400
184-12	Closed	N/O	A	.150	10	200/140	.400
184-12WG	Closed	N/O	A	.150	10	200/140	.400
8080-T	Closed	N/O	A	.150	10	160/110	.400
8080-TWG	Closed	N/O	A	.150	10	160/110	.400
8484-T	Closed	N/O	A	.150	10	160/110	.400
8484-TWG	Closed	N/O	A	.150	10	160/110	.400
185-12	Open	N/C	B	.140	5	175VDC	.250
185-12WG	Open	N/C	B	.140	5	175VDC	.250
189-12	Open	N/C	B	.140	5	175VDC	.250
189-12WG	Open	N/C	B	.140	5	175VDC	.250
8585-T	Open	N/C	B	.140	5	175VDC	.250
8585-TWG	Open	N/C	B	.140	5	175VDC	.250
8989-T	Open	N/C	B	.140	5	175VDC	.250
8989-TWG	Open	N/C	B	.140	5	175VDC	.250
190-12	Open/Closed	SPDT	C	.140	5	175VDC	.250
190-12WG	Open/Closed	SPDT	C	.140	5	175VDC	.250
194-12	Open/Closed	SPDT	C	.140	5	175VDC	.250
194-12WG	Open/Closed	SPDT	C	.140	5	175VDC	.250
195-12		DPDT	C X 2	.140	5	175VDC	.250
195-12WG		DPDT	C X 2	.140	5	175VDC	.250
199-12		DPDT	C X 2	.140	5	175VDC	.250
199-12WG		DPDT	C X 2	.140	5	175VDC	.250

**CONTACT YOUR G.R.I. DISTRIBUTOR OR CALL:**

GEORGE RISK INDUSTRIES, INC.  
G.R.I. PLAZA  
KIMBALL, NE 69145



MADE IN U.S.A.

TOLL-FREE 1-800-445-5218  
TOLL-FREE 1-800-523-1227  
(308) 235-4645  
FAX (308) 235-3561  
E-MAIL: [grisales@megavision.com](mailto:grisales@megavision.com)  
WEB SITE: [www.grisk.com](http://www.grisk.com)