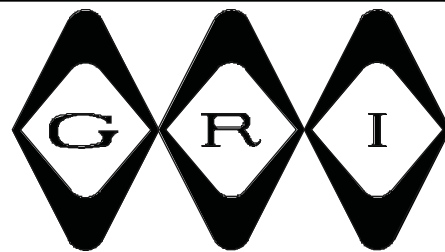


# CHILD RESISTANT POOL ALARM ETL LISTED



- ◆ ETL Tested To Be In Compliance With Standard for Safety, UL 2017, and Florida Building Commission Code Requirements, Per ETL Listing Number 3035022
- ◆ Exceeds Operational Requirements of Model Barrier Codes
- ◆ Microprocessor Controlled
- ◆ Monitors Entry to Pool and Spa Areas
- ◆ Instant On Or 7 Second Delay Models Available
- ◆ Surface or Flush Mount Models
- ◆ 7 Second Adult Shunt. Changeable to 15 Seconds.
- ◆ Built-in Back-up Battery Capable
- ◆ Must Be Hard Wired To Remote 12 Volt maximum 500 mA Source or To Plug In Power Source.  
Applied Voltage Must Not Exceed 15 VDC. Battery for Backup Only.



**289CP-4**

The new GRI DOOR ALERT/POOL ALARM was designed as an aid for prevention of an unattended access to a pool/spa area by a small child. Monitoring all doors or windows with CLOSED LOOP magnetic reed switches, the DOOR ALERT/POOL ALARM will sound an alarm should anyone too small to manage the adult pass thru feature attempt access to the pool/spa area. For maximum protection all moveable openings should be protected in such a manner by the GRI DOOR ALERT/POOL ALARM.

The 289CP-1, 289CP-2, 289CP-3 and 289CP-4 can be operated with an on-board 9 volt battery with a 12 volt externally supplied DC power source, in which case the battery will perform a back-up function should the externally supplied source fail for any reason. Both power sources have been designed to maintain a minimum sound pressure level of 85db at 10'. Should the battery voltage drop below 7 volts while in backup mode, a low battery mode will be initiated and the unit will sound 2 beeps approximately every 3 seconds for one to two weeks prior to total battery failure. Battery must be replaced at this time.

It is suggested that some type of surge protection, such as the GRI CS-1 Current Sensor, be used between the power supply and all GRI Pool Alarms using external power.

NOTE: Unit will function at minimum 5VDC at a very limited sounder volume. This power level is considered total battery failure.

## PART NUMBERS

289CP-1  
289CP-2  
289CP-3  
289CP-4

## DESCRIPTION

Recessed DoorAlert/Pool Alarm 7 Second Delay - Closed Loop  
Surface Mount Door Alert/Pool Alarm 7 Second Delay - Closed Loop  
Recessed Door Alert/Pool Alarm - Instant On - Closed Loop  
Surface Mount Door Alert/Pool Alarm - Instant On - Closed Loop

## WARRANTY:

One year warranty against workmanship, material and factory defects.

GEORGE RISK INDUSTRIES, INC.  
GRI PLAZA  
KIMBALL, NE 69145



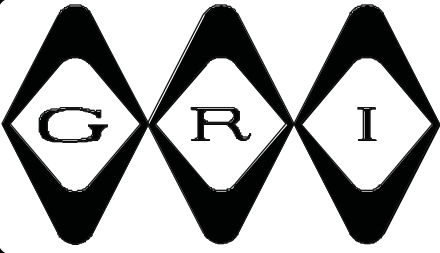
MADE IN U.S.A.

TOLL-FREE 1-800-445-5218  
TOLL-FREE 1-800-523-1227  
(308) 235-4645

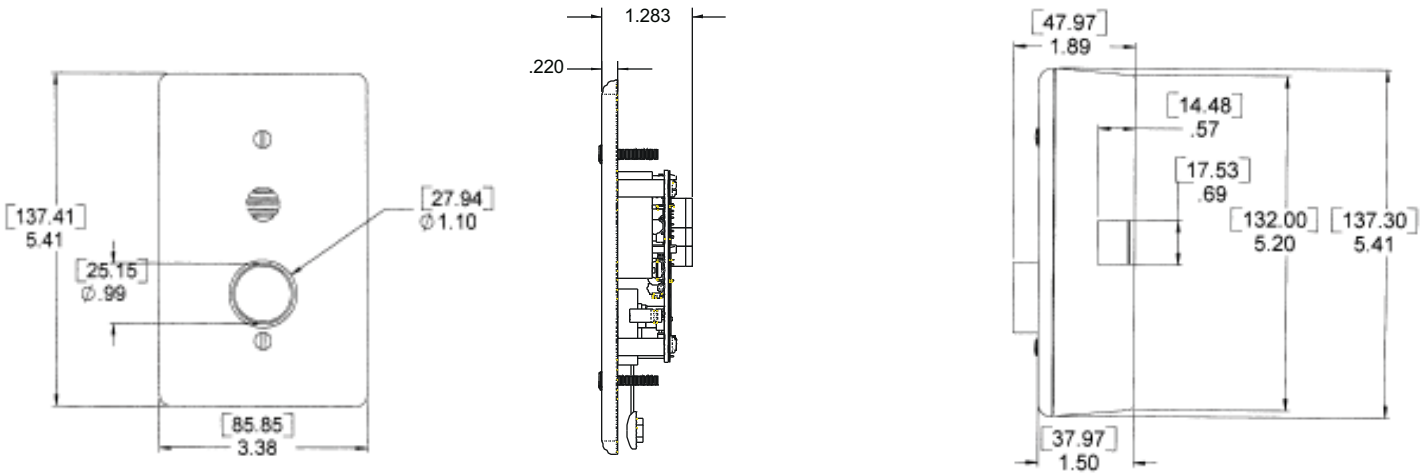
FAX (308) 235-3561

E-MAIL: [grisales@megavision.com](mailto:grisales@megavision.com)

WEB SITE: [www.grisk.com](http://www.grisk.com)



# CHILD RESISTANT POOL ALARM ETL LISTED



## CHILD RESISTANT POOL ALARM ACCESSORIES

### Remote Shunt Button:

If two doors are to be monitored by a G.R.I. 289CP Series Pool Alarm, a remote shunt button, Model No. 184CP-3 or 184CP-6 can be added. The Pool Alarm is mounted next to one door and the remote button by the other. The remote shunt button will function the same as the button on the 289CP Series Pool Alarm. The shunt button is recessed and has a child-resistant guard ring.

### Remote Sounder and Shunt Buttons:

This is a combination unit that provides both a remote sounder and a shunt button. The 184CP-4 and 184CP-8 can be added when needed for additional windows and doors. This helps to distribute the piercing sound of an alarm through more parts of the house while also offering the pass through and silence features at those exits. This shunt button also is recessed and has a child resistant protective guard ring.



**Surface Mount  
Button & Sounder**



**Surface Mount  
Shunt Button  
Only**

### PART NUMBERS:

184CP-3	Recessed Mount Button Only, Child Resistant
184CP-4	Recessed Sounder and Button, Child Resistant
184CP-6	Surface Mount Button Only, Child Resistant
184CP-8	Surface Mount Sounder and Button, Child Resistant
8065	AC/DC 12 VDC Regulated Adaptor

### WARRANTY:

One year warranty against workmanship, material and factory defects.

GEORGE RISK INDUSTRIES, INC.  
G.R.I. PLAZA  
KIMBALL, NE 69145



MADE IN U.S.A.

TOLL-FREE 1-800-445-5218 • 1-800-523-1227  
(308) 235-4645 • FAX (308) 235-3561  
E-MAIL: [grisales@megavision.com](mailto:grisales@megavision.com)  
WEB SITE: [www.grisk.com](http://www.grisk.com)