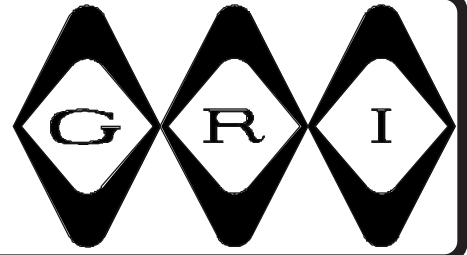


GATE MOUNT POOL ALARM



CLOSED LOOP

- ◆ Microprocessor Controlled
- ◆ Monitors Entry to Pool and Spa Areas
- ◆ Weather Resistant For Outdoor Use
- ◆ Instant On or 7 Second Delay Models Available
- ◆ Low Battery Indicator
- ◆ Closed Loop 410P Switch Set With 5' 2-Conductor Cable
- ◆ Color: Grey



The new GRI GATE MOUNT POOL ALARM was designed as an aid for prevention of an unattended access to a pool/spa area by a small child. Monitoring all gates with CLOSED LOOP magnetic reed switches, the GATE MOUNT POOL ALARM will sound an alarm should anyone too small to manage the adult pass thru feature attempt access to the pool/spa area. For maximum protection all moveable openings should be protected in such a manner by the GRI GATE MOUNT POOL ALARM.

The GT10-2 and GT10-4 can be operated independently with an on-board 9 volt battery or with a 12 volt externally supplied DC power source. Both power sources have been designed to maintain a maximum sound pressure level of 85db at 10'. Estimated battery life is approximately 180 days based on no alarm soundings during that time lapse. Should the battery voltage drop below 7 volts, a low battery mode will be initiated and the unit will sound 3 beeps approximately every 30 minutes for one to two weeks prior to total battery failure. Battery must be replaced at this time, and the cause of power failure determined and restored.

NOTE: Unit will function at minimum 5VDC at a very limited sounder volume. This power level is considered total battery failure.

CLEANING: Periodic cleaning of sounder and box are required to maintain sound level.

CAUTION: To prevent a memory failure or circuit damage, external power source not to exceed 15 VDC.

WARNING: Environmental conditons, such as wind, may affect the sound level.

PART NUMBERS

GT10-2

GT10-4

DESCRIPTION

Gate Mount Pool Alarm - 7 Second Delay - Closed Loop

Gate Mount Pool Alarm - Instant On - Closed Loop

WARNING: THIS IS NOT A LIFE SAVING DEVICE.

GEORGERISK INDUSTRIES, INC.
GRI PLAZA
KIMBALL, NE 69145



MADE IN U.S.A.

TOLL-FREE 1-800-445-5218

TOLL-FREE 1-800-523-1227

(308) 235-4645

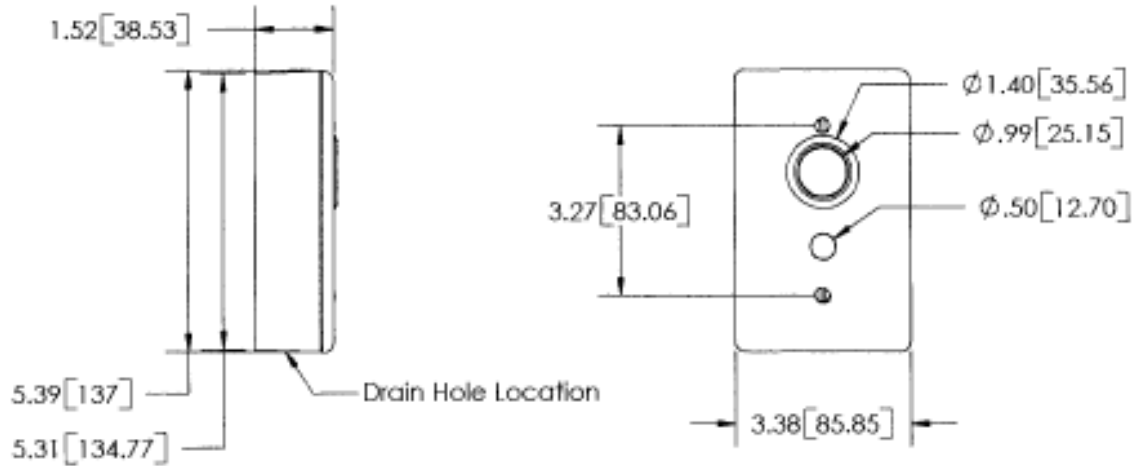
FAX (308) 235-3561

E-MAIL: grisales@megavision.com

WEB SITE: www.grisk.com



GATE MOUNT POOL ALARM



GT10-2/GT10-4

INSTALLATION INSTRUCTIONS:

The GRI GATE MOUNT POOL ALARM mounts easily to the fence by any gate which allows access to the pool/spa area. Using a CLOSED LOOP magnetic reed switch, the unit will detect and announce an open access by sounding a loud continuous alarm. Two timed options are offered: A maximum seven (7) second delay mode prior to sounding upon gate opening, or an instant alarm sounding upon activation. Both versions incorporate a built-in pass thru feature shunt button to allow adult access without alarm sounding. Although the GATE MOUNT POOL ALARM cannot be turned off, this feature will simply deactivate the alarm function for a maximum of fifteen (15) seconds. During this time span the adult must exit and close the gate before alarm sounds. Once the alarm is sounding it can not be silenced by simply closing the gate. The shunt button must also be depressed. The sounder cannot be disabled by holding down the shunt button.

WARRANTY:

One year warranty against workmanship, material and factory defects.

GEORGE RISK INDUSTRIES, INC.
GRI PLAZA
KIMBALL, NE 69145



MADE IN U.S.A.

TOLL-FREE 1-800-445-5218
TOLL-FREE 1-800-523-1227
(308) 235-4645
FAX (308) 235-3561
E-MAIL: grisales@megavision.com
WEB SITE: www.grisk.com