

PUSH BUTTON/ PLUNGER



PB/PBF SERIES

- ◆ Recessed Magnetic Contact
- ◆ PB is 9/16" Press Fit ◆ PBF is 3/4" x 1 1/2" With Screw Down Flange
 - ◆ 12" #22AWG Leads or Screw Terminals
 - ◆ Longer Leads, Zip Cord or Jacketed Cable Upon Request
- ◆ Hermetically Sealed ◆ Plated Contacts Resist Sticking or Freezing
 - ◆ Spacers and Mounting Hardware Included
- ◆ Built-in E.O.L Resistors and Diodes Upon Request
- ◆ Colors: White, Brown ◆ Lifetime Warranty



PB-100



PBF-100



PB-100T



PBF-100T

PART NUMBERS:

	Closed Loop	Open Loop	SPDT
Without Flange	PB-100 PB-100T	PB-101 PB-101T	PB-102
With Flange	PBF-100 PBF-100T	PBF-101 PBF-101T	PBF-102
Travel:	Total .270 Pre Travel .090 ± .040		

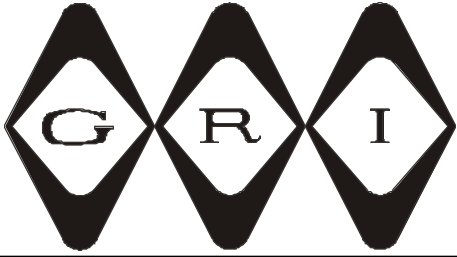
GEORGERISK INDUSTRIES, INC.
GRI. PLAZA
KIMBALL, NE 69145



MADE IN U.S.A.

TOLL-FREE 1-800-445-5218
TOLL-FREE 1-800-523-1227
(308) 235-4645
FAX (308) 235-3561

E-MAIL: grisales@megavision.com
WEB SITE: www.grisk.com

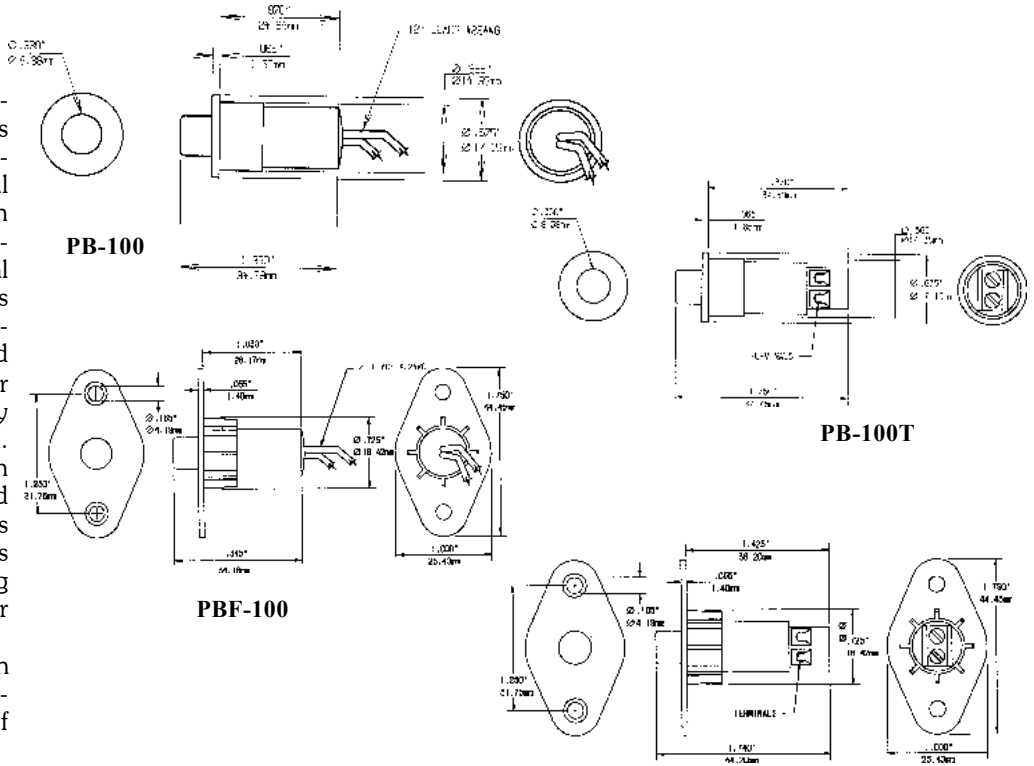


PUSH BUTTON/ PLUNGER

INSTALLATION APPLICATIONS:

The Push Button or Plunger actuated PB series was developed as a direct replacement of an existing and problematic mechanical type contact. The PBF flange push button can be installed without re-drilling or redesigning the original installation. The sealed contacts of the reed switch insure a long service life. Plunger actuated reed switches have become so popular on new installations that many variations are now being produced. The PB-100 is a press fit design and eliminates the screw mounted flange. A terminal connection is offered on most models and this option can be added by including a T at the end of the part number — for example PB-100T.

Important Note: G.R.I.'s push button contacts are not recommended for the bottom track of windows or doors.



GRI products meet or exceed these minimum general specifications:

PART NUMBER	LOOP TYPE	ELECTRICAL CONFIG.	REED FORM	MAXIMUM INITIAL CONTACT RESISTANCE (Ω)	MAXIMUM CONTACT RATING (W)	MAXIMUM SWITCHING VOLTAGE (VDC/VAC)	MAXIMUM SWITCHING CURRENT (A)
PB-100	Closed	N/O	A	.150	10	200/140	.500
PB-100T	Closed	N/O	A	.150	10	200/140	.500
PBF-100	Closed	N/O	A	.150	10	200/140	.500
PBF-100T	Closed	N/O	A	.150	10	200/140	.500
PB-101	Open	N/C	B	.140	5	175VDC	.250
PB-101T	Open	N/C	B	.140	5	175VDC	.250
PBF-101	Open	N/C	B	.140	5	175VDC	.250
PBF-101T	Open	N/C	B	.140	5	175VDC	.250
PB-102	Open/Closed	SPDT	C	.140	5	175VDC	.250
PBF-102	Open/Closed	SPDT	C	.140	5	175VDC	.250

WARRANTY:

Lifetime warranty against workmanship, material and factory defects.

CONTACT YOUR G.R.I. DISTRIBUTOR OR CALL:

GEORGE RISK INDUSTRIES, INC.
G.R.I. PLAZA
KIMBALL, NE 69145



MADE IN U.S.A.

TOLL-FREE 1-800-445-5218
TOLL-FREE 1-800-523-1227
(308) 235-4645
FAX (308) 235-3561

E-MAIL: grisales@megavision.com
WEB SITE: www.grisk.com