

Occupancy Sensor Infrared Wideview Sensor

OSWWV-IOW

The OSWWV-IOW mounts quickly to a wall or the ceiling using a supplied bracket. The sensor features excellent range and sensitivity to motion. Self-adjusting circuitry makes the sensor "install & forget".

THE OSWWV-I OCCUPANCY SENSOR

- PASSIVE INFRARED SENSING (HEAT)
- HIGH MOTION SENSITIVITY
- "TWIST-AND-LOCK BRACKET" INCLUDED
- 110° VIEW, 2,500 SQ. FT. COVERAGE
- SELF-ADJUSTING
- 24VDC CLASS 2 LOW VOLTAGE WIRING
- PHOTOCELL CONTROL AMBIENT LIGHT OVERRIDE

GENERAL OPERATION

The OSWWV-IOW is a low-voltage infrared occupancy sensor that works with the OSPxx Series power pack to automatically control lighting. By sensing moving infrared heat sources (people, forklifts, or other heat-emitting objects), the sensor automatically turns the lights on during occupancy, maintains lights-on and, after a time delay, turns the lights off when the space is vacated.

The sensor uses a wide view (110 degrees) lens which detects large body motions over 50 ft. away. Smaller motions such as hand movement can be detected up to 34 feet. An internal photocell allows the user to set the daylight override level.

The mounting base, provided with the sensor, allows quick and easy mounting in corners, on walls or on ceilings using the "twist-and-lock" feature.

TYPICAL APPLICATIONS

Work areas, storage areas, storerooms, indoor garages, rooms with pendant fixtures are ideal. Use this sensor with rooms with overhead fans. Multiple detectors can be controlled by OSPxx Power Packs.

FEATURES

Fast, Simple Installation: Easy base mount, three wire connection (low voltage) and twist-lock sensor attachment.

Flexible Base Mounting: Supplied twist-and-lock base mount permits fast alignment. Supplied cover hides mounting hardware and wires. Can be used with raceways for hard surface installing. Wall or ceiling mount.

Wide Coverage: Over 2,500 sq. ft. of coverage at 8 foot ceiling height with 110 degree aperture.



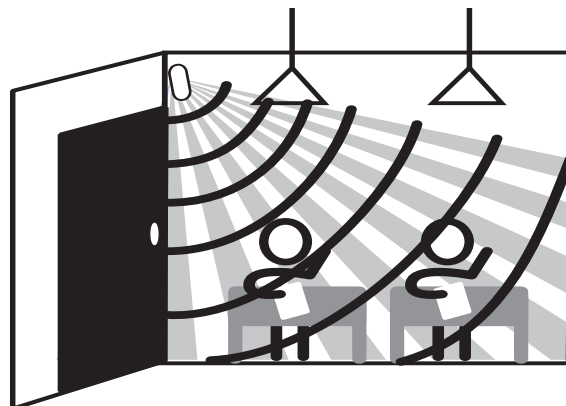
Self Adjusting Timer: Timer is factory set at 10 minutes. User can easily select 30s - 30min using internal controls. Sensor may increase timer automatically through self-adapting features to meet room or occupancy patterns.

Non-Volatile Memory: Learned and adjusted settings saved in protected memory are not lost during power outages.

Uses OSPxx Series Power Pack: Uses Class 2, 24 volt wiring, three wire connection (low voltage). Multiple sensors can control single or multiple power packs.

High Motion Sensivity: The large lens area and multi-element lens design give excellent range and sensitivity. The infrared sensing element is immune to air currents or fans.

Ambient Light Recognition: A photocell prevents lights from turning on when the room is adequately lit by natural light. Both "occupied" and "low-light-level and occupied" lights-on control wires are supplied.



The versatile OSWWV-IOW Occupancy Sensor can be mounted on the wall to provide full room coverage when low-hanging lights or other obstacles are present.

LEVITON SPECIFICATION SUBMITTAL

| | |
|-------------------------------------|--|
| JOB NAME: <input type="text"/> | CATALOG NUMBERS: <input type="text"/> |
| JOB NUMBER: <input type="text"/> | <input type="text"/> |

Product Specifications

OSWWV-IOW

PRODUCT SPECIFICATIONS

| Models | | | |
|-------------|-----------|-----------------------------|---------------------|
| Part Number | Lens Type | Coverage | Additional Features |
| OSWWV-IOW | Wide View | 2500 sq. ft. @ 8 ft. height | Photocell |

SPECIFICATIONS

Infrared Sensing: High sensitivity 9.8 micron sensor dual element, semiconductor type.
Lens: 110° aperture, lens opening 2.2" x 1.47", 36 elements (72 zones) small motion range 31 ft, large motion 68 ft
Self-adjusting Functions: (1) Auto reset from timer test mode, (2) self-adjusting time delay, (3) Learned occupancy patterns.

DIP switch settings

| Switch | Switch Functions | | Switch Settings |
|--------|-------------------|-----------------------|------------------------|
| | Bank A | OFF | ON |
| A1 | N/A | | |
| A2 | N/A | | |
| A3 | Manual Mode | Auto Adapting Enabled | Auto Adapting Disabled |
| A4 | Walk-Thru Disable | Walk-Thru Enabled | Walk-Thru Disabled |
| | Bank B | | |
| B1 | Override to On | Auto Mode | Lights forced On |
| B2 | Override to Off | Auto Mode | Lights forced Off |
| B3 | Test Mode | OFF ON OFF | Enter/Exit Test Mode |
| B4 | LED Disable | LEDS Enabled | LEDS Disabled |

CONTROLS

Infrared Sensitivity: 0 to 100%: red knob (factory setting: 75%)
Photocell: blue knob 20 to 3,000 Lux. Factory set at 3,000 Lux.
Timer Adjustment Manual: 30s - 30 min.

INDICATORS

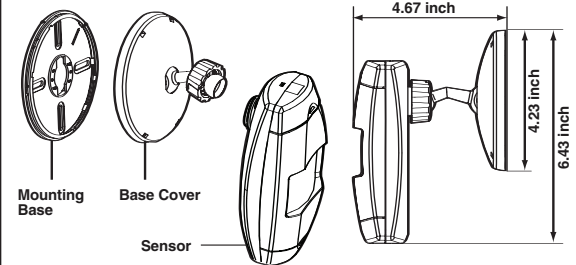
Red LED Lamp: Infrared motion detected

CONSTRUCTION

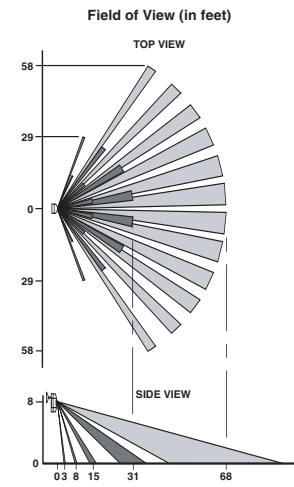
Housing: High-impact, injection molded plastic. Color coded wire leads are 6" long (16.24 cm).
Size & Weight: Sensor: 6"H x 2"W x 1.5"D, 6 oz.
Power Requirements: 24 VDC, 20mA from OSPxx power pack or OPB15 Power Base Adapter.
Output: 24 VDC active high logic control signal with short circuit protection. (blue wire). Gray wire adds photocell logic.
Operating Environment: 32°F to 104°C (0°C to 40°C); 0% to 95% relative humidity, non-condensing. For indoor use only.
Warranty: 5 years

**When the photocell function is not being used, connect the Blue Occupancy Sensor lead to the Blue Power Pack lead. When using the Photocell function, connect the Gray Occupancy Sensor lead to the Blue Power pack lead—Do not use the Blue Occupancy Sensor lead for the photocell function.*

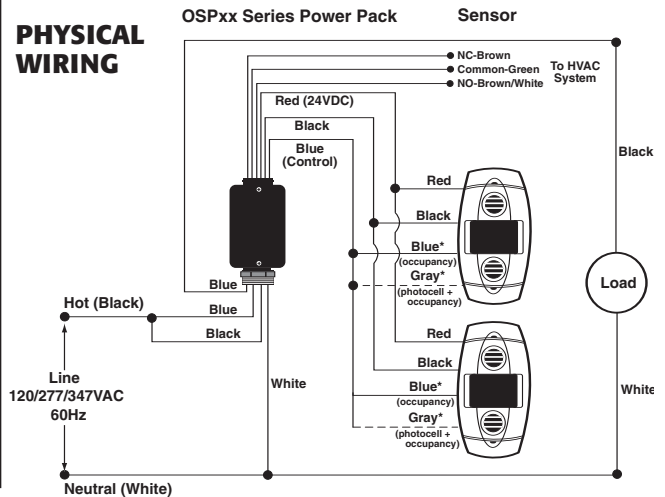
MOUNTING BRACKET



RANGE



PHYSICAL WIRING



LEVITON SPECIFICATION SUBMITTAL

| | |
|----------------------|----------------------|
| JOB NAME: | CATALOG NUMBERS: |
| <input type="text"/> | <input type="text"/> |
| JOB NUMBER: | <input type="text"/> |