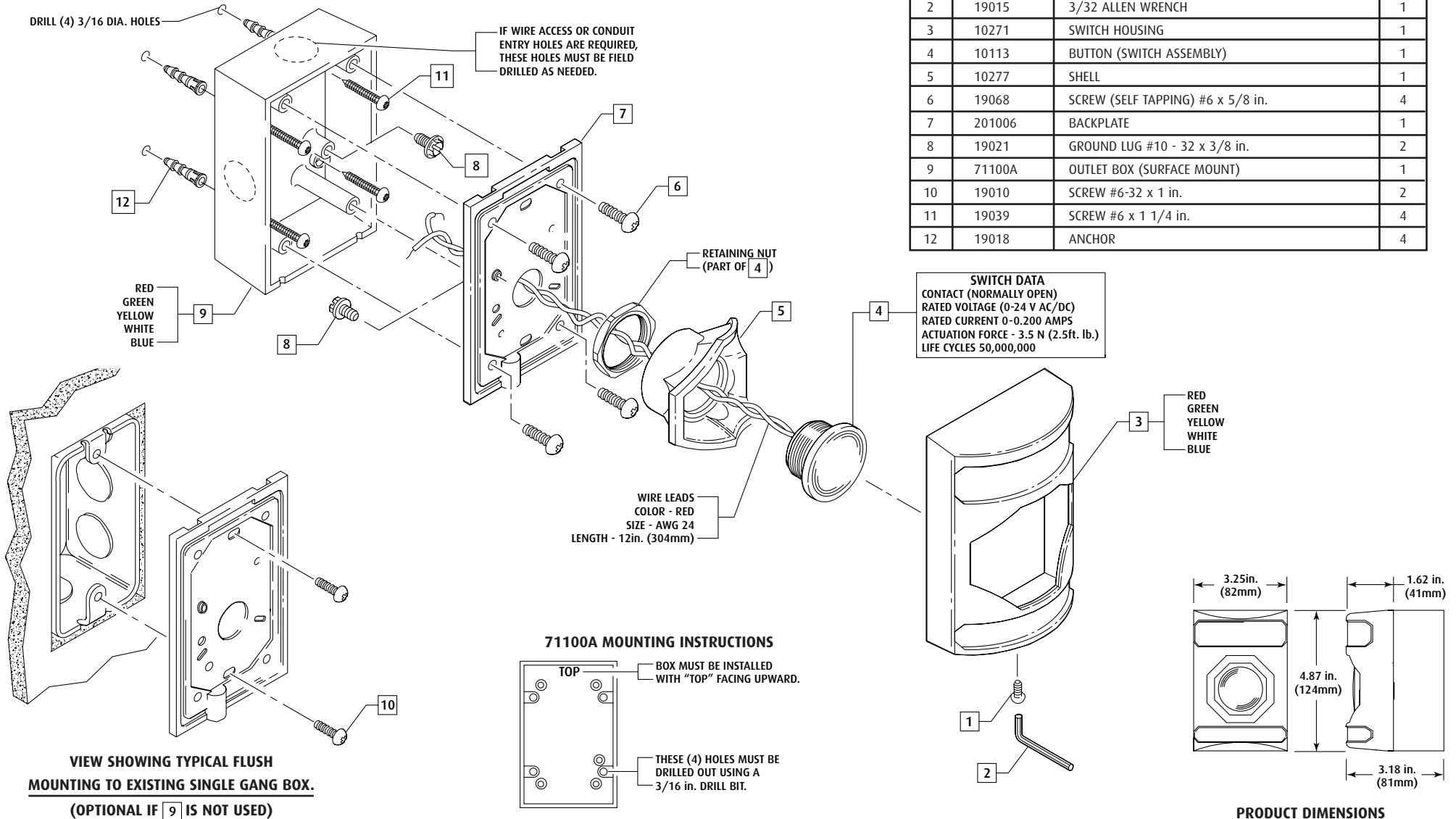




Safety Technology International, Inc.
 2306 Airport Road • Waterford, Michigan 48327-1209
 Phone: 248-673-9898 • Fax: 248-673-1246
 Toll Free: 800-888-4784 • E-mail: info@sti-usa.com
 Web: www.sti-usa.com

Safety Technology International (Europe) Ltd.
 Unit 49G Pipers Road • Park Farm Industrial Estate • Redditch
 Worcestershire • B98 0HU • England • Tel: 44 (0) 1527 520 999
 Fax: 44 (0) 1527 501 999 • Freephone: 0800 085 1678 (UK only)
 E-mail: info@sti-europe.com • Web: www.sti-europe.com

ITEM	PART NUMBER	DESCRIPTION	QTY
1	19001	SCREW (SWITCH HOUSING) 8-32 x 3/8 in.	1
2	19015	3/32 ALLEN WRENCH	1
3	10271	SWITCH HOUSING	1
4	10113	BUTTON (SWITCH ASSEMBLY)	1
5	10277	SHELL	1
6	19068	SCREW (SELF TAPPING) #6 x 5/8 in.	4
7	201006	BACKPLATE	1
8	19021	GROUND LUG #10 - 32 x 3/8 in.	2
9	71100A	OUTLET BOX (SURFACE MOUNT)	1
10	19010	SCREW #6-32 x 1 in.	2
11	19039	SCREW #6 x 1 1/4 in.	4
12	19018	ANCHOR	4



INSTALLATION OF SS-2006 MOMENTARY TOUCH TO ACTIVATE INDOOR/ OUTDOOR SWITCH ASSM.

All specifications and information shown were current as of publication and are subject to change without notice.

2006IS AUG02