

SimplyBrilliant® UPB Universal Dimming-Controller, model US2-40 Transceiver Switch Base provides ultra-reliable, 900W, control of new and existing lighting fixtures, lamps and other electrical devices. Thirteen (13) universal faceplate choices fit the US2, in 6 standard colors, meeting most décor and lighting needs. Multi-rocker/buttons control the local load and transmit Universal Powerline Bus (UPB) lighting scene-links to other UPB devices to control virtually anything connected to the powerline anywhere in the home.

Advantages

- No new wires
 - ▶ Communicates over existing power lines
 - ▶ Transmits and receives UPB lighting scenes
- UPB technology delivers...
 - ▶ Exceptional reliability and noise immunity
 - ▶ Lowest installed cost compared to hardwired and RF solutions
 - ▶ No interference between adjacent homes
- Easily configured or reconfigured with [UPStart](#) (PC) software
 - ▶ makes changing lighting scenes and control quick and easy

Features

- Interchangeable 'Universal' faceplate assemblies
 - ▶ 78 faceplate options, 13 styles x 6 standard colors
 - ▶ Change color and functionality in the field
 - ▶ Higher flexibility / lower inventory costs
- Intuitive rocker/button action
 - ▶ Adjustable (faster) response time and fade rate
 - ▶ 200 dimming steps and Resume Dim
 - ▶ Both ON/OFF and dimming capabilities
- Manual Scene-Link Modification with Rocker/Buttons
 - ▶ Add or delete devices from scene with 7 or 8 taps
 - ▶ Adjust linked devices' light level and save with 7 taps
- Patented contoured heat sink
 - ▶ Delivers cooler operation
- Thermal overload protection
- Aesthetically pleasing Blue/Green Dual LED indicator
- Dedicated Remote Switch (Model USR) connections
 - ▶ Provides inexpensive 3 or more-way control option
- Standard Faceplate Colors: White (W), Almond (A), Light Almond (LA), Ivory (I), Black (BK), Brown (BN)

Make the Switch

...from this



Single Rocker Switch, White

...to this



Quad Rocker Switch, Almond

...or even this



8-Button In-Wall Controller, White

**...without untwisting
a single wirenut!**

Interchangeable rocker faceplate assemblies allow for changes in color and upgrades in functionality in the field without disconnecting power or untwisting a single wirenut.

Specifications

Power: 120VAC +/- 10%, 60Hz
 Max Load: 900W at 120VAC (7.5A)
 (see reverse for derating details)
 Connections: 6" stranded pigtails, #16 AWG for power/load, #20 AWG for remote traveler wires

Operating Temperature: 30-120°F (0-50°C)

Physical:

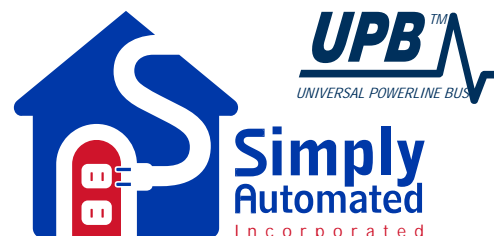
Dimensions: 4.2"H x 1.7" W x 1.6"D (107 x 43 x 41mm)
 depth inside J-box = 1.35"

Weight: 3.8 oz (108g)

Mounting: standard J-box

Wiring: Black AC Line
 White AC Neutral
 Brown Load (to fixture)

Prices and specifications are subject to change without notice.



Simply Automated, Incorporated

6108 Avenida Encinas, Suite B, Carlsbad, CA 92011 USA
 800-630-9234 • Office 760-431-2100 • Fax 760-431-2101
sales@simply-automated.com www.Simply-Automated.com

Home Automation Made Simple.

Simply Brilliant™

UPB Universal Dimming Transceiver

SimplyBrilliant® UPB Universal Dimming Transceiver Switches provide ultra-reliable control of new and existing lighting fixtures.

Each Universal Transceiver Switch has one rocker/button that controls a single load of up to 900W. Any faceplate option will control the local load 'out of the box' (factory default). UPB switches and modules are added to a UPB powerline network and configured using [UPStart](#) (PC based) software and Computer Interface Module (model UMC).



By default the US2 is set to dim incandescent, halogen and magnetic low-voltage lighting. Dimming can be disabled for On/Off control of fluorescent lights, fans, motors and other non-dimmable loads. The adjustable response time feature and fade rate function sets how quickly the output responds and dims lights on and off.

The switch base accepts any one of the 13 faceplates. Any of the faceplate buttons or rockers can be configured to control the local load or lighting scene-links. Up to 250 UPB device and 250 scene-links can be used on a powerline network to control virtually anything connected to the household wiring.

Manual scene-link modification capabilities are unique to Simply Automated devices. A user can easily change existing scenes, adding or removing devices and adjusting light levels, by pressing rocker/buttons in a specific sequence (see User Guide for details) without using UPStart.

Applications

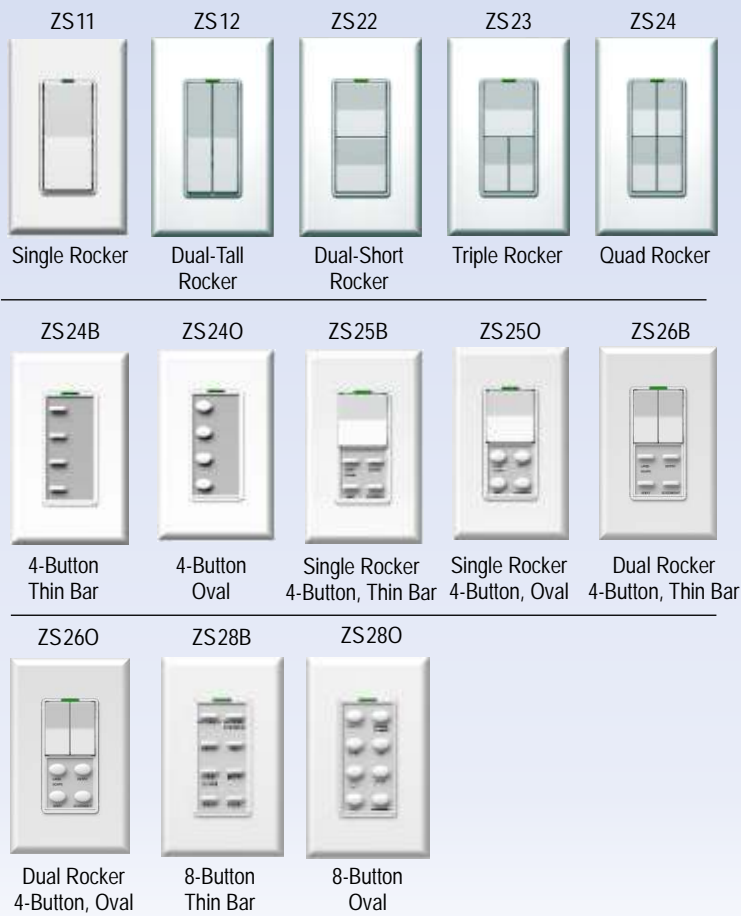
The model US2-40 is a universal solution for UPB control throughout a home. With ability to perform simple single rocker to multi-rocker/button functions, it is used in most any light control application. Custom lighting scenes at the touch of a button, in your living room, family or great room, kitchen, study master bedroom/bathroom, and office. Turn on or off all lights in your home. Automatically (Scheduler-Timer, model UCS) turn on/off outdoor garden or security lights, or provide nightlight convenience anywhere in your home. From creating a virtual 3 way switch anywhere in your home, to turning on a group of lights when your garage door is opened, door bell or phone rings, or your alarm system is armed/disarmed/alarmed, Simply Automated offers a vast array of simple and flexible solutions.

Ganging and Derating

		# of Dimmers in j-box		
		1	2	3+
# of j-box Gangs	1	600W	--	--
	2	800W	500W	-
	3+	900W	700W	500W

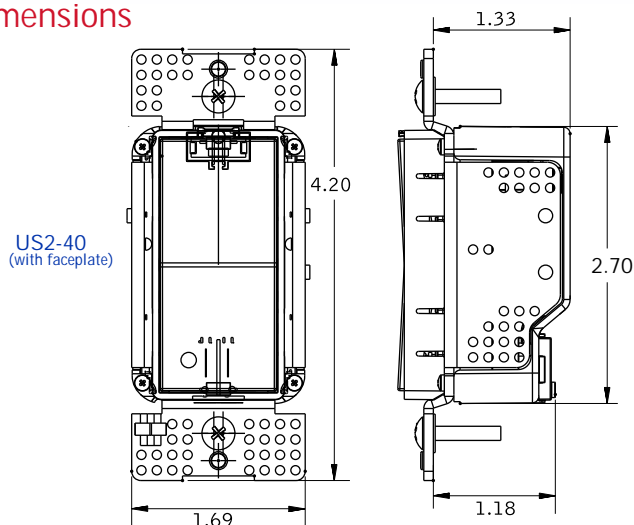
Universal Faceplate Options*

Standard (Gloss Finish) Colors : White (W), Almond (A), Light Almond (LA), Ivory (I), Black (BK), Brown (BR)



*Specify model US2-40; Universal Dimmer-Controller, Single Load, Switch Base; and ZSxxx-xx Series faceplate option (E.g. ZS26B-LA)

Dimensions



Simply Automated, Incorporated

6108 Avenida Encinas, Suite B, Carlsbad, CA 92011 USA
 800-630-9234 • Office 760-431-2100 • Fax 760-431-2101
sales@simply-automated.com www.Simply-Automated.com