

Vizia-RF™ Scene Capable Dimmers

Vizia-RF Scene Capable Dimmers are part of Leviton's Vizia-RF Wireless Home Control System. The system combines the popular Vizia™ family lighting devices with Z-Wave® award-winning RF-based home control technology to deliver the first line of truly dependable, scalable and practical wireless home control devices that will set the standard for residential control system performance for decades to come.

The Vizia-RF Wireless Home Control System provides scalable, easy-to-install, retrofit ready, remote control of appliances and lighting as well as one-button scene and zone (area) lighting control that lets you instantly create the perfect ambiance for any occasion. And, best of all, Vizia-RF does all of this without any of the interference and less-than-consistent performance of previous home control systems.

APPLICATION

Vizia-RF Scene Capable Dimmers fit in standard wallboxes and replace regular switches or dimmers to provide manual local and remote ON/OFF/DIM/BRIGHT control for Incandescent, Electronic Low-Voltage and Magnetic Low-Voltage lighting loads. Vizia-RF Dimmers also provide scene control capability when used with Vizia-RF Scene Controllers. They respond to local manual control and commands sent from Leviton Vizia-RF Controllers or other Z-Wave compatible controllers and programmers. Controlled lighting can react individually or as part of a scene or zone (area) grouping of lights through scene/zone (area) commands to provide elegant "one-touch" lighting scenes. Vizia-RF Dimmers utilize existing 120VAC 60Hz house wiring for "no-new-wires" installation.*

FEATURES AND BENEFITS

Design Platform

- Vizia-style push pad blends seamlessly with other devices in the Vizia family
- Quality construction with consistent form factor, excellent ergonomic traits and precision feel



- Return-to-neutral push pad design for preset ON/OFF control. Separate DIM/BRIGHT bar
- Push pad and DIM/BRIGHT bar ergonomically designed for precise tactile quality with distinct actuation confirmation
- 7-step green LED display alongside push pad indicates selected brightness level
- Green locator LED illuminates when load is OFF
- High-gloss finish complements a wide variety of décors
- Packaged with 3-color options for fast color changeovers (See Ordering Information). Color change kits also can be purchased separately in a variety of colors
- Fits in a single-gang wallbox
- Compatible with Decora® screwless and Decora standard designer wallplates openings.

*Neutral may be required for some installations

LEVITON SPECIFICATION SUBMITTAL

JOB NAME: <input type="text"/>	CATALOG NUMBERS: <input type="text"/>	
JOB NUMBER: <input type="text"/>	<input type="text"/>	<input type="text"/>

Product Specifications

RZI06, RZE06, RZI10, RZM10

FEATURES AND BENEFITS

Dimmer Operation

- Digital circuitry provides Soft ON/Fade OFF light switching and smooth full-range changes in brightness level for extended bulb life
- DIM-LOCK option allows dimmer to turn ON at user-programmable preset level regardless of last selected brightness level (Default setting is with DIM-LOCK OFF) (A scene level overrides DIM-LOCK)
- Programmable fade rate for ON and OFF switching (Default setting is 1.5 seconds for ON and 3.0 seconds for OFF). Fade rates can be set to 1 of 7 different settings
- Set the minimum Brightness level that the lights can dim to prior to turning OFF
- Lights turn ON at last selected brightness level (default setting) or user-programmable DIM-LOCK setting
- Manual and remote ON/OFF/DIM/BRIGHT control of connected loads
- ON/OFF/DIM/BRIGHT scene and zone control capability
- One-touch programming
- Respond to Vizia-RF Controllers as well as Z-Wave compatible controllers from other manufacturers
- Can be used for Single-Pole, 3-Way or multi-location control with choice of Remote Dimmers
- Works with Vizia-RF Matching Dimming Remote (Cat. No. RZCZ1-1L) for virtual RF 3-Way control without the need for traditional 3-Way wiring or for a dedicated traveler wire
- Works with the Vizia non-RF Coordinating Dimmer Remote (Cat. No. VZ00R-10) for hardwired 3-Way or up to 10 location control
- Two-way communication
- Pressing and holding push pad brings light to full output without affecting preset levels
- "House guest" feature allows lights to be dimmed to OFF by pressing and holding the DIM/BRIGHT bar. This leaves the preset level unaffected
- DIM/BRIGHT bar allows user to select brightness level when lights are OFF – LED displays selected level
- Programmable DIM-LOCK level, minimum brightness level and fade rates without tools or wallplate removal
- Power-failure memory allows light levels to return to the same levels set prior to a power interruption
- RFI filtering for radio, audio and video equipment
- Air gap switch totally disconnects power from load forcing an OFF condition. It is concealed during normal operation and is accessible without removing the wallplate
- Z-Wave compatible

SPECIFICATIONS

Performance

- Dimmers require 40W minimum load
- Derating required in multi-gang installations (Consult Derating/Maximum Capacity Chart below for further information)
- Transient surge protection to IEC Level 4
- ESD protection to IEC 1000 4-2 Level 4 to protect against damage and memory loss due to static discharges
- RZE06 Electronic Low-Voltage Dimmer has resettable overload protection that automatically shuts off when dimmer capacity is exceeded

Derating/Maximum Capacity

Vizia-RF Dimmers (except the RZI06) have side sections. In multi-gang installations, fin removal is required for devices with side sections and all devices must be derated in accordance with the following charts.

RZI06 Incandescent (Minimum load: 40W)

Gang	Maximum Wattage
1	600W
2	500W
3 or more	400W

RZI10 Incandescent (Minimum load: 40W)

Gang	Maximum Wattage
1	1000W
2	800W
3 or more	700W

RZM10 Magnetic Low-Voltage (Minimum load: 40VA)

Gang	Magnetic Low-Voltage Maximum VA	Magnetic Low-Voltage Maximum Bulb Wattage with 75% efficient transformer
1	1000VA	750W
2	800VA	600W
3 or more	700VA	525W

RZE06 Electronic Low-Voltage

Gang	Maximum Wattage
1	600W
2	500W
3 or more	400W

Product Specifications

RZI06, RZE06, RZI10, RZM10

SPECIFICATIONS

Operating Temperature

Operating temperature ranges from 32° F (0°C) to 131° F (55° C).
Relative humidity less than 90% non-condensing

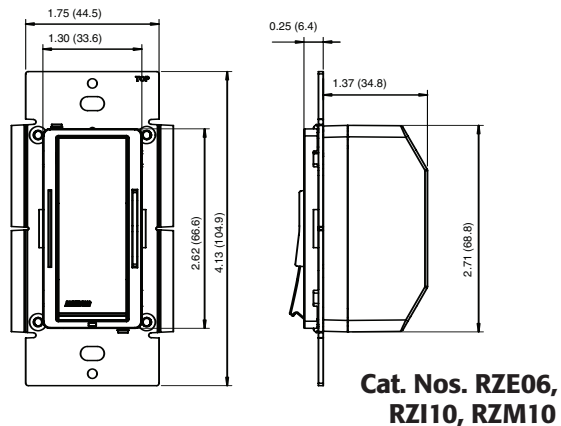
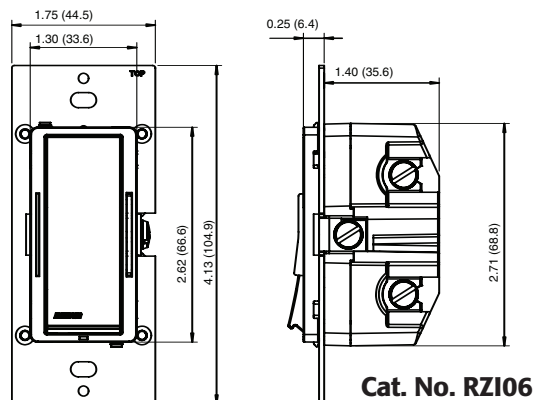
Terminations

- RZI06 has 4 screw terminals for line, load, remote and ground
- RZI10 has 4 wire leads for line, load, remote and ground
- RZE06 and RZM10 have 5 wire leads for line, load, neutral, remote and ground

INSTALLATION CONSIDERATIONS

A Z-Wave enabled device must be within 75 feet of another Z-Wave enabled device to participate in a Z-Wave wireless mesh network. Any one dimmer can be associated with no more than 5 controller devices.

DIMENSIONAL DRAWINGS



AGENCY STANDARDS & COMPLIANCE

UL Listed (File #E66800)
CSA Certified (File #152105)
NOM Certified (#057)
Complies with FCC Part 15, Class B
Z-Wave Certified

WARRANTY INFORMATION

Five-Year Limited Warranty

PROGRAMMING

See included instruction manual for programming of this device. Also see RF Handheld Remote Controller Programmer/Timer (Cat. No. RZCPG) instruction manual for additional system programming information

Product Specifications

RZI06, RZE06, RZI10, RZM10

WIRING DIAGRAM 1

Single-Pole wiring for Incandescent Dimmers.

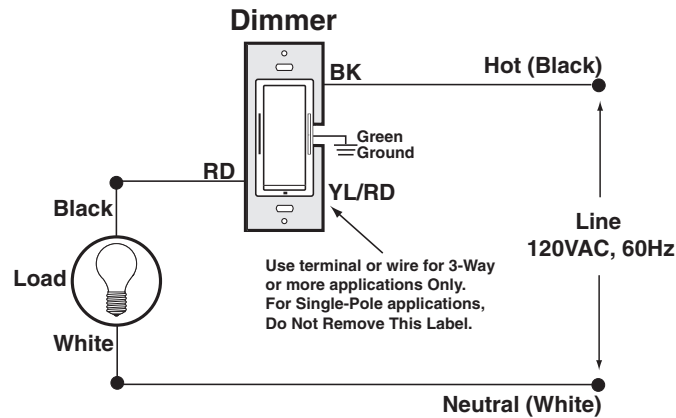
Cat. Nos.

RZI06

RZI10

NOTES:

- 1) RZI06 has screw terminals, RZI10 has leads
- 2) Red and Black leads (or terminals) are interchangeable



WIRING DIAGRAM 2

3-Way wiring for Incandescent Dimmers with Coordinating Remote.

Cat. Nos.

RZI06

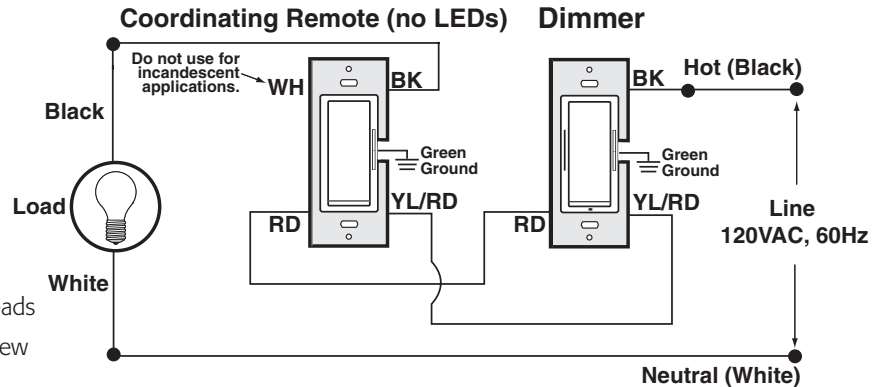
RZI10

Coordinating Remote

VZ00R-10

NOTES:

- 1) RZI06 has screw terminals, RZI10 has leads
- 2) Coordinating Remote VZ00R-10 has screw terminals
- 3) Black connections are interchangeable
- 4) Silver terminal on Coordinating Remote is unused



WIRING DIAGRAM 3

Alternate 3-Way wiring for Incandescent Dimmer with Coordinating Remote.

Cat. Nos.

RZI06

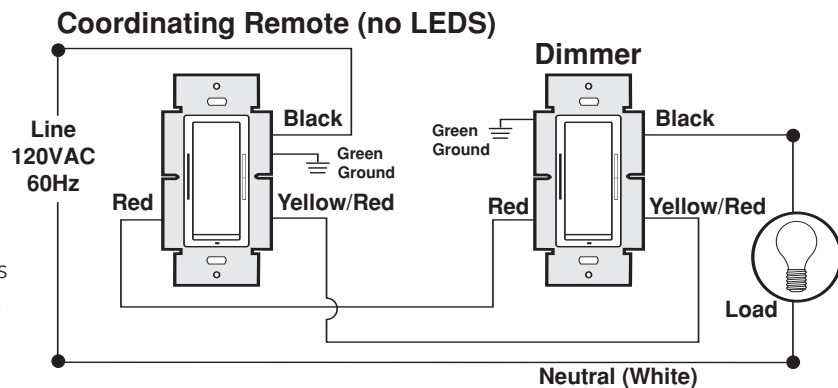
RZI10

Coordinating Remote

VZ00R-10

NOTES:

- 1) RZI06 has screw terminals, RZI10 has leads
- 2) Coordinating Remote VZ00R-10 has screw terminals
- 3) Black connections are interchangeable
- 4) Silver terminal on Coordinating Remote is unused



Leviton Mfg. Co., Inc.

59-25 Little Neck Pkwy • Little Neck, NY 11362-2591

Phone: 1-800-323-8920 • Tech Line: 1-800-824-3005 • Fax: 1-800-832-9538

Product Specifications

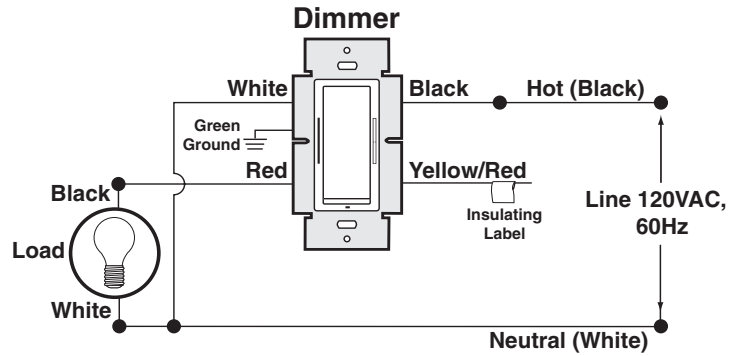
RZI06, RZE06, RZI10, RZM10

WIRING DIAGRAM 4

Single-Pole wiring for Electronic and Magnetic Low-Voltage Dimmers.

Cat. Nos.

RZE06
RZM10



WIRING DIAGRAM 5

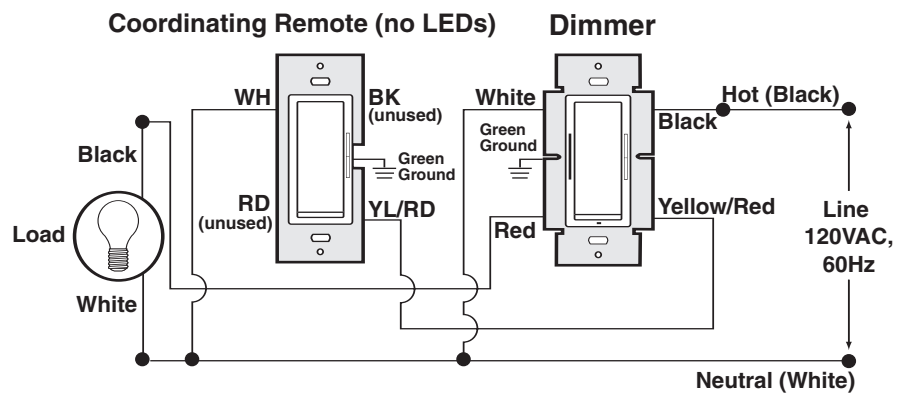
3-Way wiring for Electronic and Magnetic Low-Voltage Dimmers with Coordinating Remote.

Cat. Nos.

RZE06
RZM10

Coordinating Remote

VZ00R-10



NOTES:

- 1) Coordinating Remote VZ00R-10 has screw terminals
- 2) Red terminal on Coordinating Remotes is unused

Product Specifications

VIZIA-RF Scene Capable Dimmers

ORDERING INFORMATION

Vizia-RF Scene Capable Dimmers For Single-Pole and Multi-Location Applications

Cat. No.	Description	Rating
RZIO6-1L*	Incandescent with LED Locator and Brightness Display	600W-120VAC 60Hz
RZI10-1L*	Incandescent with LED Locator and Brightness Display	1000W-120VAC 60Hz
RZM10-1L*	Magnetic Low-Voltage with LED Locator and Brightness Display	1000VA-120VAC 60Hz
RZE06-1L*	Electronic Low-Voltage with LED Locator and Brightness Display	600VA-120VAC 60Hz

*All -1LX units are shipped with Ivory, White, and Almond color options. All -1LZ units are shipped with Ivory, White, and Light Almond color options. Color change kits also can be purchased separately for all available colors

Color Change kits

Cat. No.	Color
VZKIT-MDI	Ivory
VZKIT-MDW	White
VZKIT-MDA	Almond
VZKIT-MDG	Gray
VZKIT-MDE	Black
VZKIT-MDB	Brown
VZKIT-MDR	Red
VZKIT-MDT	Light Almond

Leviton Manufacturing Co., Inc.

59-25 Little Neck Parkway, Little Neck NY 11362-2591
Phone: 1-800-323-8920 • FAX: 1-800-832-9538 Tech Line: 1-800-824-3005

Leviton Manufacturing of Canada, Ltd.

165 Hymus Boulevard, Pointe Claire, Quebec H9R 1E9 Customer Service: 1-800-469-7890 • FAX: 1-800-563-1853

Leviton S. de R.L. de C.V.

Lago Tana 43 Mexico DF, Mexico CP 11290 Tel. (+52) 55-5082-1040 www.leviton.com.mx

Vizia and Vizia-RF are trademarks of Leviton Manufacturing Co., Inc.
Decora is a registered trademark of Leviton Manufacturing Co., Inc.
Z-Wave is a registered trademark of the Zensys® Corporation

Note: Features and specifications subject to change
Patents Pending



Visit our Website at www.leviton.com or www.viziarf.com